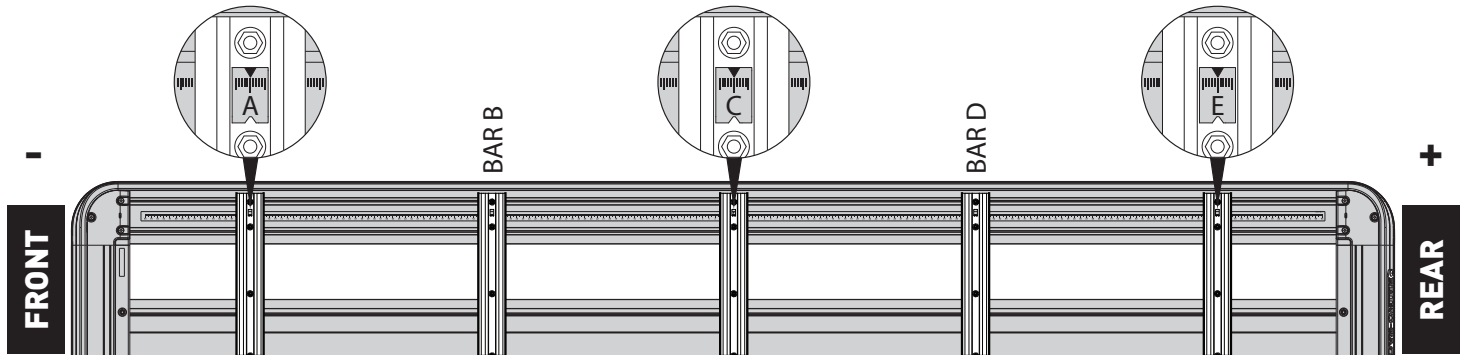


VEHICLE	PIONEER SIZE	CONNECTOR
TOYOTA Prado 150 Series	52107	RCH6

IMPORTANT NOTES	-
------------------------	---

REGION	AUS	NZ	USA	CA	EU	SA	ZA
AVAILABILITY	✓	✓			✓		✓
RUNNING DATES	Mar-03 - Nov-09	-	-	-	-	-	-

UNDERBAR SPACING



BAR NO.	A	B	C	D	E	F	G
DIMENSION (CM)	-61.2	-15.6	20.8	48.4	73.5	-	-
SPACERS REQ'D	QMVA05	-	-	QMVA05	QMVA05	-	-

VEHICLE LOAD LIMIT (kgs / lbs)	SYSTEM WEIGHT (kgs / lbs) PLATFORM + CONNECTOR	ON-ROAD CARGO ALLOWANCE (kgs / lbs)	OFF-ROAD CARGO ALLOWANCE (kgs / lbs)
80 / 176.4	32.2 / 71	47.8 / 105.4	31.9 / 70.3

NOTES FOR DEALERS / FITTERS

It is your responsibility to ensure these fitting instructions are given to the end user or client.

Document No: R2309
 Issue No: 0
 Issue Date: 21/10/2019

These instructions remain the property of Rhino-Rack Australia Pty. Ltd. and may not be used or changed for any other purpose than intended.