



INSTALLATION INSTRUCTIONS LARGE-FRAME WIRE ROPE TENSIONER KIT

The wire rope tension plate can be installed to any of the tie rods on the winch. The tensioner works equally well in all positions.

1. Remove the two bolts holding one tie rod and slip the tie rod through the tensioner plate as shown in **FIGURE 1**.

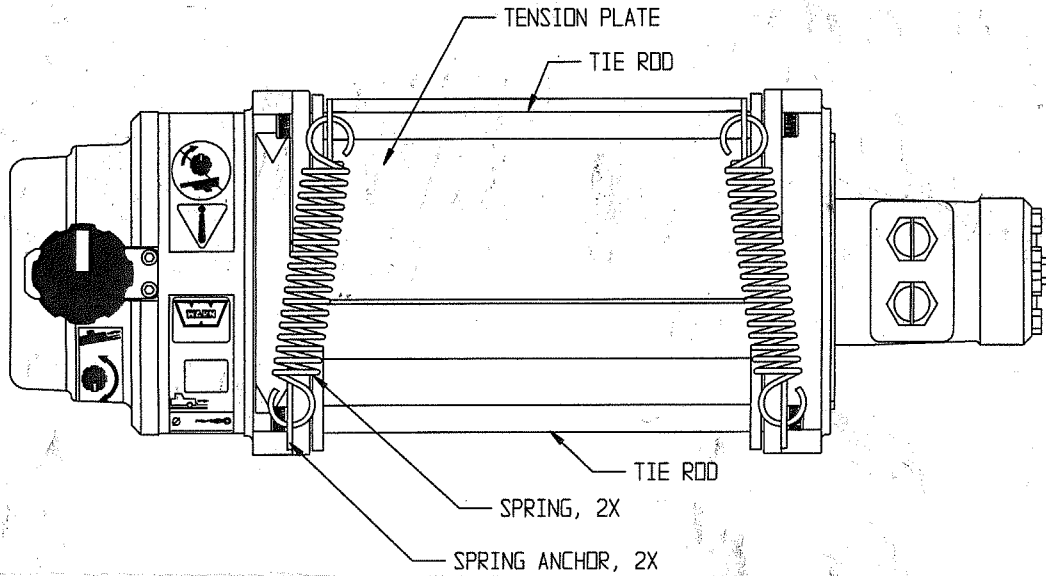


FIGURE 1

2. Replace the tie rod and bolts and torque to 18-22 Lb.-ft. (24.4-29.8 N•m).
3. Remove the two bolts on the other tie rod. Leave the tie rod in place, position the spring anchors between the bolt heads and the drum supports as shown in **FIGURE 2**. Torque the bolts to 18-22 Lb.-ft. (24.4-29.8 N•m).

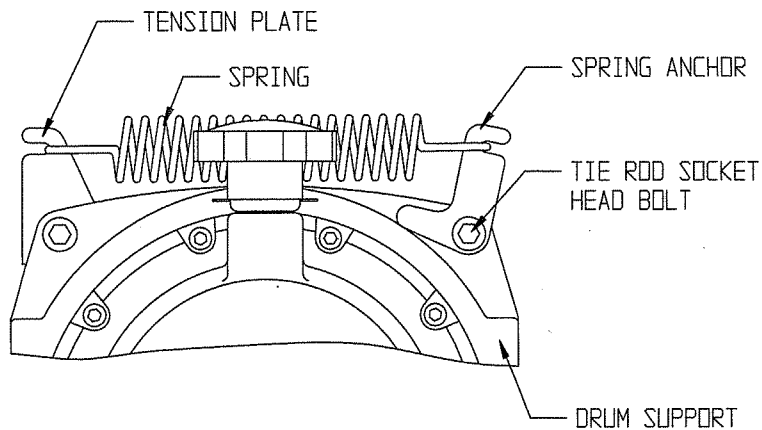


FIGURE 2

4. Connect the springs to the hooks on the tension plate and the spring anchors. Installation is now complete.
WIRE ROPE INSTALLATION NOTE: When installing a new wire rope, unhook the tensioner springs to ease placement of the wire rope end into the rope anchor. After tightening the rope anchor on the drum, re-connect the springs before winding rope onto the drum.