



FITTING INSTRUCTIONS

Part Number: **5440200**

Product Description: UNDER VEHICLE PROTECTION

Suited to vehicle/s: FORD RANGER PX AND MAZDA BT-50 (2012/ -)

Please place these instructions in vehicle glovebox when complete.

WARNING

REGARDING VEHICLES EQUIPPED WITH SRS AIRBAG:

When installed in accordance with these instructions, the vehicle protection panels do not affect operation of the SRS airbag.

ALSO, NOTE THE FOLLOWING:

- ◆ This product must be installed exactly as per these instructions using only the hardware supplied.
- ◆ Do not use this product for any vehicle make or model, other than those specified by ARB.
- ◆ Do not remove labels (if any) from this product.
- ◆ This product or its fixing must not be modified in any way.
- ◆ The installation of this product may require the use of specialized tools and/or techniques
- ◆ These instructions are correct as at the publication date. ARB Corporation Ltd. cannot be held responsible for the impact of any changes subsequently made by the vehicle manufacturer
- ◆ During installation, it is the duty of the installer to check correct operation/clearances of all components
- ◆ Work safely at all times
- ◆ Unless otherwise instructed, tighten fasteners to specified torque

ARB 4x4 ACCESSORIES

Corporate Head Office

42-44 Garden St
Kilsyth, Victoria
AUSTRALIA 3137

Tel: +61 (3) 9761 6622
Fax: +61 (3) 9761 6807

Australian enquiries
North & South American enquiries
Other international enquiries

sales@arb.com.au
sales@arbusa.com
exports@arb.com.au

www.arb.com.au

IMPORTANT INFORMATION. GENERAL CARE AND MAINTENANCE

By choosing ARB vehicle protection, you have bought a product that is one of the most sought after 4WD products in the world. Your under vehicle protection panels are a properly engineered, reliable, quality accessory that represents excellent value.



- While these panels have been engineered for strength and functionality care and good judgment should be taken when traversing difficult off-road conditions to minimise damage to panels and vehicle.
- During servicing when panels are removed ensure fasteners are re-fitted to the correct torque values.
- Inspect panels visually on a regular basis. Dirt and foreign matter should be washed out to minimise build-up around hot components. **BE VERY CAREFUL** when removing foreign matter with hands while vehicle is hot or running. Replace any components as necessary. This service can be performed by your local authorized ARB Stockist.

FITTING REQUIREMENTS

REQUIRED TOOLS FOR FITMENT OF PRODUCT:

BASIC TOOL KIT	TORQUE WRENCH 22-44Nm
AIR SAW/MULTI TOOL	

HAVE AVAILABLE THESE SAFETY ITEMS WHEN FITTING PRODUCT:

Protective eyewear	
Hearing protection	

NOTE: 'WARNING' notes in the fitting procedure relate to OHS situations, where to avoid a potentially hazardous situation it is suggested that protective safety gear be worn or a safe work procedure be employed. If these notes and warnings are not heeded, injury may result.

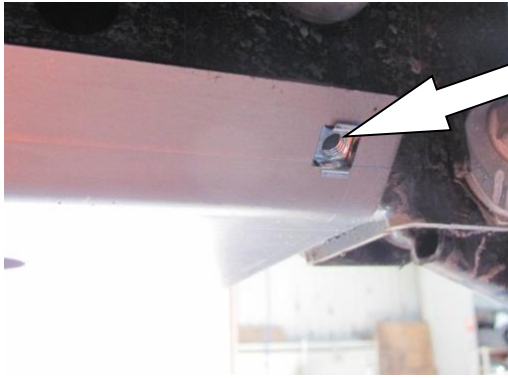
FASTENER TORQUE SETTINGS:

SIZE	Torque Nm	Torque lbft
M6	9	7
M8	22	16
M10	44	32
M12	77	57

PARTS LISTING

APPLICATION.	PART NO.	QTY.	DESCRIPTION.
FIT FRONT PANEL	6522866	1	FRONT UVP ASSEMBLY
	6151357	1	BOLT M10 SEMS
	6151321	2	NUT M10 FLANGE
	6151456	3	BOLT M10 X 45 MM
	4581083	3	WASHER FLAT M10
	4581048	3	WASHER SPRING M10
	3194376	1	WASHER SPACER 10 MM Ø 35 x 12MM
	6151303	3	NUT CAGE M8
FRONT PANEL TO OEM BUMPER ONLY	4581032	2	SPACER WASHER Ø 16 x 32 x 14MM
FIT SUMP PANEL	6522867	1	SUMP UVP ASSEMBLY
	3194375	2	PLATE SPACER 6 MM
	6151357	1	BOLT M10 SEMS
	3199915	1	CAGE NUT PLATE M10
	6151304	1	NUT M10 CAGE
	6151456	2	BOLT M10 X 45 MM
	4581083	2	WASHER FLAT M10
	4581048	2	WASHER SPRING M10
	6151022	3	BOLT M8 X 25
	4581046	3	WASHER SPRING M8
	4581044	3	WASHER FLAT M8
	FIT TRANSMISSION MOUNT	3194799	1
3199915		1	CAGE NUT PLATE M10
6151304		1	NUT M10 CAGE
6151357		2	BOLT M10 SEMS
FIT TRANSMISSION PANEL	6523060	1	TRANSMISSION UVP ASSEMBLY
	6151357	2	BOLT M10 SEMS
	6151321	2	NUT M10 FLANGE
	6151022	3	BOLT M8 X 25
	4581046	3	WASHER SPRING M8
	4581044	3	WASHER FLAT M8
	6151132	3	NUT FLANGE M8
FIT TRANSFER PANEL	6522872	1	TRANSFER CASE UVP

FITTING PROCEDURE



1. Remove original stone shields from vehicle. Insert 3 x Ø M8 cage nuts to rear of supplied front panel as shown.



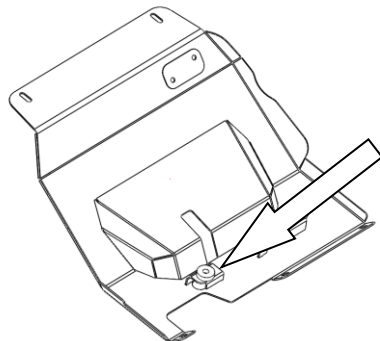
2. Trim plastic air dam using an air saw / multi tool.

Measure 20 mm up from corner and 80 mm back. Mark a cut line between the points as shown.

NOTE:

Installation of the front panel may require additional material removed.

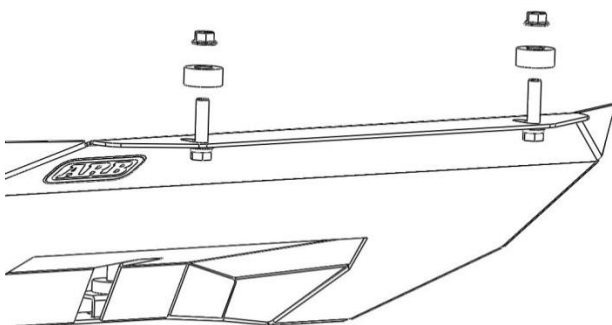
If required, cut additional material in small increments until a clearance of 10 mm is achieved between the air dam and the front panel.



If recovery point is fitted skip to next step.

3. Place Ø 35 mm x Ø 12 mm x 10 mm washer spacer as shown.
4. Place panel up to vehicle and secure to original points in chassis using Ø M10 SEMS bolt on the lower RH side and an Ø M10 x 45 mm bolt, spring & flat washer on the lower LH side.

NOTE: Leave finger tight.



When vehicle is equipped with an original vehicle bumper;

5. Place 2 x spacer washers provided between the vehicle and the UVP.
6. Secure front of panel using 2 x Ø M10 x 45 mm bolt, spring & flat washer.

NOTE: Leave finger tight.

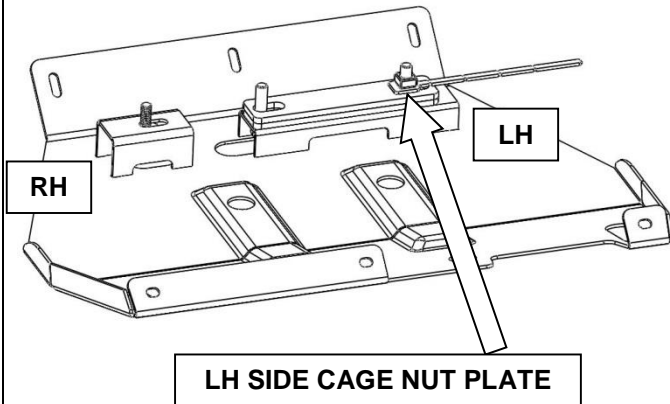
FITTING PROCEDURE



When vehicle is equipped with a bullbar;

7. Secure front of panel using 2 x \varnothing M10 mm x 45 mm bolt, spring & flat washer.

NOTE: Leave finger tight.



If recovery point is fitted, skip to next step.

8. Place two 6 mm plate spacers on the sump panel as shown.
9. Lift sump panel into position and secure to chassis cross member using \varnothing M10 SEMS bolt on the RH side, Place \varnothing M10 x 45 mm bolt, flat & spring washer for the middle and LH side. On the LH side only, insert cage nut plate and \varnothing M10 cage nut.

Important:

If recovery point is fitted, retain recovery point cage nut plate for fitment.

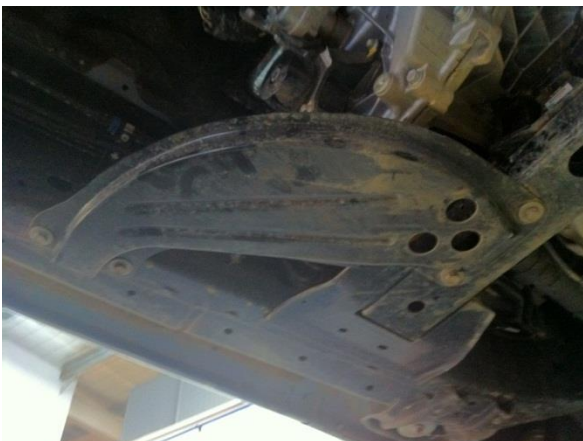
Insert cage nut plate from access hole in top of cross member.

NOTE: Leave finger tight.



10. Secure sump panel to front panel using 3 x \varnothing M8 x 25 bolts, \varnothing M8 spring washers and \varnothing M8 flat washers.

NOTE: Leave finger tight.



11. Remove and discard OEM shield from transfer case.

FITTING PROCEDURE



12. Fit transmission mount to transmission cross member using 2 x \varnothing M10 SEMS bolts, \varnothing M10 cage nut and cage nut plate. Only the RH side needs a cage nut & plate. Ensure plate is aligned with cross member. Make sure slotted mounting points face rearwards.
13. Tighten mounting plate fasteners to prescribed torque settings now.



44 Nm.



14. With the help of another person or a jack lift the transmission panel into place and secure the front section using 3 x \varnothing M8 x 25 bolts, spring washer, flat washers and flange nuts.

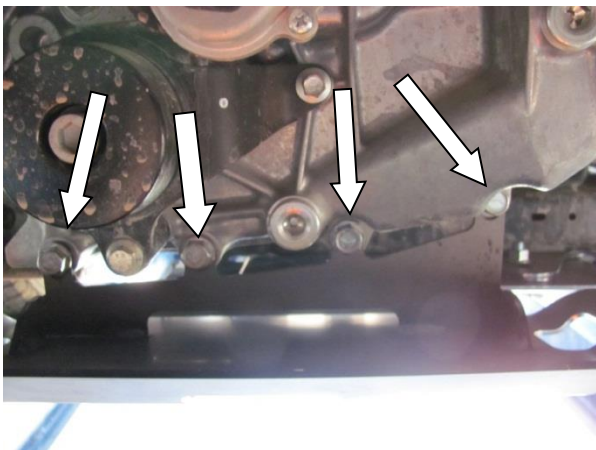
NOTE: Leave finger tight.



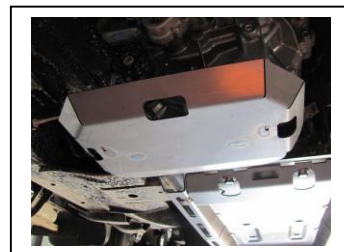
15. Secure rear of transmission panel using 2 x \varnothing M10 SEMS bolts and \varnothing M10 flange nuts.
16. Once done, tighten ALL bolts to prescribed torque;

M8 fasteners;  22 Nm.

M10 fasteners;  44 Nm.



17. Remove four bolts from rear of transfer case as shown. A drip tray should not be needed but may be wise to have. Place transfer panel up to case and secure using bolts removed.
18. Torque to vehicle manufactures specification.



FITTED PRODUCT

