

FITTING INSTRUCTIONS

Document Title:
FI-290FLK

Model Number:
SA290-FLK
LED Fog Light Kit

Application:
SA290BL290
SA290BL291


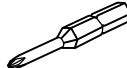
Fitting Time:
Minimum 15 mins

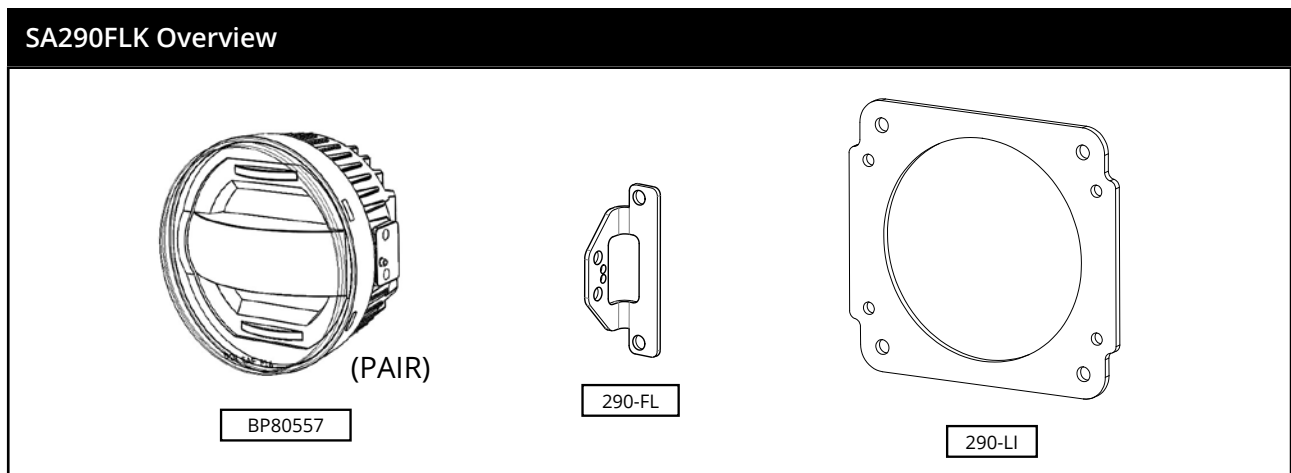
Revision:
B (23 August 2022)



- Please take the time to read the instructions thoroughly before proceeding with fitment of the StealthBar.
- This kit Includes Wiring Harness; not plug & play.
- All wiring should be completed by a qualified auto electrician. SmartBar bears no responsibility for any electrical failure caused by the incorrect fitment of the lamps.

SA290FLK - Fog Light Kit			
Code	Description	Qty	OK
MM81166	290-FL	4	
BP80728	290-LI	2	
BP80557	LED FOG/DRL LIGHT KIT (PAIR)	1	
BP1145	8-15 X 15 Button Stitch Screw	16	
Packed By		Date	

Tools Required	
	
Drill, Impact Driver	Phillips Head Drill Bit

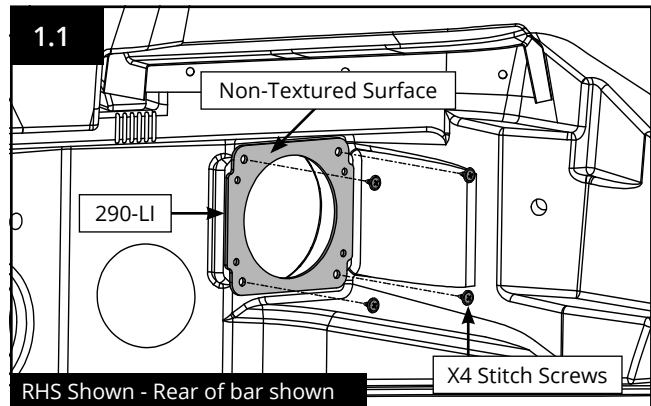


LED Fog Light Kit Installation

1.1 Fix 290-LI plate to the bar using the fasteners as shown.

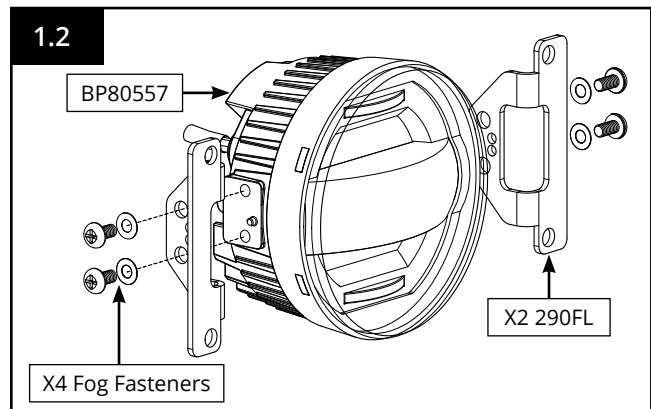
Repeat on the other side.

NOTE: The plates should sit central to the bar foglight holes. Ensure that the textured surface faces front of bar.



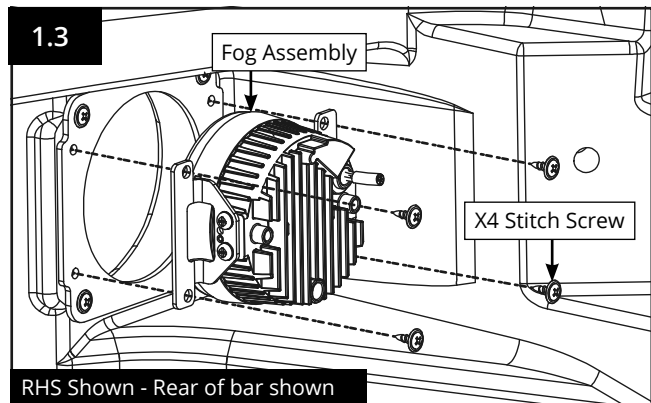
1.2 Mount the 290-FL brackets to the light, using the hardware as shown.

Repeat on the other side



1.3 Using the stitch screws provided, mount the fog light to the bar as shown.

Repeat on the other side.



1.4 290-FLK installation complete.

Connect wiring to the vehicle and connect lights when bar is installed.

 **All wiring should be completed by a qualified auto electrician.**

