



DRAWER SYSTEMS

Part Number: **MAP21ECFKEK**
Product Description: **DRAWER FITTING KIT AND SIDE FLOOR SYSTEM**
Suited to Vehicle: **FORD RANGER EXTRA CAB 2022 ON**

WARNING

- ◆ Care must be taken to ensure the vehicle is not damaged.
- ◆ Some parts of this operation require a 2-person lift.
- ◆ After drilling the vehicles body, it is essential to treat the bare surfaces to prevent rust.
- ◆ This product must be installed exactly as per these instructions using only the hardware supplied
- ◆ These instructions are correct as at the publication date
- ◆ During installation, it is the duty of the installer to check correct operation/clearances of all components
- ◆ Work safely at all times

ARB 4x4 ACCESSORIES

Corporate Head Office

www.arb.com.au

42-44 Garden St
Kilsyth, Victoria
AUSTRALIA 3137

Tel: +61 (3) 9761 6622
Fax: +61 (3) 9761 6807


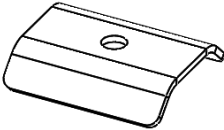
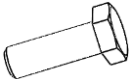






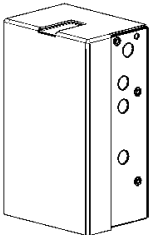
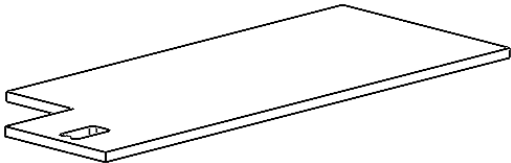
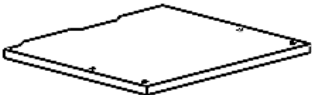



Australian enquiries
North & South American enquiries
Other international enquiries

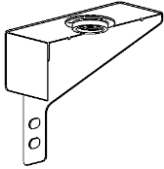

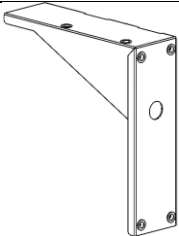
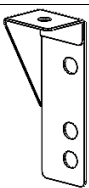
sales@arb.com.au
sales@arb.com.au
exports@arb.com.au

REQUIRED TOOLS FOR FITMENT OF PRODUCT:

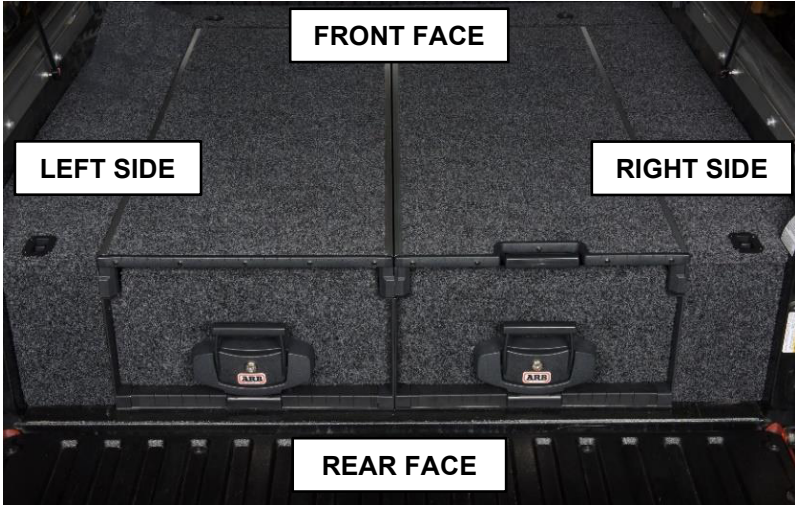
Phillips head screwdriver	Trim removal tools
Spanner set	Socket set
Touch up paint	Ruler / Tape measure
Drill	11mm drill bit
General hand tools	Centre punch
Utility knife	

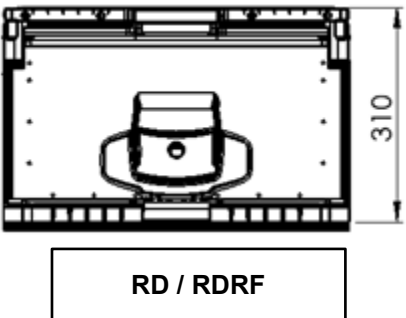
PARTS LISTING

PART	QTY	DESCRIPTION
	2	HIGH-PROFILE TOP HAT MOUNT
	8	FLOOR PLATE
	8	BOLT M10 X 30
	8	NUT M10 NYLOC
	8	WASHER M10 FLAT
	36	BOLT M6 X 12
	16	NUT M6 NYLOC
	4	SCREW M6 X 16 (BLACK)
	12	SCREW CSK M6 X 20 (BLACK)
	1 X LH 1 X RH	SIDE FILL PANEL - ASFP
	1 X LH 1 X RH	SIDE FLOOR REAR
	1 X LH 1 X RH	SIDE FLOOR MID
	1 X LH 1 X RH	SIDE FLOOR FRONT
	1 X LH 1 X RH	EXTENSION FLOOR
	1	SILL TRIM

	1 X LH 1 X RH	FRONT BRACKET - FBRK
	1 X LH 1 X RH	SIDE BRACKET FRONT - SBRKF
	1 X LH 1 X RH	SIDE BRACKET REAR - SBRKR
	2 X LH 2 X RH	EXTENSION FLOOR BRACKET - EFBRK

NAMING CONVENTION FOR DRAWERS

	<p>Drawers naming convention is defined from the point of view of the driver.</p> <p>Front faces of drawers are closest to the front of the vehicle</p> <p>The rear face of the drawers is closest to the tailgate/back of the vehicle.</p>
---	---

	<table border="1"> <thead> <tr> <th>Drawer</th> <th>External height (mm)</th> </tr> </thead> <tbody> <tr> <td>RD – ROLLER DRAWER (FIXED TOP)</td> <td>310</td> </tr> <tr> <td>RDRF – ROLLER DRAWER ROLLER FLOOR</td> <td>310</td> </tr> </tbody> </table>	Drawer	External height (mm)	RD – ROLLER DRAWER (FIXED TOP)	310	RDRF – ROLLER DRAWER ROLLER FLOOR	310
Drawer	External height (mm)						
RD – ROLLER DRAWER (FIXED TOP)	310						
RDRF – ROLLER DRAWER ROLLER FLOOR	310						

Section 1: Frame preparation.

Section 2: Drawer preparation (RD and RDRF drawers)

Section 3: Vehicle preparation.

Section 4: Vehicle installation.

Section 5: Reassembly.

Section 6: Floor panel installation.

FRAME PREPARATION



Remove fixed top.

Using a 4mm allen key remove the countersunk setscrews along both sides of the floor.

Retain hardware for reinstallation.



Optional: Remove roller floor top.

It's recommended to complete this step for better accessibility however it is not essential.

It can save time to leave the roller floor attached to the drawer. The floor can always be removed later, once the drawer and vehicle preparation steps have been completed and the installer can determine whether or not increased access to mounting points is required.

Using a Phillips head screw driver, remove the 4 x screws (2 per side) retaining the roller floor stops.

Roll the floor out clear of frame. The floor stops will fall free.

Retain stops and hardware for reinstallation.



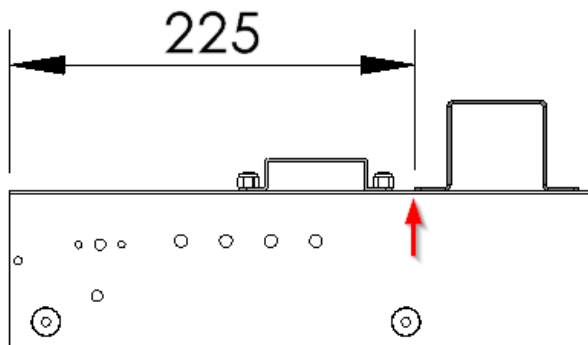
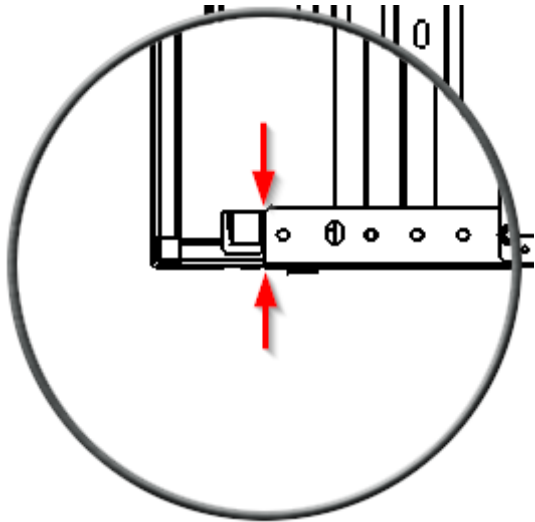
Remove drawer.

Working from inside the drawer, remove the 4 x M6 bolts (2 per side) towards the front of the drawer.

Roll the drawer out clear of frame. The drawer stops will fall free.

Retain stops and hardware for reinstallation.

DRAWER PREPARATION



Attaching mounting brackets.

Attach the 2 high-profile top hat mounts supplied in the kit to the bottom face of the drawer frame.

Position of the top hats over the existing holes as shown in the BOTTOM VIEW image below.

2 sets of dimensions are shown for positioning reference. One is taken from the rear face of the drawers. The other from the end of the bottom fold on the drawers, see upper left.

Note : Dimensions are to the edge of the top hat, see lower left

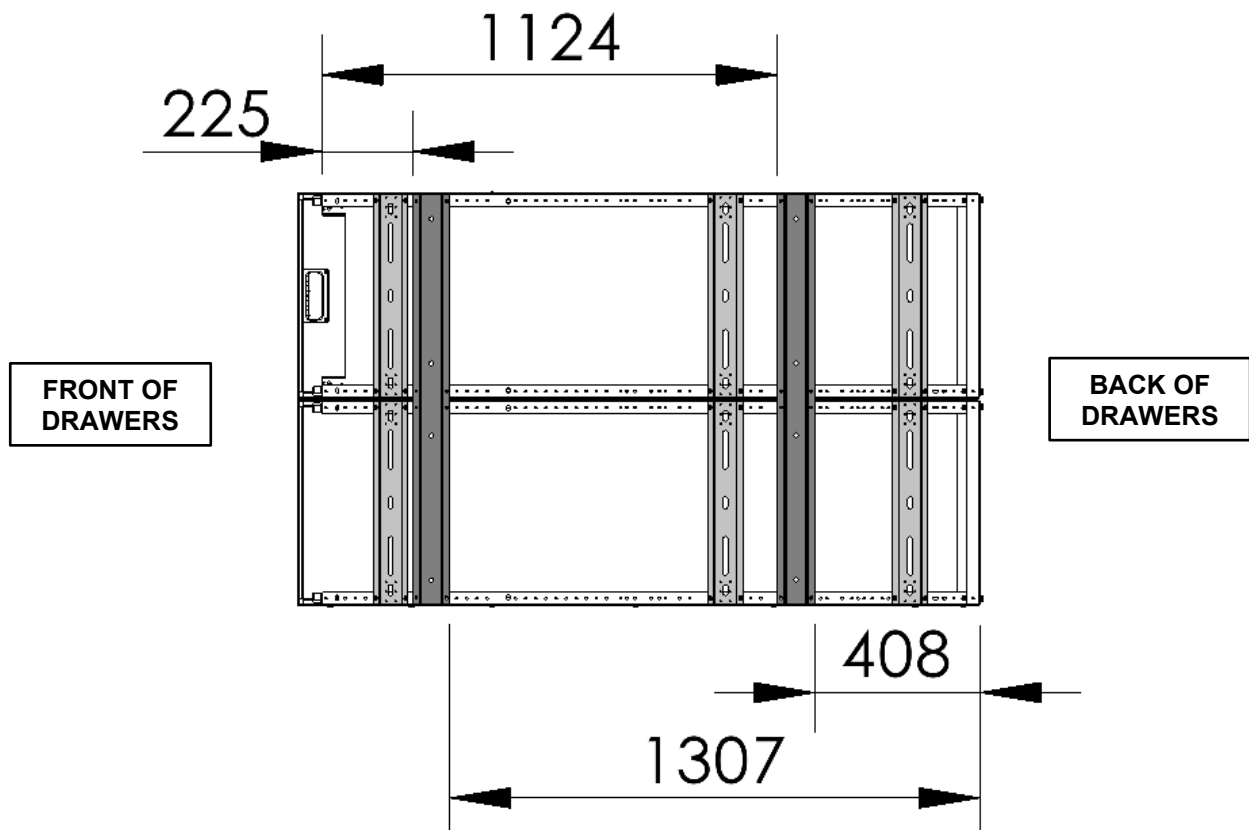
Secure using the 8 x M6 x 12mm bolts and M6 nylock nuts per drawer supplied in the kit.



9Nm / 7lbft.

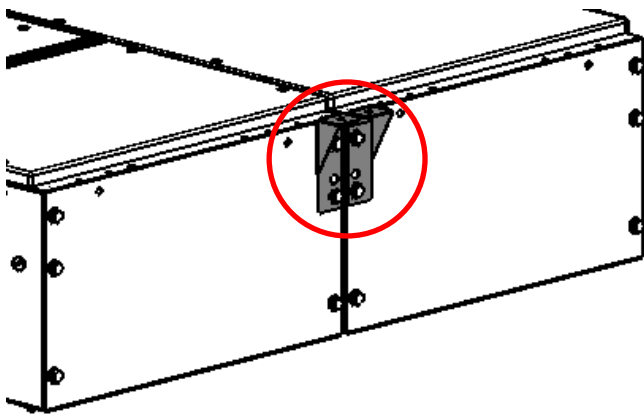
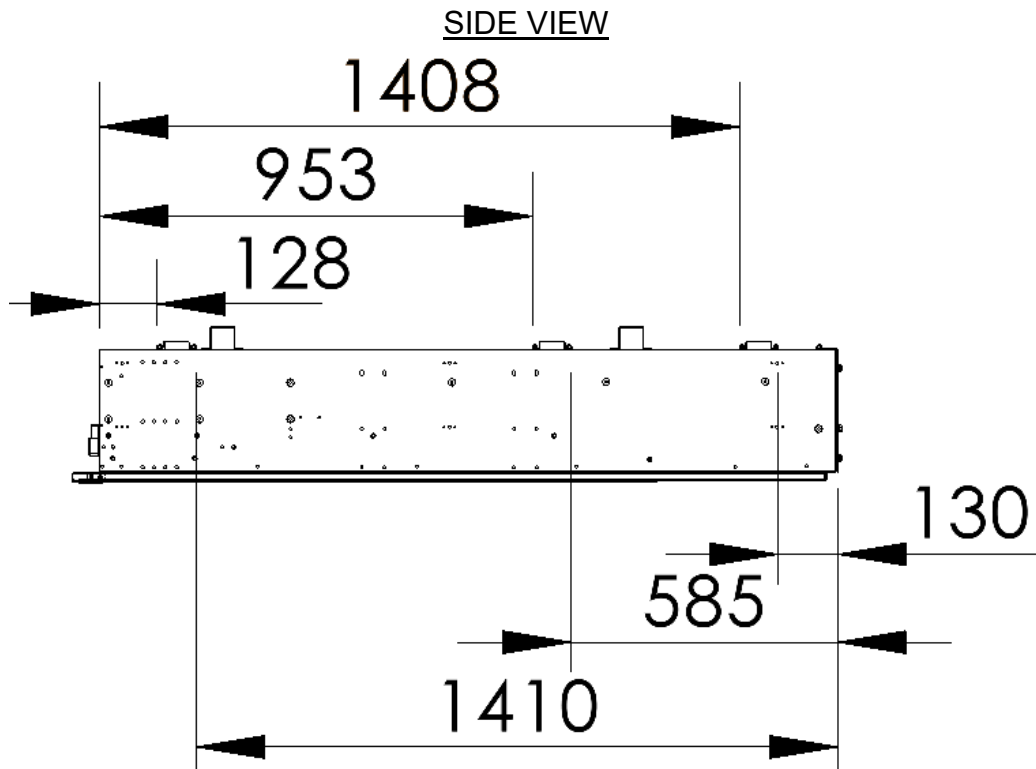
Note: loosening of bolts to adjust washers to clear mounting location for high-profile top hats may be required.

BOTTOM VIEW



Drawer top hats

The image below shows reference dimensions to the low top hats which come attached to the drawers. These top hats do not need repositioning, the image is for reference purposes.



END VIEW

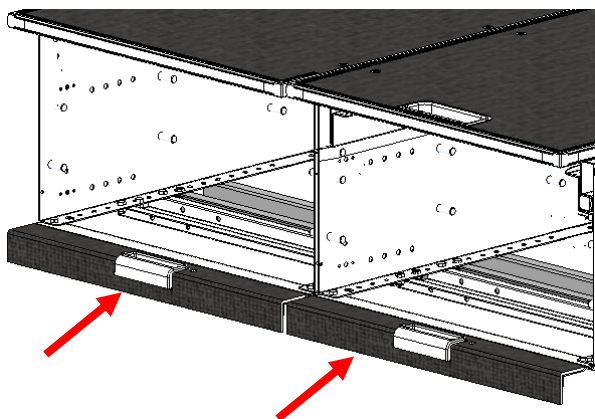
Extension floor brackets.

Using the image to the left as a guide, remove 2 bolts from both drawers (4 in total).

Attach two of the extension floor brackets to the front face of the drawers and secure the brackets using the drawer bolts just removed.

Check the image for bracket orientation.

Do not tighten.



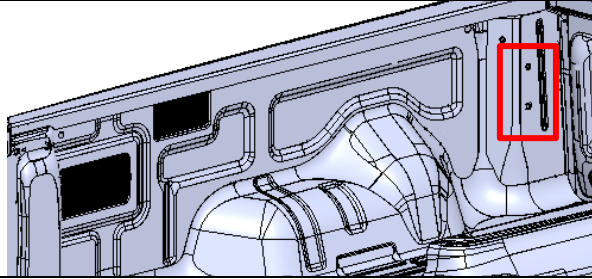
Carpeted drawer locking bracket.

Refer to Section 4 in the RD & RDF 1730 Single Module installation instructions which come with the drawer.

Attach the carpeted right-angle brackets to the underside bottom front of the drawers using x4 M6x12 bolts and nyloc nuts.

These parts and fasteners come with the drawers.

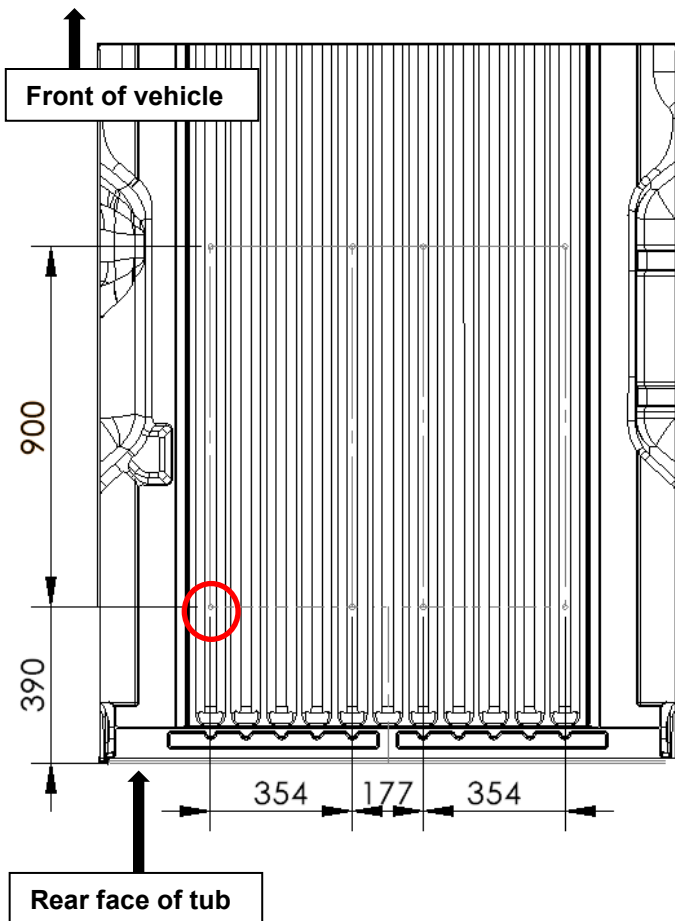
VEHICLE PREPERATION



Remove tie down points.

From the back corners of the tub, remove x2 tie down points. Reattach the screws used to mount the tie downs back into the holes in the tub.

Left-hand side location highlighted in image left.



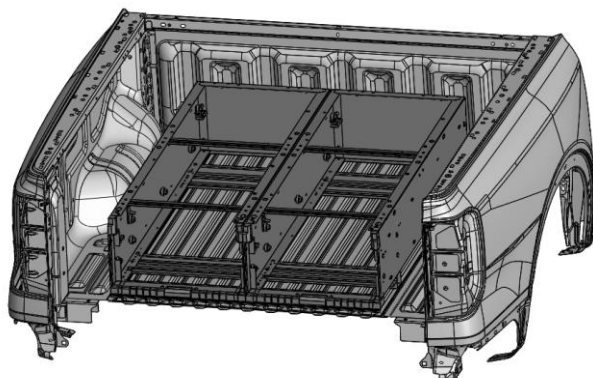
Mark first mounting hole.

Measure from the outside of the plastic trim on vertical face at the bottom rear of the vehicle tub.

Measure 390mm from the outside of the plastic trim, towards the front of vehicle (in line with outer most raised surface of the tub floor) and place a mark. See highlighted location left.

If there is no plastic trim on the edge of the rear face, measure 384mm.

All hole locations are to be marked in the centre of the raised surface on the tub floor.



Position drawers into vehicle for marking.

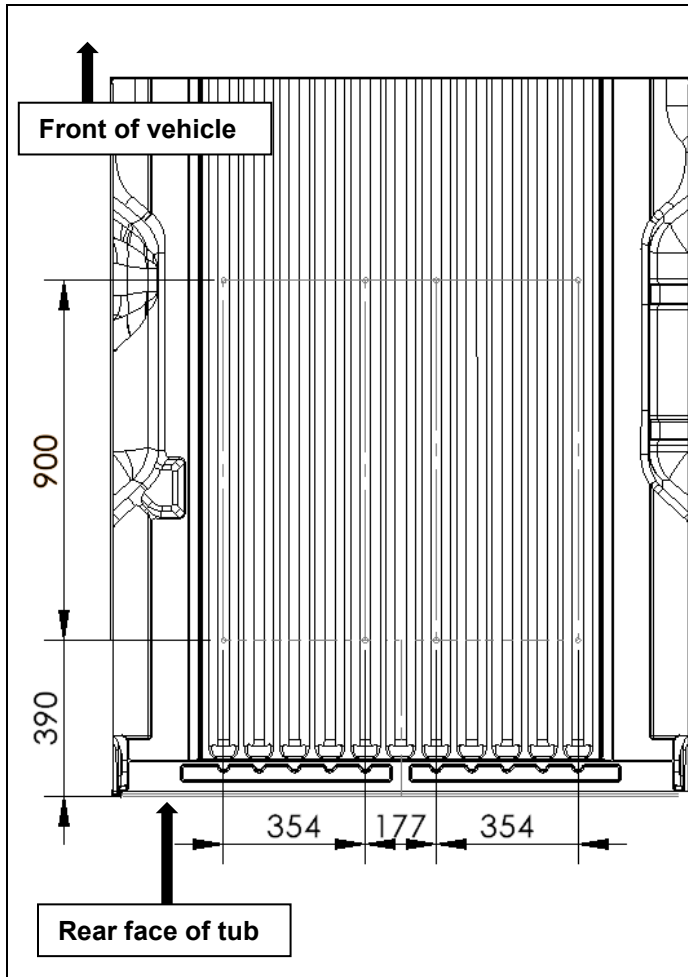
Using 2 people carefully lift the drawer frames into the rear of the vehicle taking care not to scratch the vehicle.

Adjust drawer frames to align hole from high-profile top hat mount with marking in previous step.

Ensure the drawers are centred in the tub and proceed to **mark remaining hole locations for drilling.**

Using 2 people carefully remove the drawer frames from the vehicle.

Before proceeding to next step measure and check all markings are located correctly.



Drilling mounting holes.

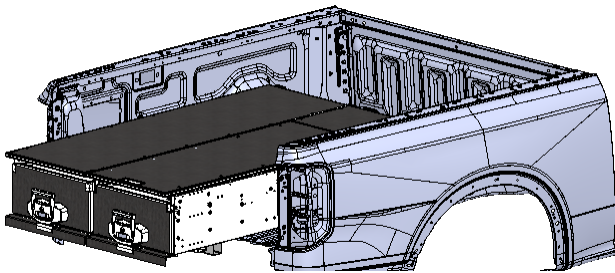
Before drilling any holes check all markings are located correctly.

Proceed to drill the 4 x 11mm holes per top hat mount

Drilling through heat shield on underside of tub may be required for correct mounting.

Note: treat drilled holes with paint to prevent rust.

VEHICLE INSTALLATION

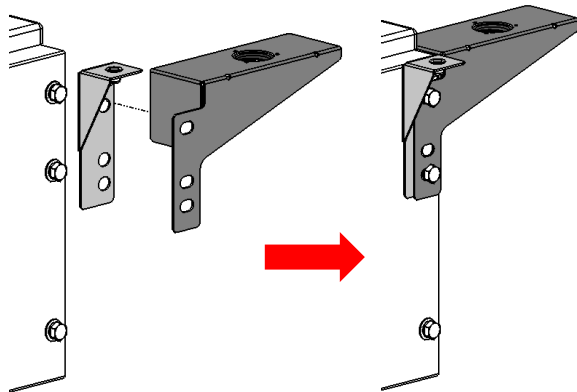


Install drawers into vehicle.

Using 2 people carefully lift the drawer frames into the tub, taking care not to scratch the vehicle.

Ensure the front of the drawers remain resting on the tailgate to allow plenty of room between the drawers and the end of the tub.

Do **not** slide the drawers all the way into the vehicle yet.

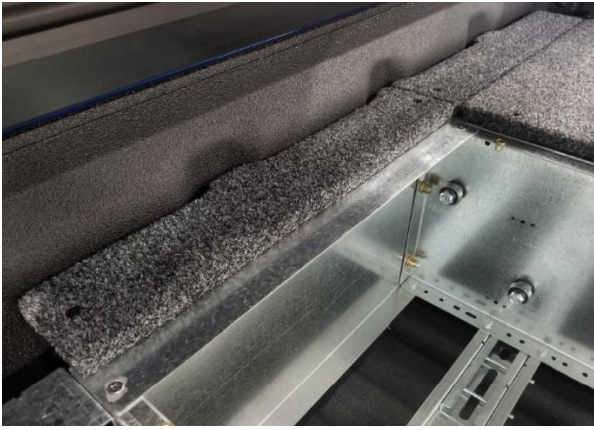


Front and extension floor brackets.

Attach the remaining two extension floor brackets and the front brackets to the front face of the drawers using the existing fasteners in the drawers.

The left-hand side is shown in the image to the left as a check for bracket orientation.

Do not tighten.

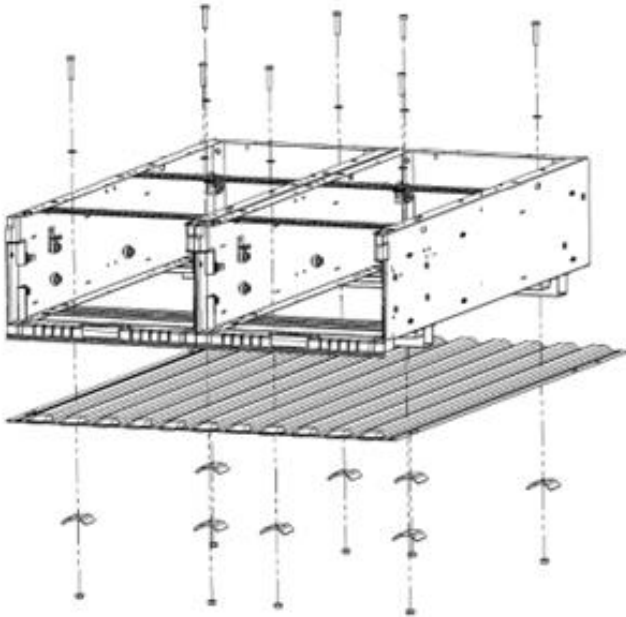


Front extension floor panels.

Attach the Extension floor panels to the drawers using x4 M6 x 20 countersunk black screws.

Tighten all M8 bolts used to secure the brackets to the rear of the drawers to the specified torque.

Slide the drawers fully into the tub.



Mounting hardware.

Align the holes in the 2 top hat mounts on the bottom of the drawers with the holes previously drilled in the floor.

Install 8 x M10 x 30mm bolts through the mounts and the floor. Use flat washers under the head of the bolts.

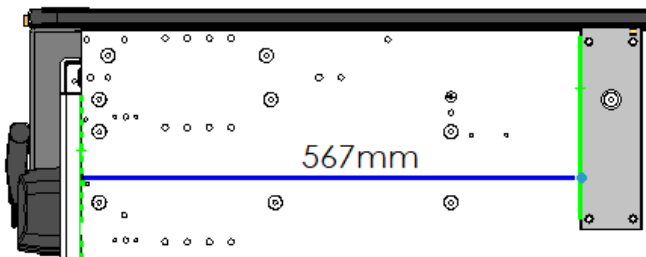
On the underside of the vehicles floor firstly place a contoured floor plate over the bolt and then a M10 nylock nut.

Start all nuts and bolts first, then proceed to tighten all bolts.



44Nm / 32lbf.

Note: lowering of spare wheel will provide greater access to mounting locations.



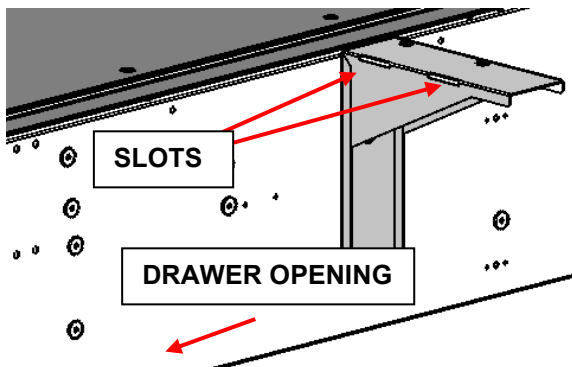
Rear Side floor brackets

Note: Slots in the top of the rear side floor brackets (SBRKR) face towards drawer opening.

Locate the LH and RH SBRKR over the 4-holes in the side of the drawers, as per image. Each bracket should be positioned approximately 567mm from the opening of the drawer as shown.

From inside the cabinet insert 4 x M6 x 12mm bolts into the nutserts in each SBRKR.

Tighten all 4 bolts.



9Nm / 7lbf.



Front side floor brackets

Note: Side floor plastic lock in the top of the front side floor brackets (SBRKF) shall be away from the drawer opening.

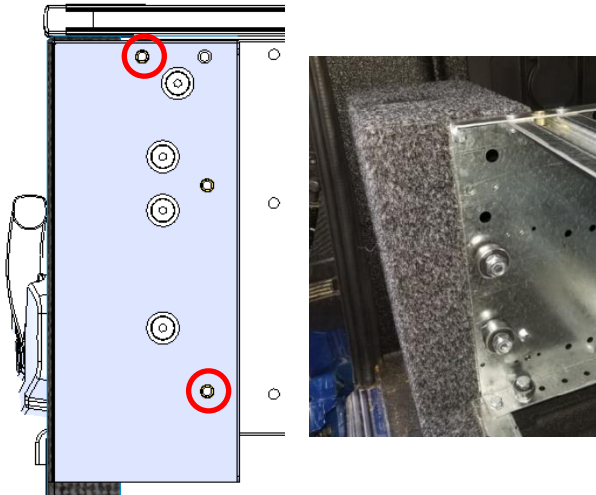
Locate the LH and RH SBRKF over the 4-holes in the side of the drawers.

From inside the cabinet insert 4 x M6 x 12mm bolts into the nutserts in each SBRKF.

Tighten all 4 bolts.



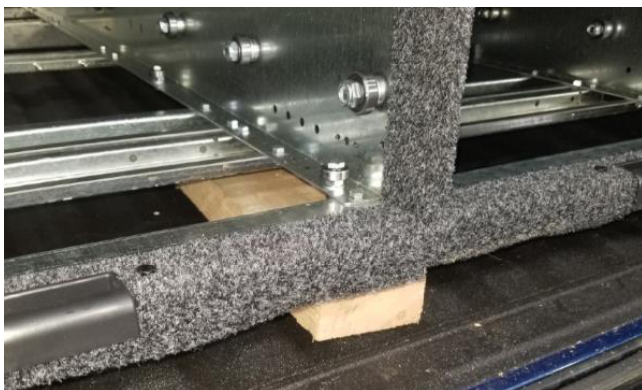
9Nm / 7lbft.



Side fill panels.

Remove x2 diamond shaped plastic spacers from the outside face of the drawers.

Position Side Fill Panel (ASFP) onto outside of drawer module. Secure each panel using x2 M6 x 12mm bolts supplied in kit.



Sill trim step 1.

Lift the rear of the drawers and place a support under the high-profile top hat closest to the rear face of the drawers.



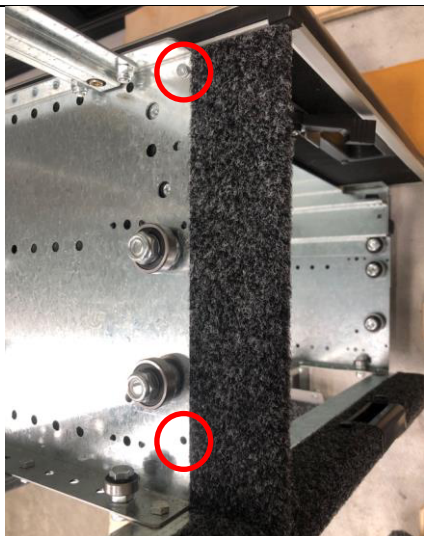
Sill trim step 2.

Insert the carpeted Sill Trim under drawers.

Lift and remove the support under the high-profile top hat

Position the Sill Trim so that the small face with the nutserts is behind the ASFP panels.

Secure the Sill Trim using 4 x M6 x 16 (black) phillips head screws through the ASFP panels.

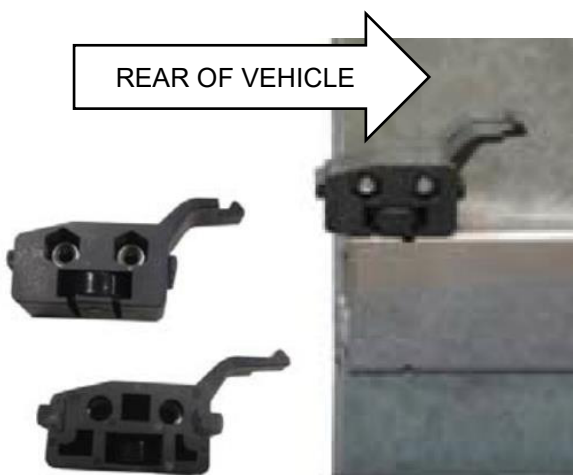


Drawer separator.

Between the drawer fronts; attach the carpeted separator plate using the part and M5 fasteners which come with the drawer.

Note: it may be necessary to increase the hole size in the draws to accommodate the M5 screw. If drilling is required remove any swarf from the drawer frame after drilling.

REASSEMBLY



Reassembly of full height drawer.

Roll the drawers into the frame past the second bearing. Position drawer stops on top of the bearing rail on drawer body. Secure using original bolts.

Drawer stops are left and right-handed. Note that the tail on the drawer stop faces the rear of the vehicle.



Reassembly of roller floor top.

Refit the roller floor into the drawer frame past the second bearing. Slide stops into place from the front end of the drawer. The bearings on the stops face the inside of the drawer.

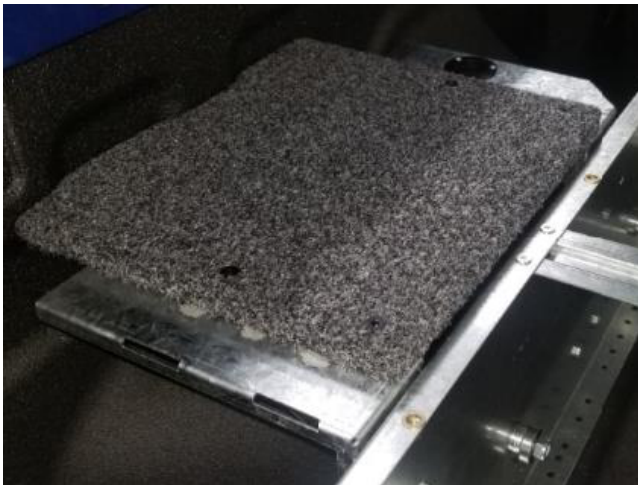
Access holes are provided in the drawer frames to allow access to the screws.



Reassembly of fixed top.

Using a 4mm allen key secure the floor using the countersunk setscrews along both sides of the floor.

FLOOR PANEL INSTALLATION



Mid side floor panel installation.

Install the middle side floor panels to the brackets on the side of the drawers using 4 x black countersunk screws for each panel.



Removable side floor front panel installation.

Fasten the rear side floor section to the FBRK and SBRKF brackets using the plastic twist locks in the panel



Removable side floor rear panel installation.

Slide the locator clips into the SBRKR bracket and then fasten the rear end down using the latch.



