

JEEP JK WRANGLER-CARPET REAR INTERIOR

ROLLER DRAWER INSTALLATION TO ADR 34/02
RDRF790 Series: Vehicle specific instruction and drawing
Side Floor Kit- JK4DCFK

NOTE:

- Do not elongate any holes
- Read and understand all instructions before proceeding

*Throughout these instructions **rear** refers to **rear** of vehicle **front** refers to **front** of vehicle.*

INSTRUCTIONS ARE AVAILABLE FROM ARB STOCKISTS.

SECTION 1:- FRAME PREPERATION.....General Instructions- Supplied In Drawer Module

SECTION 2:- VEHICLE SPECIFIC INSTALLATION.....This Instruction

SECTION 3:- REASSEMBLY.....General Instructions- Supplied In Drawer Module

2) VEHICLE SPECIFIC INSTALLATION:

– Ensure you have completed General Instructions Section One – Frame preparation and removed the drawer before following this vehicle specific instruction.

The General instructions are supplied with the Outback Solutions Drawer Modules and are also available from your ARB stockist.

2.01/- Remove the storage floor cover and well liner from the rear compartment.



2.02/- With an assistant, carefully lift the frame into the vehicle taking care not to scratch the vehicle. Ensure the frame is oriented so the drawer will be accessible from the rear of the vehicle.

Vehicle Specific Instructions

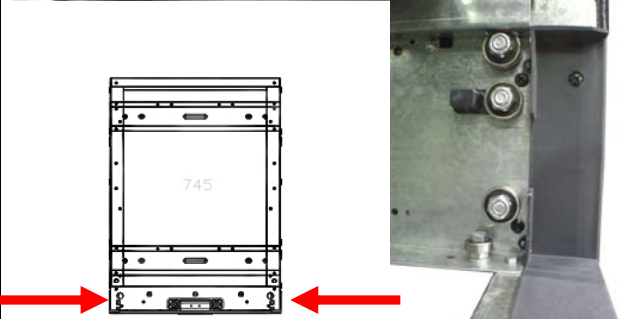
2.3/-Side Fill Panel fixing position:

Position side fill panel onto outside of bearing channels by pushing/positioning side panels in from **front** of vehicle this allows carpet to fold back neatly against interior trim of vehicle.

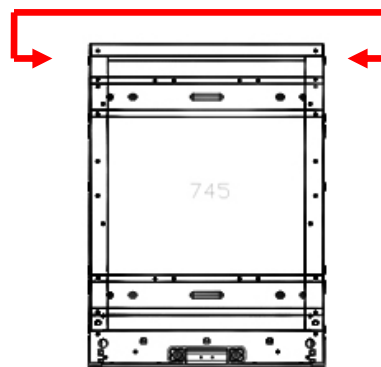
Side Fill Panel fastening:

Fasten Side Fill Panel to outside of bearing channel using three (3) 6mm x 20mm black round head set screws.

First fasten through **top** hole in plastic fascia panel into captive nut in Side Fill Panel.
Second, fasten through holes in outside bearing channel located **top** and **bottom** of front bearings.



2.04/- Fit left and right "L" support brackets the left and right front corners of the drawer assembly. Fasten with 3X M6 hex head bolts from inside the drawer assembly. Ensure slots for floor cleats face the rear of the vehicle.



Vehicle Specific Instructions

2.05/-Fit side floors.

The front cleats on the underside of the floor will engage in slots in the "L" support brackets.

Once installed the side floors will assist to locate the system in the vehicle.

Left to right.

Maneuver assembly to ensure the gap between side floor and vehicle walls is equal on both sides and follows the profile of the vehicle- this centers the frame in the vehicle.

Locate the drawer assembly in the vehicle.

Front to rear.

With the roller floor top and rear door closed, there will be 95 - 100mm between the rear edge of the roller floor and the black plastic trim on the rear door. Measure at a number of points to ensure assembly is square to the rear door.



2.06/ Install the JK24DIK install kit, supplied separately, over the jack storage access.

Place the cover in position with carpeted side up and the two spacers facing rear of vehicle. Locate centrally and against rear rubber door seal.

With suitable tool, mark down through the two holes in the cover and onto the vehicle. Holes are located to each side of the jack storage space.

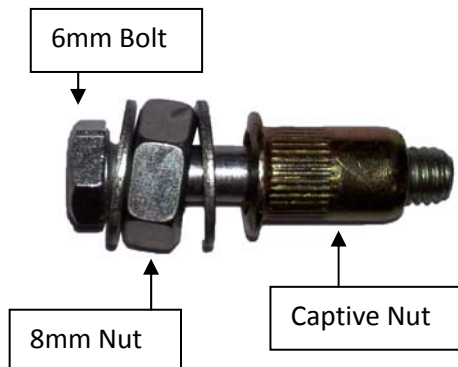
Remove the carpeted panel, jack and tools from the storage space. Ensure all clear underneath and drill 10mm holes on the points marked.

Install the captive nuts into the holes. To do this Insert Captive Nut Insert Tool into the drilled out hole. Hold M8 nut on Captive Nut Hand Tool firmly using a 13mm open end spanner.

Using a 10mm spanner fasten M6 bolt down into M8 nut and Captive Nut until Captive Nut pulls up as tight as possible.

Unfasten M6 bolt, M8 nut, M6 Flat Washers and dispose of in a responsible manner

Use thumb screws inserted through the carpeted panel and into the captive nuts to retain the carpeted panel.



Vehicle Specific Instructions

2.07/- Prepare two front Mount Rail support spacers.

Clip and knock together three 10mm plastic spacers to form a stack 30mm tall.

Repeat to create two sets of spacers.

Remove pins from last of these spacers. Spacer thickness is marked on Individual spacers

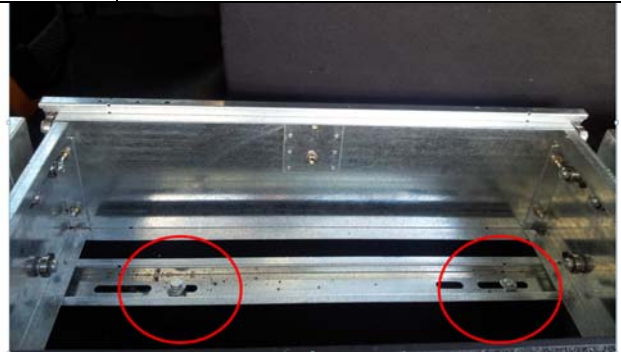


2.08/-Place spacers under front mount rail.

Left hand spacer should be 137mm from the left bearing channel.

Right hand spacer should be 137mm from the right hand bearing channel.

See also diagram on last page for spacer locations.



2.09/- Prepare two rear Mount Rail support spacers.

Clip and knock together three 10mm plastic spacers to form a stack 30mm tall.

Repeat to create two sets of spacers.

Remove pins from last of these spacers. Spacer thickness is marked on Individual spacers.



2.10/-Place spacers under rear mount rails.

Spacers sit to the outside edge of the storage well and on the steel body of the vehicle.

Mark down through the spacers onto the vehicle floor to indicate where bolt holes will be drilled.

Refer to diagram on last page of this instruction for spacer locations.



Vehicle Specific Instructions

2.11/- Drill rear mount bolt holes.

Move drawer assembly forward into vehicle and drill marked rear holes out to 10mm.

Important: Debur drilled holes and apply "Tectyl" or similar rust preventive coating to drilled holes to prevent rust.



Ensure all clear under vehicle floor before drilling any holes. It is the responsibility of the fitter to ensure that drilling through the vehicle floor will not damage vehicle components. Check for items such as fuel lines, break lines, fuel tanks, spare tires and non standard accessories.



2.12/- Replace frame assembly as per step 2.12 and fasten rear down.

Fasten rear of frame to vehicle through drilled holes using two (2) M10x60mm bolts, M10x70x40 flat plates inside the vehicle and stainless steel weatherproof plates and Nyloc nuts on underside of vehicle.

Ensure spacers are in position with bolts passing through them.

Inside vehicle



Under vehicle



2.13/- Drill through front spacers.

Drill down through the front spacers and through the floor.

Important: Debur drilled holes and apply "Tectyl" or similar rust preventive coating to drilled holes to prevent rust. This can be done from under the vehicle.



Ensure all clear under vehicle floor before drilling any holes. It is the responsibility of the fitter to ensure that drilling through the vehicle floor will not damage vehicle components. Check for items such as fuel lines, break lines, fuel tanks, spare tires and non standard accessories.



Vehicle Specific Instructions

2.14/- Fasten front mount rail.

Fasten front of frame to vehicle through front mount rail, support spacers and drilled holes using **two (2) M10x60mm** bolts, **M10x70x40** flat plates inside the vehicle and stainless steel weatherproof plates and Nyloc nuts on underside of vehicle.

Inside vehicle



Under vehicle

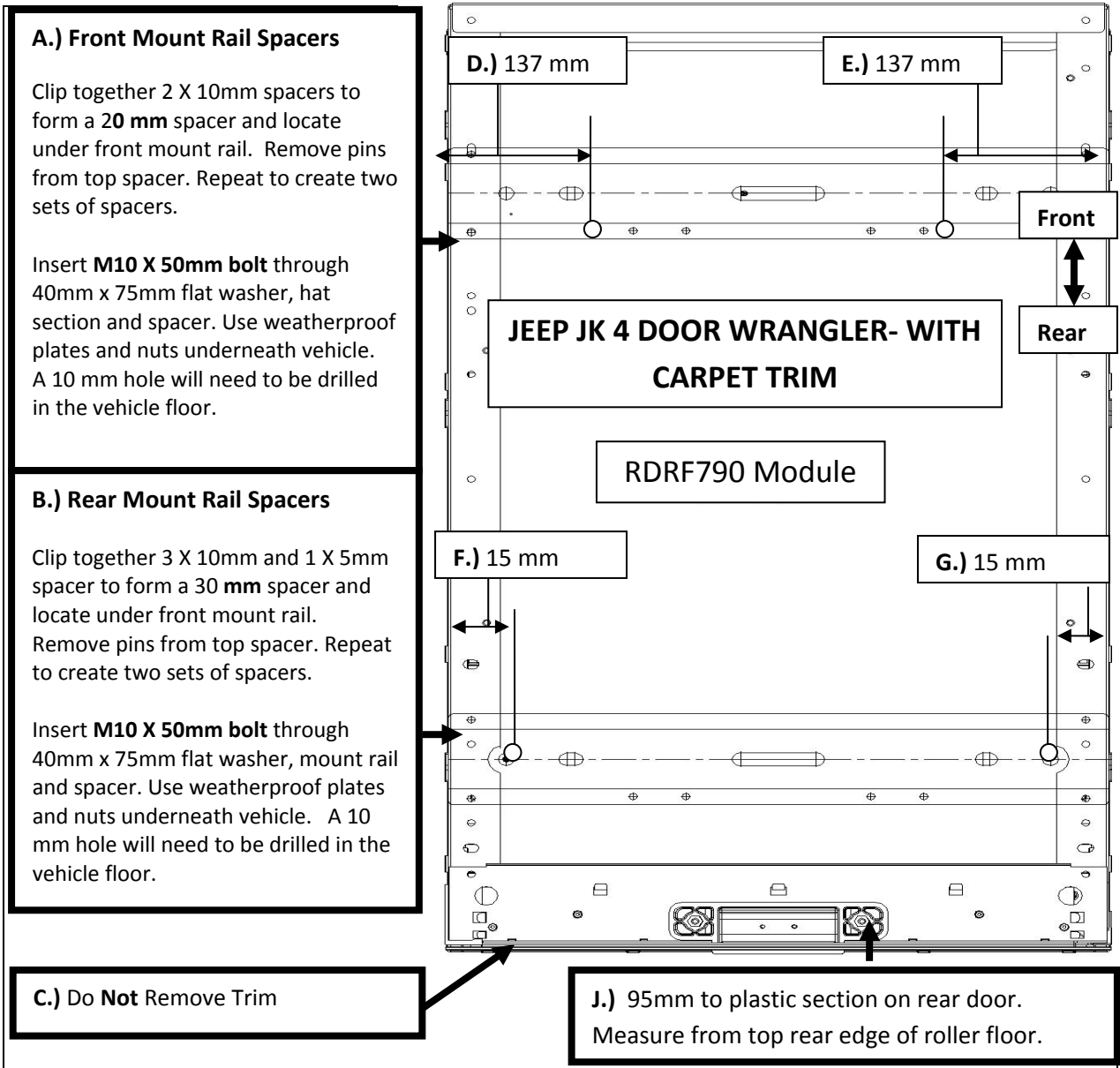


2.15/- Remove **all** drill swarf from vehicle and ensure rust preventive coating was applied to all drilled holes.

2.16/- Return to **General instructions section 3** to complete the installation and refit the drawer. The **General instructions** are supplied with the **Outback Solutions Drawer Modules** and are also available from your **ARB stockist**.

Vehicle Specific Instructions

Vehicle Specific Diagram



A.) Front Mount Rail Spacers

Clip together 2 X 10mm spacers to form a **20 mm** spacer and locate under front mount rail. Remove pins from top spacer. Repeat to create two sets of spacers.

Insert **M10 X 50mm bolt** through 40mm x 75mm flat washer, hat section and spacer. Use weatherproof plates and nuts underneath vehicle. A 10 mm hole will need to be drilled in the vehicle floor.

B.) Rear Mount Rail Spacers

Clip together 3 X 10mm and 1 X 5mm spacer to form a **30 mm** spacer and locate under front mount rail. Remove pins from top spacer. Repeat to create two sets of spacers.

Insert **M10 X 50mm bolt** through 40mm x 75mm flat washer, mount rail and spacer. Use weatherproof plates and nuts underneath vehicle. A 10 mm hole will need to be drilled in the vehicle floor.

C.) Do Not Remove Trim

J.) 95mm to plastic section on rear door. Measure from top rear edge of roller floor.

JEEP JK 4 DOOR WRANGLER- WITH PLASTIC REAR TRIM AND SUBWOOFER			
A.)	<i>20 mm Spacers</i>	F.)	<i>15 mm</i>
B.)	<i>30 mm Spacers</i>	G.)	<i>15 mm</i>
C.)	<i>Do Not Remove Trim</i>	.)	
D.)	<i>137 mm</i>	.)	
E.)	<i>137 mm</i>	.)	

Caution: - Confirm measurements and check for items such as fuel lines, break lines, fuel tanks, spare tires and non standard accessories before drilling holes in vehicle. It is the responsibility of the fitter to ensure that drilling on the vehicle will not damage vehicle components.