

JEEP JK WRANGLER-PLASTIC REAR INTERIOR WITH SUB WOOFER

ROLLER DRAWER INSTALLATION TO ADR 34/02
RDRF790 Series: Vehicle specific instruction and drawing
Side Floor Kit- JK4DPSWFK

NOTE:

- Do not elongate any holes
- Read and understand all instructions before proceeding

*Throughout these instructions **rear** refers to **rear** of vehicle **front** refers to **front** of vehicle.*

INSTRUCTIONS ARE AVAILABLE FROM ARB STOCKISTS.

SECTION 1:- FRAME PREPERATION.....General Instructions- Supplied In Drawer Module

SECTION 2:- VEHICLE SPECIFIC INSTALLATION.....This Instruction

SECTION 3:- REASSEMBLY.....General Instructions- Supplied In Drawer Module

2) VEHICLE SPECIFIC INSTALLATION:

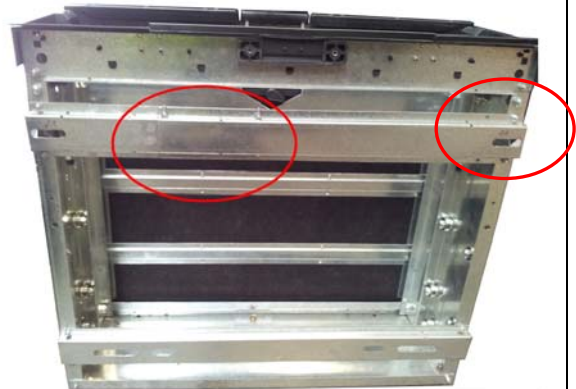
– Ensure you have completed General Instructions Section One – Frame preparation and removed the drawer before following this vehicle specific instruction.

The General instructions are supplied with the Outback Solutions Drawer Modules and are also available from your ARB stockist.

2.01/- Adjust the rear mount rail to suit Jeep JK Wrangler with rear plastic interior and sub woofer.

Undo the two long central bolts and the two short outer bolts that retain the lower right hand section of the mount rail. (top picture right)

Slide the lower mount rail to the right, so that it protrudes past the side of the drawer assembly and align with bolt holes in the rail. Refit all bolts ensuring nuts of outer short bolts are facing underside. (lower picture right)



Vehicle Specific Instructions

2.02/- Remove the storage floor cover and well liner from the rear compartment.



2.03/ Install the JK24DIK install kit, supplied separately, over the jack storage access.

Place the cover in position with carpeted side up and the two spacers facing rear of vehicle. It will locate neatly between the side plastic trims and the rear rubber door seal.

With suitable tool, mark down through the two holes in the cover and onto the vehicle. Holes are located to each side of the jack storage space.

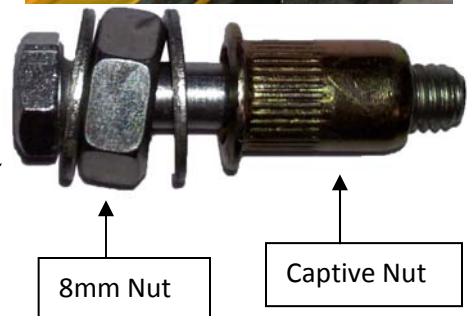
Remove the carpeted panel, jack and tools from the storage space. Ensure all clear underneath and drill 10mm holes on the points marked.

Install the captive nuts into the holes. To do this Insert Captive Nut Insert Tool into the drilled out hole. Hold M8 nut on Captive Nut Hand Tool firmly using a 13mm open end spanner.

Using a 10mm spanner fasten M6 bolt down into M8 nut and Captive Nut until Captive Nut pulls up as tight as possible.

Unfasten M6 bolt, M8 nut, M6 Flat Washers and dispose of in a responsible manner

Use thumb screws inserted through the carpeted panel and into the captive nuts to retain the carpeted panel.



6mm Bolt

8mm Nut

Captive Nut

Vehicle Specific Instructions

2.04/- With an assistant, carefully lift the frame into the vehicle taking care not to scratch the vehicle. Ensure the frame is oriented so the drawer will be accessible from the rear of the vehicle.

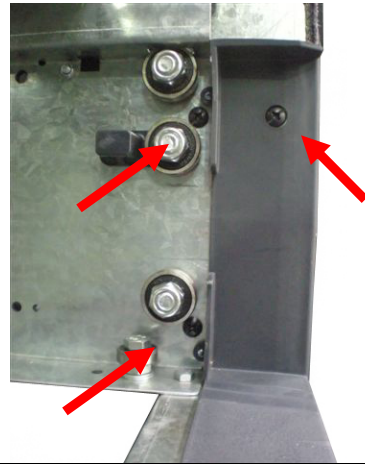
2.05/- Fit left hand face carpet panel.

Position left hand side fill panel onto outside of bearing channels by pushing/positioning side panels in from **front** of vehicle this allows carpet to fold back neatly against interior trim of vehicle.

Side Fill Panel fastening:

Fasten Side Fill Panel to outside of bearing channel using three (3) 6mm x 20mm black round head set screws.

First fasten through **top** hole in plastic fascia panel into captive nut in Side Fill Panel.
Second, fasten through holes in outside bearing channel located **top** and **bottom** of front bearings.



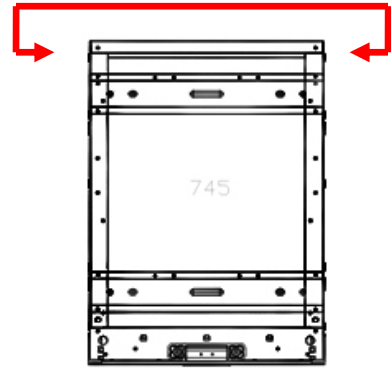
2.06/- Fit right hand face carpet panel.

Right hand face panel sits forward of the sub woofer plastic trim. Align panel with holes in the right hand bearing channel and fasten with 3 X M6 hex head bolts. Bolts are installed from inside the frame assembly into captive nuts in the face panel.



Vehicle Specific Instructions

2.07/- Fit left and right "L" support brackets the left and right front corners of the drawer assembly. Fasten with 3X M6 hex head bolts from inside the drawer assembly. Ensure slots for floor cleats face the rear of the vehicle.



2.08/- Prepare two rear Mount Rail support spacers.

Clip and knock together three 10mm and one 5mm plastic spacers to form a stack 35mm tall.

Repeat to create two sets of spacers.

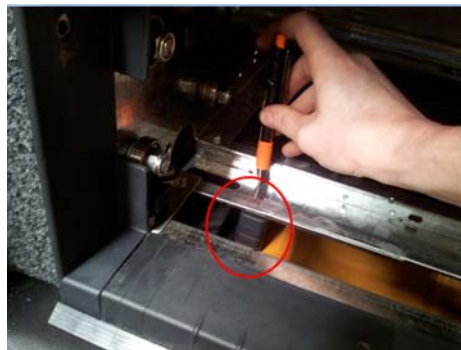
Remove pins from last of these spacers. Spacer thickness is marked on Individual spacers.



2.09/-Place spacers under rear mount rails.

Spacers sit to the outside edge of the storage well and on the steel body of the vehicle.

Refer to diagram on last page of this instruction for spacer locations.



Rear left hand side



Rear right hand side

Vehicle Specific Instructions

2.10/- Prepare two front Mount Rail support spacers.

Clip and knock together three 10mm plastic spacers to form a stack 30mm tall.

Repeat to create two sets of spacers.

Remove pins from last of these spacers. Spacer thickness is marked on Individual spacers

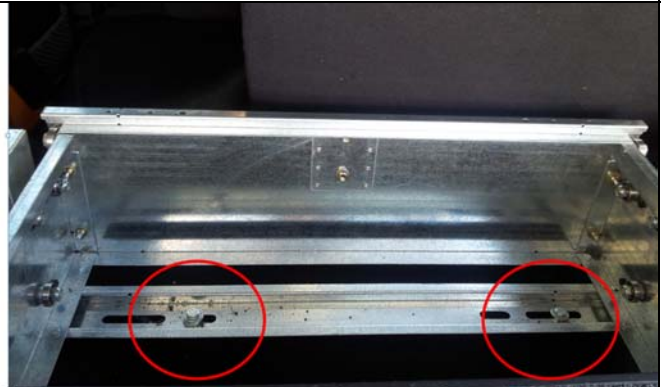


2.11/-Place spacers under front mount rail.

Left hand spacer should be 180mm from the left bearing channel.

Right hand spacer should be 95mm from the right hand bearing channel.

See also diagram on last page for spacer locations.



2.12/- Locate the drawer assembly in the vehicle.

Front to rear.

With the roller floor top and rear door closed, locate the drawer with 80mm between the rear edge of the roller floor and the black plastic trim on the rear door. Measure at a number of points to ensure assembly is square to the rear door. (see upper image right)

Left to right.

Ensure the left hand carpeted face panel is hard to the plastic trim. (see lower image right)



Vehicle Specific Instructions

2.13/- Mark location for rear bolt holes.

With the drawer assembly in the correct location and all four spacers in place, mark the rear holes only.

With a suitable tool mark down through the spacers onto the steel floor of the vehicle.

See also diagram on last page for spacer locations.



2.14/- Drill rear mount bolt holes.

Move drawer assembly forward into vehicle and drill marked rear holes out to 10mm.

Important: Deburr drilled holes and apply "Tectyl" or similar rust preventive coating to drilled holes to prevent rust.



Ensure all clear under vehicle floor before drilling any holes. It is the responsibility of the fitter to ensure that drilling through the vehicle floor will not damage vehicle components. Check for items such as fuel lines, break lines, fuel tanks, spare tires and non standard accessories.



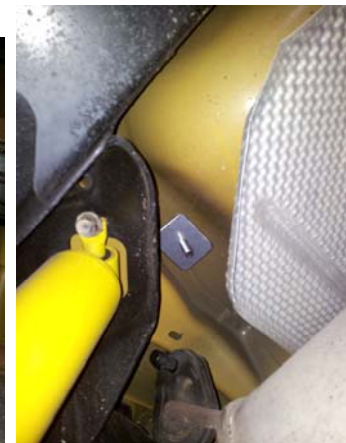
2.15/- Replace frame assembly as per step 2.12 and fasten rear down.

Fasten rear of frame to vehicle through drilled holes using two (2) **M10x60mm** bolts, **M10x70x40** flat plates inside the vehicle and stainless steel weatherproof plates and Nyloc nuts on underside of vehicle.

Inside vehicle



Under vehicle



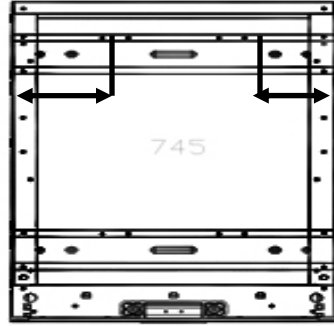
Vehicle Specific Instructions

2.16/- Ensure front spacers are correctly located under the front mount rail. These can sit on the carpet.

Left hand spacer should be 180mm from the left bearing channel.

Right hand spacer should be 95mm from the right hand bearing channel. Centre hole in spacers will line up with holes or slots in the mount rail.

See also diagram on last page for spacer locations.



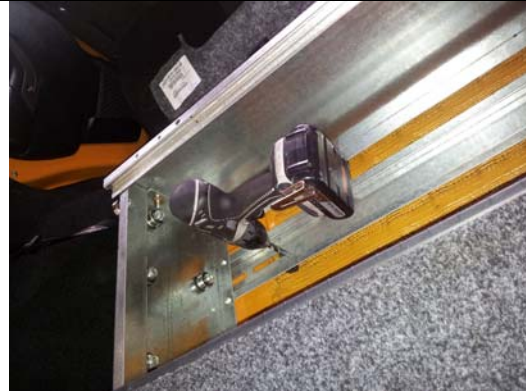
2.17/- Drill through front spacers.

Drill down through the front spacers and through the floor.

Important: Debur drilled holes and apply "Tectyl" or similar rust preventive coating to drilled holes to prevent rust. This can be done from under the vehicle.



Ensure all clear under vehicle floor before drilling any holes. It is the responsibility of the fitter to ensure that drilling through the vehicle floor will not damage vehicle components. Check for items such as fuel lines, break lines, fuel tanks, spare tires and non standard accessories.



2.18/- Fasten front mount rail.

Fasten front of frame to vehicle through front mount rail, support spacers and drilled holes using **two (2) M10x60mm bolts**, **M10x70x40 flat plates** inside the vehicle and stainless steel weatherproof plates and Nyloc nuts on underside of vehicle.



Inside vehicle



Under vehicle



Vehicle Specific Instructions

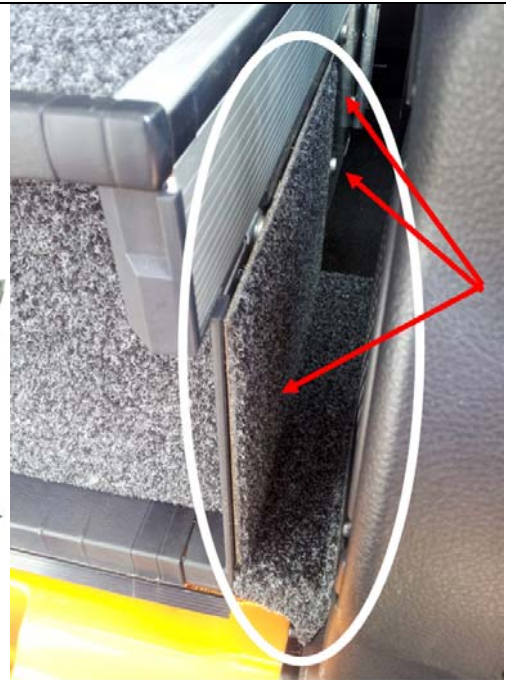
2.19/- Install side cover panel.

Loosen right hand carpeted face panel.

Slide the cover panel into position from the rear of the vehicle so as it engages with the cover panel bolts.

Insert and tighten a M6 bolt through the cover panel and into the captive nut in the drawer assembly.

Tighten all bolts.



2.20/- fit side floor tops.

Side floor tops are removable to access storage.

First engage front stainless steel cleats into the front "L" bracket and then push the rear retaining clip down into the face panel.

These can be tight at first, but become easier to use as the carpet compresses.

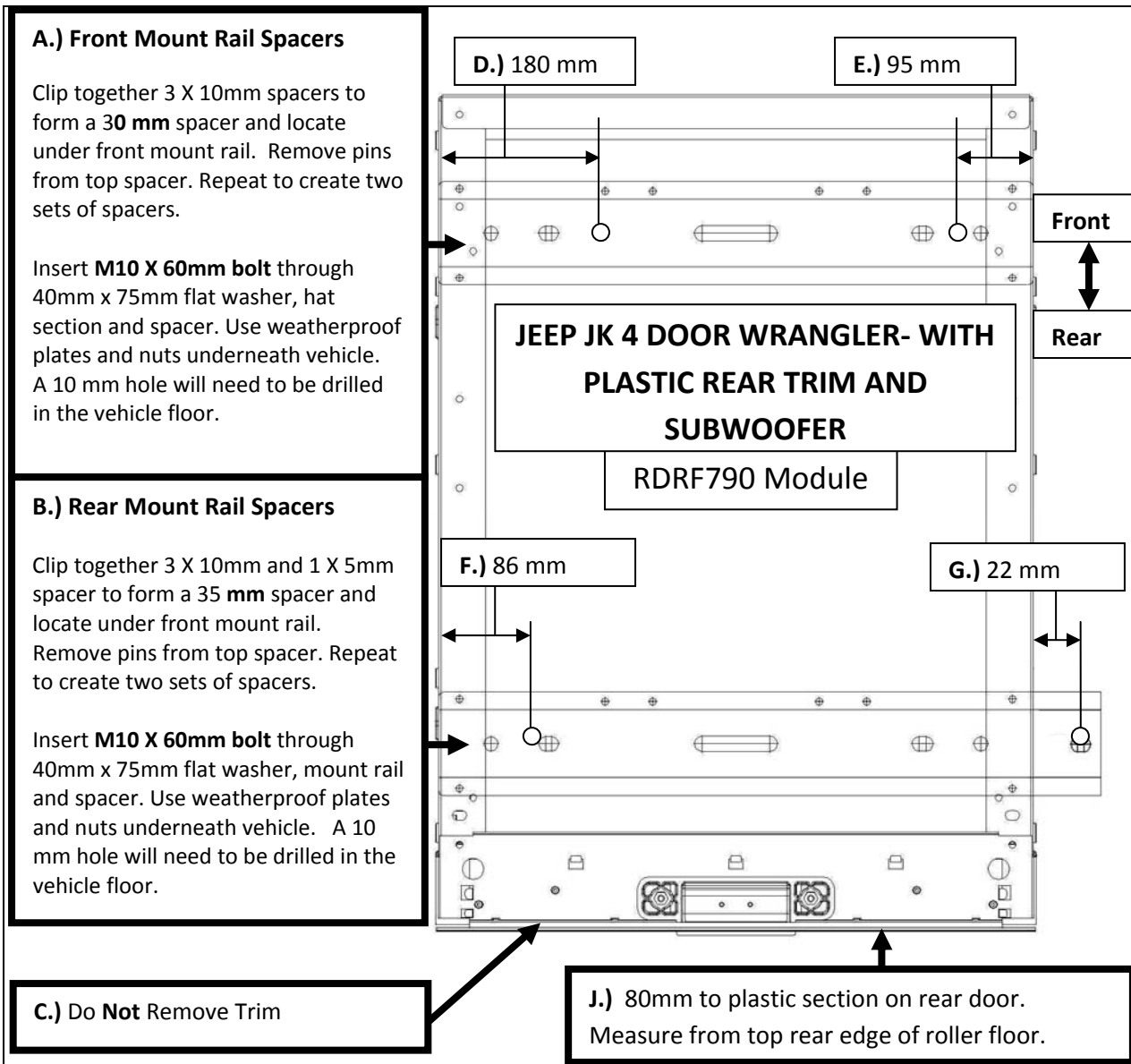


2.21/- Remove all drill swarf from vehicle and ensure rust preventive coating was applied to all drilled holes.

2.15/- Return to General instructions section 3 to complete the installation and refit the drawer. The General instructions are supplied with the Outback Solutions Drawer Modules and are also available from your ARB stockist.

Vehicle Specific Instructions

Vehicle Specific Diagram



JEEP JK 4 DOOR WRANGLER- WITH PLASTIC REAR TRIM AND SUBWOOFER			
A.)	<i>30 mm Spacers</i>	F.)	<i>86 mm</i>
B.)	<i>35 mm Spacers</i>	G.)	<i>22 mm</i>
C.)	<i>Do Not Remove Trim</i>	.)	
D.)	<i>180 mm</i>	.)	
E.)	<i>95 mm</i>	.)	

Caution: - Confirm measurements and check for items such as fuel lines, break lines, fuel tanks, spare tires and non standard accessories before drilling holes in vehicle. It is the responsibility of the fitter to ensure that drilling on the vehicle will not damage vehicle components.