

ARB **BASE RACK**

FITTING INSTRUCTION

Part Number:
17970060
17970080

Suits BASE RACK:
1770100, 1770040
1770100, 1770040

Suits Vehicle:
SWB Normal Roof
LWB Normal Roof

Product Description: **BASE RACK FITTING KIT for VW T5 / T6 / T6.1
TRANSPORTER / MULTIVAN / CARAVELLE**

WARNING

- ◆ Vehicle accessories which are not properly fitted can be dangerous.
- ◆ Please read these instructions carefully prior to fitting, and comply with the instructions at all times
- ◆ If in any doubt please contact your nearest ARB state office or the stockist from whom it was purchased.
- ◆ Do not use this product for any vehicle make or model, other than those specified by ARB.
- ◆ This product or its fixing must not be modified in any way.
- ◆ The installation of this product may require the use of specialized tools and/or techniques
- ◆ It is recommended that this product is only installed by trained personnel
- ◆ These instructions are correct as at the publication date. ARB Corporation Ltd. cannot be held responsible for the impact of any changes subsequently made by the vehicle manufacturer
- ◆ During installation, it is the duty of the installer to check correct operation/clearances of all components
- ◆ Work safely at all times
- ◆ Unless otherwise instructed, tighten fasteners to specified torque
- ◆ Check bolt torque after 500km & at regular service intervals

ARB 4x4 ACCESSORIES

Corporate Head Office

42-44 Garden St
Kilsyth, Victoria
AUSTRALIA 3137

Tel: +61 (3) 9761 6622
Fax: +61 (3) 9761 6807

Australian enquiries
North & South American enquiries
Other international enquiries

sales@arb.com.au
sales@arbusa.com
exports@arb.com.au

www.arb.com.au

SAFETY

NET PAYLOAD FOR YOUR BASE RACK

The net payload for your BASE RACK is calculated by subtracting the weight of the BASE RACK and the vehicle mounting kit from the vehicle's roof capacity.

The vehicle's roof load capacity may vary between models and driving conditions. Refer to vehicle owner's manual for model and condition specific roof load capacities.

Kit	BASE RACK	Vehicle roof capacity* (kg/lb)	BASE RACK + mount kit (kg/lb)	BASE RACK net payload (kg/lb)
17970060	1770100	150 / 330	38 / 82	112 / 248
17970080	1770100	150 / 330	38 / 82	112 / 248

* Maximum roof load capacity. Refer to vehicle owner's manual for model and condition specific roof load capacities.

It is important to follow the listed usage instructions;

- ◆ Maximum load per BASE RACK beam is 25kg.
- ◆ Load must be evenly distributed and adequately secured.
- ◆ Any weight carried on the roof of the vehicle will adversely affect its handling, particularly in cornering or in a cross-wind, the vehicle should therefore be driven with increased discretion.
- ◆ Regularly check the tightness of the securing clamps and the security of the load.
- ◆ Attention is directed to statutory requirements regarding maximum permissible projections from vehicles.

GENERAL CARE AND MAINTENANCE

By choosing an ARB BASE RACK, you have bought a product that is one of the most sought after 4WD products in the world. Your BASE RACK is a properly engineered, reliable, quality accessory that represents excellent value. To keep your BASE RACK in original condition it is important to care and maintain it following these recommendations:

As part of any pre-trip preparation, or on an annual basis, it is recommended that a thorough visual inspection of the BASE RACK is carried out, making sure that all bolts and other components are torqued to the correct specification. Replace any components as necessary.

Please contact local Authorised ARB Stockist if you would like to have this service carried out on your behalf.

FITTING REQUIREMENTS

REQUIRED TOOLS FOR FITMENT OF PRODUCT:

Allen key set	10mm & 13mm spanners
Torx key set	Socket set
Tape measure	Pen/pencil

NOTE: 'WARNING' notes in the fitting procedure relate to OHS situations, where to avoid a potentially hazardous situation it is suggested that protective safety gear be worn or a safe work procedure be employed. If these notes and warnings are not heeded, injury may result.

FASTENER TORQUE SETTINGS:

SIZE	Torque Nm	Torque lbft
M6	9Nm	7lbft
M8	22Nm	16lbft

Air Deflectors and Base Rack Light Bar

By default (Without Light Bar):

Air Deflector should be fitted to the BASE RACK. Instructions are in the following pages.

When using a BASE RACK Light Bar (part number **1780500**):

It is recommended to fit the Light Bar in front of the BASE RACK, together with the Air Deflector, which will need to be trimmed.

The Light Bar can also be fitted above the rack, but will not fit underneath.

For further details, refer to the instructions in the following pages, and to those provided with the Light Bar.




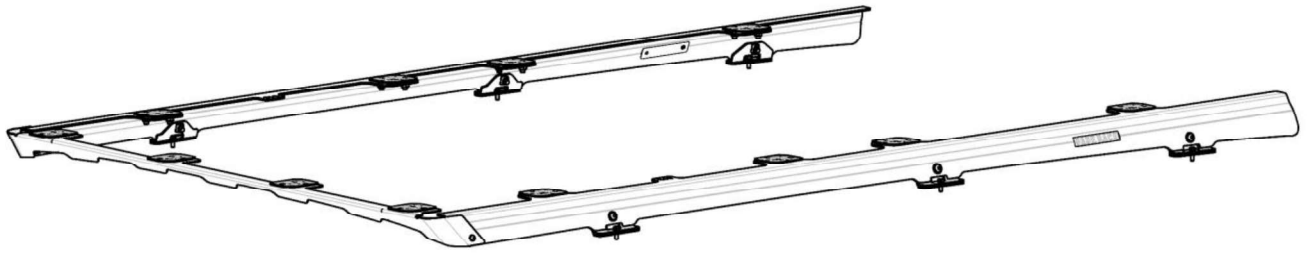
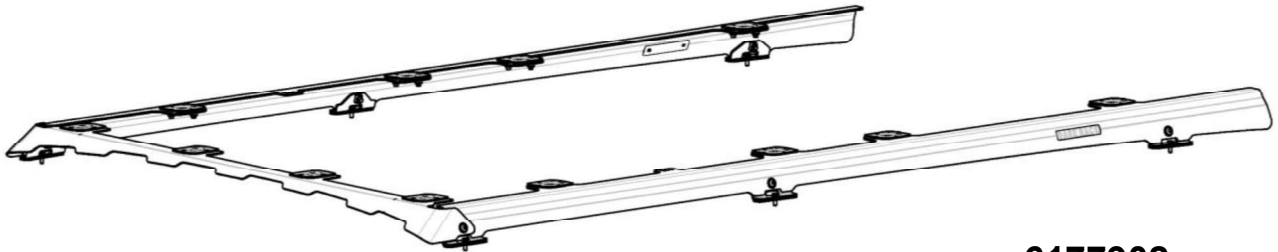
		PART NUMBER
AIR DEFLECTOR SWB		3755019 Included
AIR DEFLECTOR LWB		3755018 Included
BASE RACK LIGHT BAR		1780500

DIAGRAM 17970060



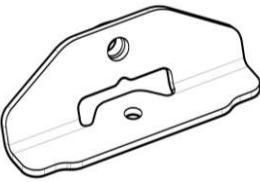
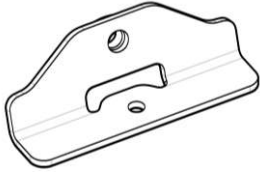
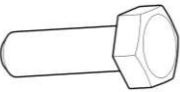

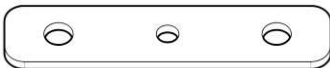

Includes FASTENERS KIT **6177902**

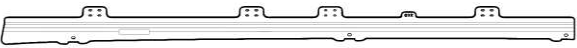

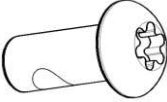

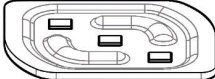
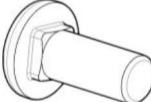



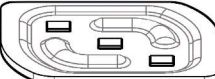



DIAGRAM 17970080


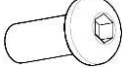




Includes FASTENERS KIT **6177902**

PARTS LISTING 17970080

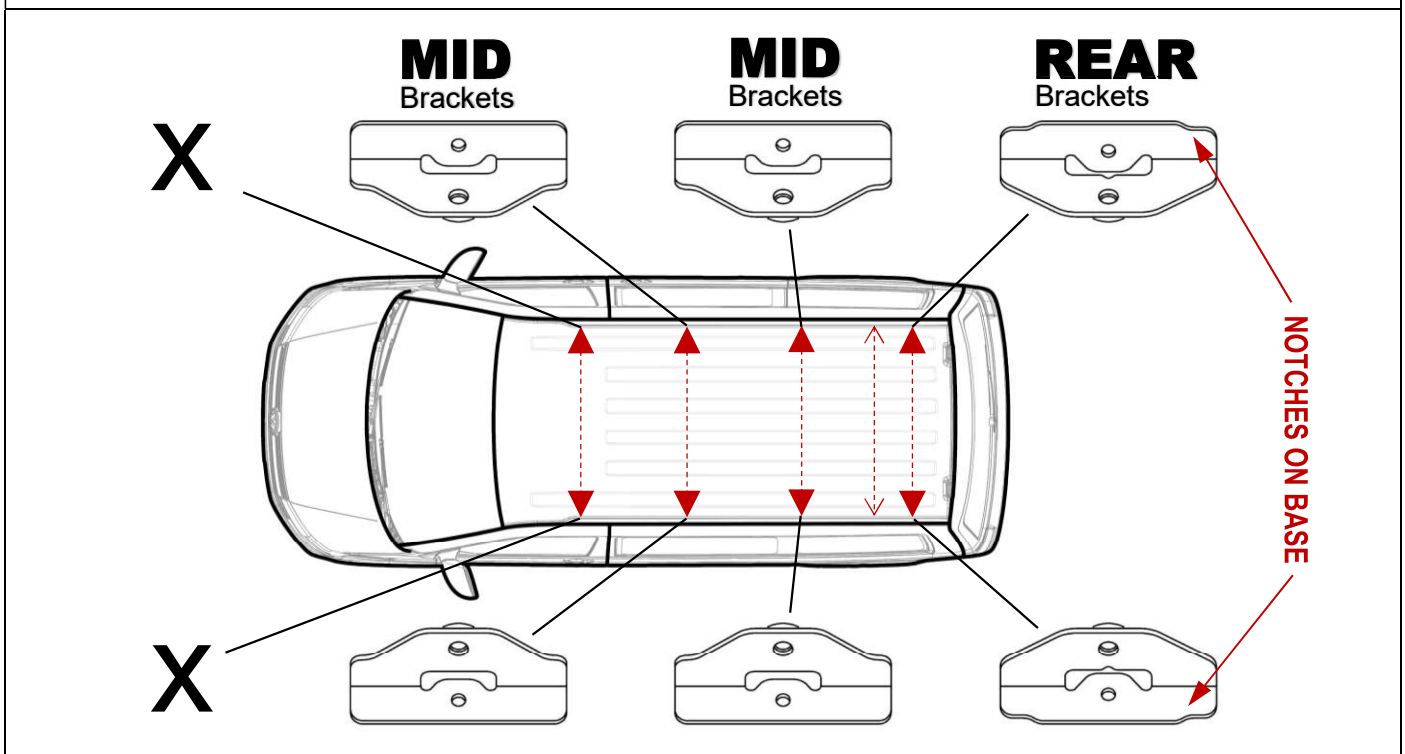
PART NO.	PICTURE	QTY	DESCRIPTION
APPLICATION – MOUNTING BRACKETS TO ROOF			
3755010		2	MOUNTING BRACKET W/ WELD NUT - REAR
3755011		4	MOUNTING BRACKET W/ WELD NUT - MID
6151180		6	M6x20 HEXAGONAL HEAD
4584425		6	M6 WASHER FLAT - BONDED
5848524		6	RUBBER PACKER
6151934		1	TORX ALLEN KEY

PART NO.	PICTURE	QTY	DESCRIPTION
APPLICATION – BLADE BRACKETS TO MOUNTING BRACKETS			
3755012R		1	BLADE BRACKET LWB 2125 RIGHT
3755012L		1	BLADE BRACKET LWB 2125 LEFT
6151924		6	M8x20 BUTTON HEAD TORX - BLACK
4581085		8	M8 WASHER FLAT - BLACK
APPLICATION – BASE RACK TO BLADE BRACKETS			
3195184		8	M8 STUD PLATE
6151921		16	M8x20 STUD - BLACK
6151212		16	M8 NYLOC NUT - BLACK
4581085		16	M8 WASHER FLAT - BLACK
APPLICATION – BASE RACK TO AIR DEFLECTOR			
3755018		1	AIR DEFLECTOR LWB 2125
3195184		4	M8 STUD PLATE
6151921		4	M8x20 STUD - BLACK
6151212		4	M8 NYLOC NUT - BLACK
4581085		4	M8 WASHER FLAT - BLACK

PART NO.	PICTURE	QTY	DESCRIPTION
APPLICATION – AIR DEFLECTOR TO BLADE BRACKETS – NOT USED			
6151300		2	M6 CAGE NUT
6151459		2	M6x16 BUTTON HEAD HEX - BLACK
4584329		2	M6 FLAT WASHER - BLACK
4581082		2	M6 FLAT WASHER LARGE - BLACK

BEFORE STARTING, READ ALL STEPS OF THE INSTRUCTIONS CAREFULLY AND CHECK ALL PARTS

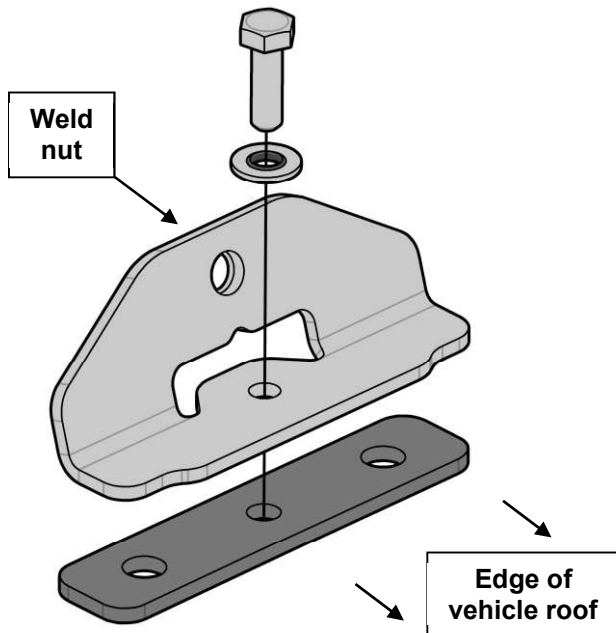
STEP 1 – ATTACH MOUNTING BRACKETS TO ROOF





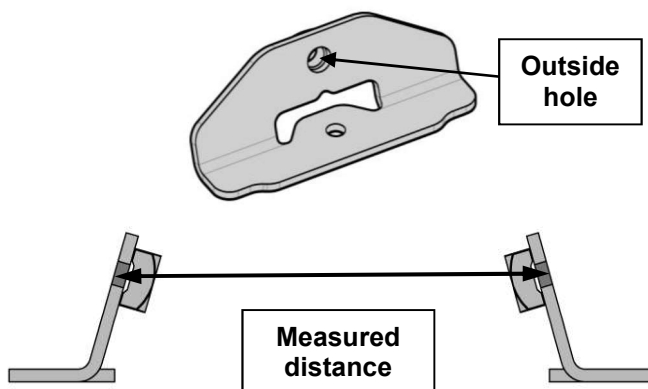
1. Remove covers from anchor points to be used.

Leave covers on all other anchor points.



2. Assemble mount brackets:
 - Place rubber packers over each anchor point.
 - Position mounting brackets following the mount brackets diagram, so that weld nuts are facing towards the centre of the vehicle.
 - Attach brackets to the roof mounting points using an M6 x 20mm hex head screw and M6 Bonded washer (See image).
 - Tighten all M6 Hexagonal screws to the specified torque.

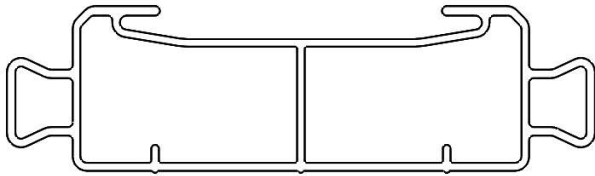
 **Torque M6 to 9Nm (7lbft)**



3. Using a tape measure, measure across the vehicle between the middle of the hole on the outside face of the front and rear set of mounting brackets. Make a note of each measurement.

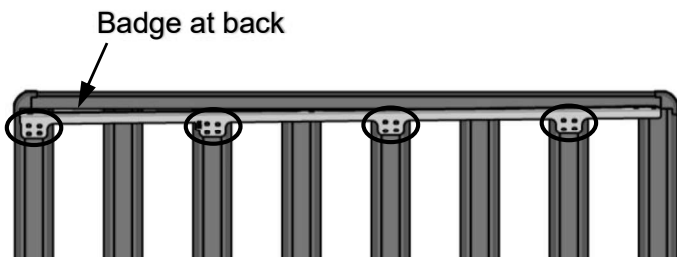
Position	Distance
Front	
Rear	

STEP 2 – ASSEMBLE BASE RACK WITH BLADE BRACKETS



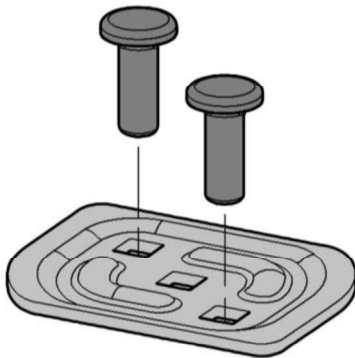
Top face of BASE RACK

4. Place the BASE RACK face down on a clean flat surface. Provide protection to the top face of BASE RACK to avoid marking of surfaces

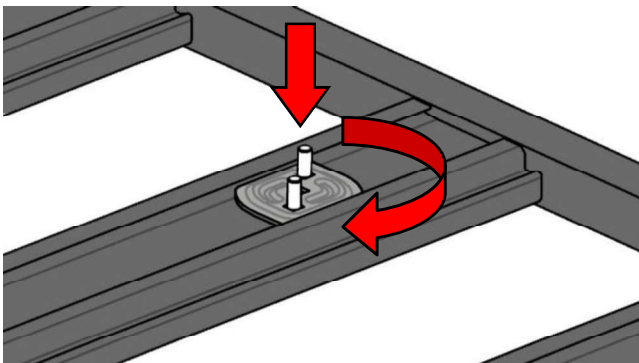


Badge at back

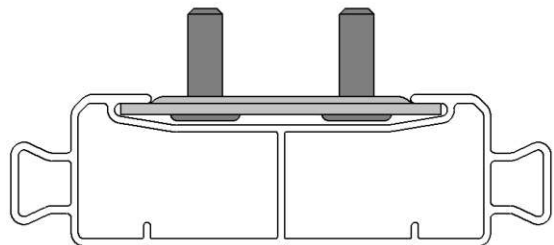
5. Check the position of the mounting plates (circled in image) on the blade brackets in relation to the channels on the BASE RACK.

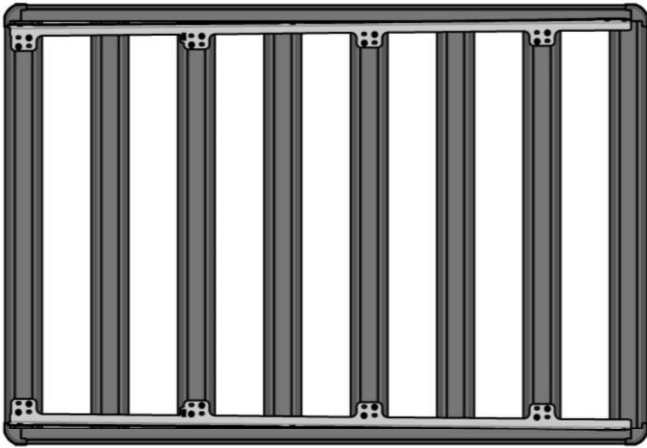


6. Insert 2, M8 x 20 Studs into each of the Stud Plates as shown.



7. Insert the assembled stud plates into the correct BASE RACK channels. Rotate the plates 90 degrees.

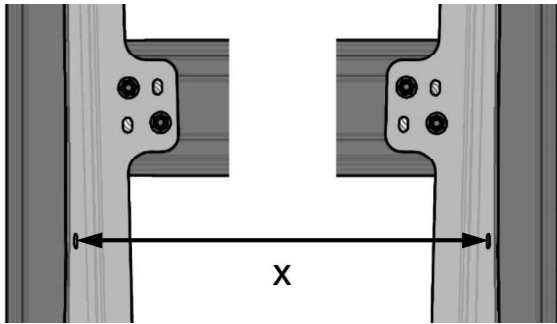
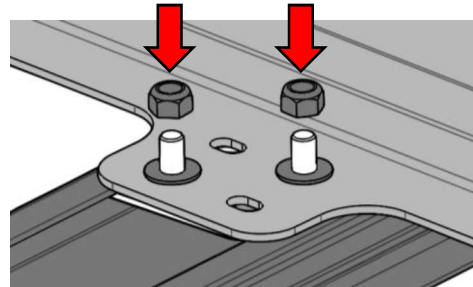




8. Flip the blade brackets over so they are upside down and carefully place on top of the BASE RACK. Ensure the M8 studs go through the slots.

Secure the blade brackets to the BASE RACK using M8 flat washers and nyloc nuts.

Do not fully tighten, allowing each blade to move.



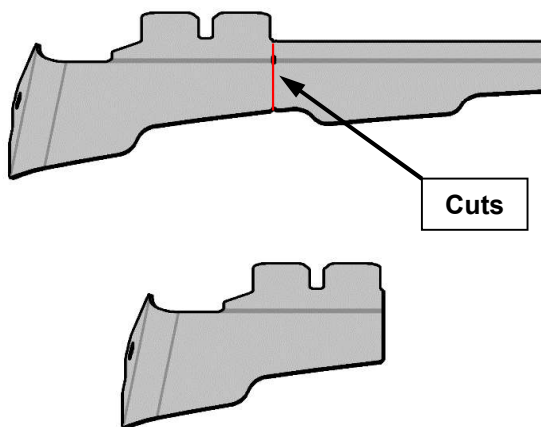
9. Using the previously recorded measurements, adjust the location of the blade bracket on the BASE RACK.

Ensure the distance between the blade bracket and the edge of the tray is the same on both sides. Fully tighten all M8 Nyloc nuts.



Torque M8 to 22Nm (16lbf)

STEP 3 – ASSEMBLE AIR DEFLECTOR

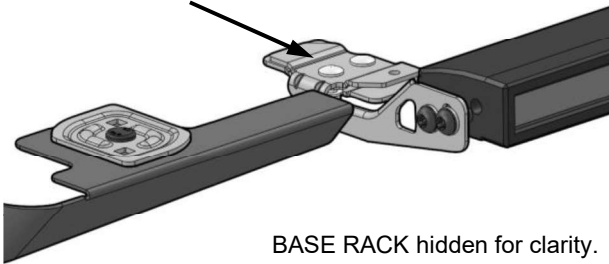


OPTIONAL: LIGHTBAR FITMENT

If fitting the Air Deflector together with a front mounted BASE RACK Light Bar, the Air Deflector needs to be modified as described:

10. -Make 4 cuts in the air deflector between the notches in the top edge and the laser cut shape as shown.
 -Discard the material removed.
 -Remove any sharp edges and paint raw edges with black touch-up paint.

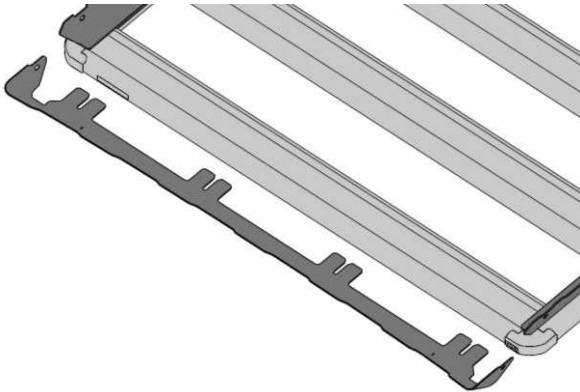
Extended bracket inward



OPTIONAL: LIGHTBAR FITMENT

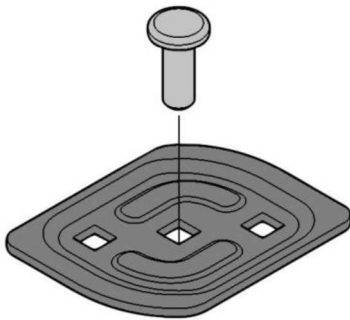
11. Install Light Bar with extended brackets mounted inward.

Refer to the instructions provided with the BASE RACK light bar for details on installation.

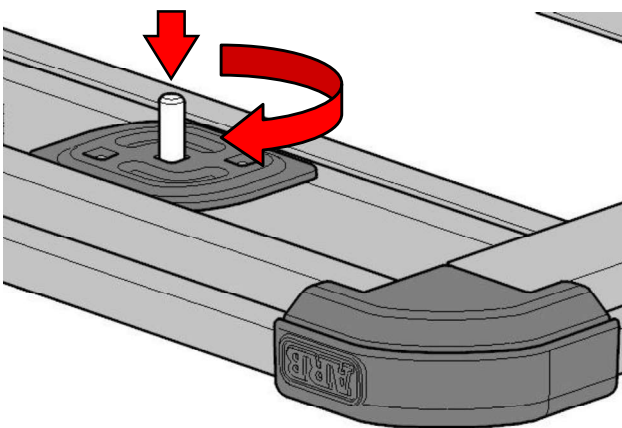


Note: BASE RACK should be upside down with the vehicle mount brackets fitted.

12. Lay the air deflector face down, parallel with the front of the BASE RACK. This will help determine the general position for the stud plates. Ensure the distance between the end of the deflector and outside of the tray is the same on both sides.

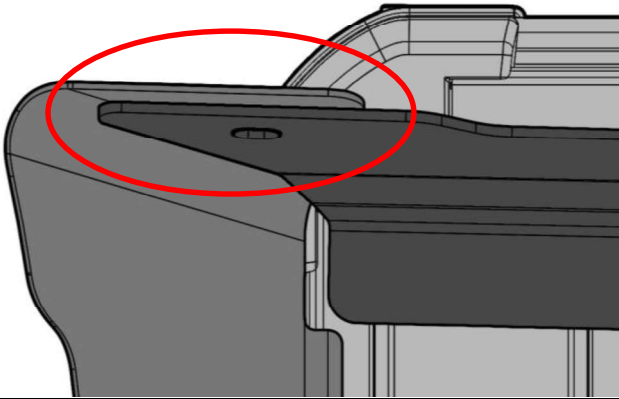


13. Insert one M8 x 20 Stud into each of the Stud Plates as shown.



14. Flip the plate over and insert each of the assembled stud plates into the front channel of the BASE RACK.

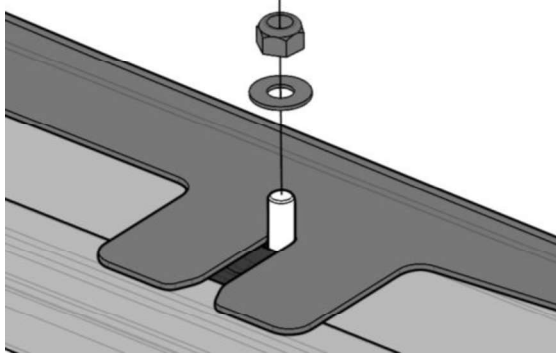
Rotate 90 degrees and ensure the axis of the bolt lines up with the holes in the air deflector.



15. Position the air deflector on the BASE RACK with the M8 studs in the slots.

Ensure the folded ends of the deflector are outside the ends of the blade brackets and at the same distance on both sides.

With Light Bar: Leave space (1.2mm) between the air deflector and the blade bracket for an M6 washer.

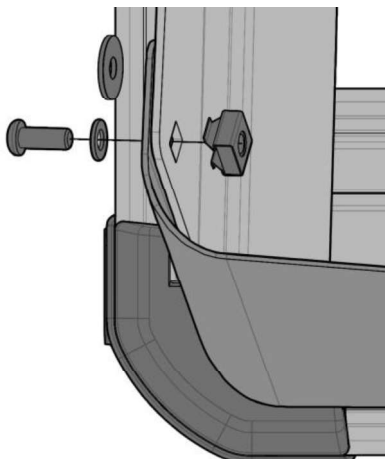


16. Attach the air deflector mounting slots to the stud plates with an M8 flat washer & nyloc nut.

Tighten all screws to specified torque.

 **Torque M8 to 22Nm (16lbf)**

17970060 - SWB ONLY



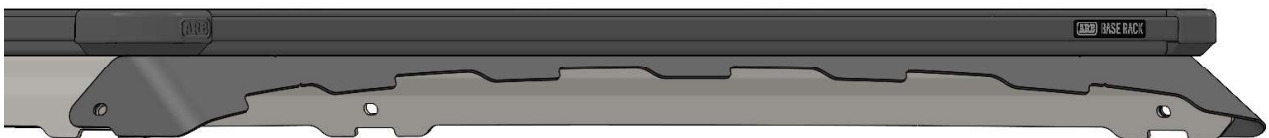
17. Install cage nut in location shown.

Place the large M6 washer (4581082) between the blade and the air deflector (You can use tape to hold the washer in place) and secure using the remaining M6 Button head screws and small M6 washers (4584329), as shown.

18. Tighten all screws to specified torque.

19.  **Torque M6 to 9Nm**

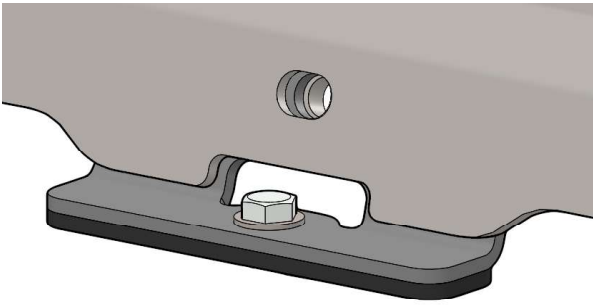
Fitted (LWB shown)



Fitted with the optional Light Bar (in front of deflector-LWB shown)

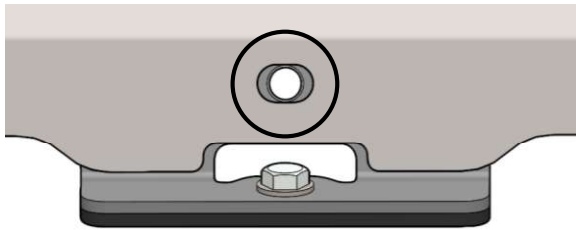


STEP 4 – ASSEMBLE BASE RACK TO ROOF

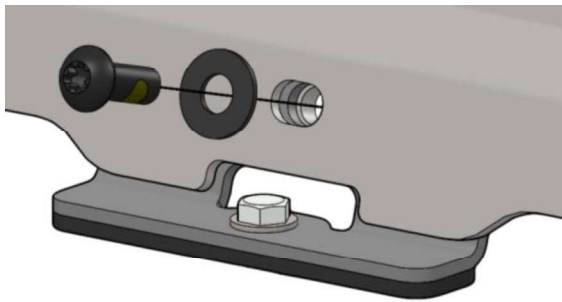


20. With assistance, carefully place the BASERACK on the vehicle so the inside of the blade brackets rests on the outside of the mounting brackets. The entire BASERACK assembly should be clear of the vehicle roof. All mounting holes/slots should align closely.

Note: Place protective material on roof to reduce the risk of accidental damage.



21. Confirm BASE RACK is correctly aligned to vehicle. If it is not, it is recommended to remove the BASE RACK from the vehicle roof and repeat the mounting process from the measurement step.

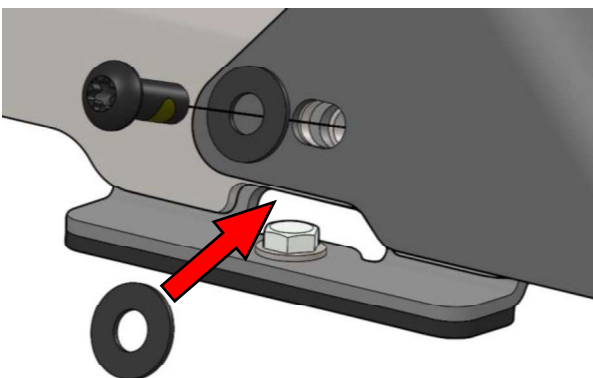


22. Use the M8 Button head Torx screws and M8 Black washers to secure the roof tray to the roof mounting brackets. Tighten all screws to the specified torque.



Torque M8 to 22Nm (16lbft)

1790080 - LWB ONLY

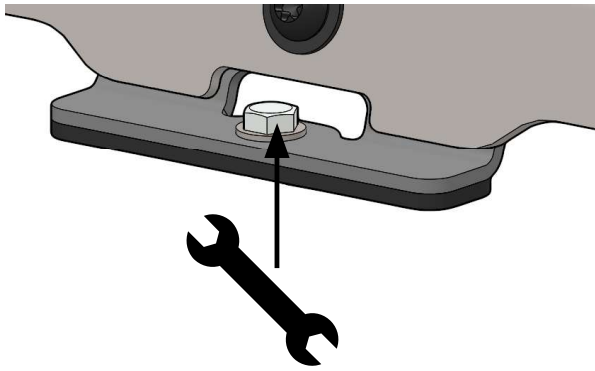


23. On the front mount, use an extra M8 Black washer between the air deflector and the blade bracket.

Tighten to the specified torque.



Torque M8 to 22Nm (16lbft)



24. **If needed**, loosen M6 Hexagonal screws of misaligned mount brackets. Then retighten to the specified torque.

 Torque M6 to 9Nm (7lbft)

