



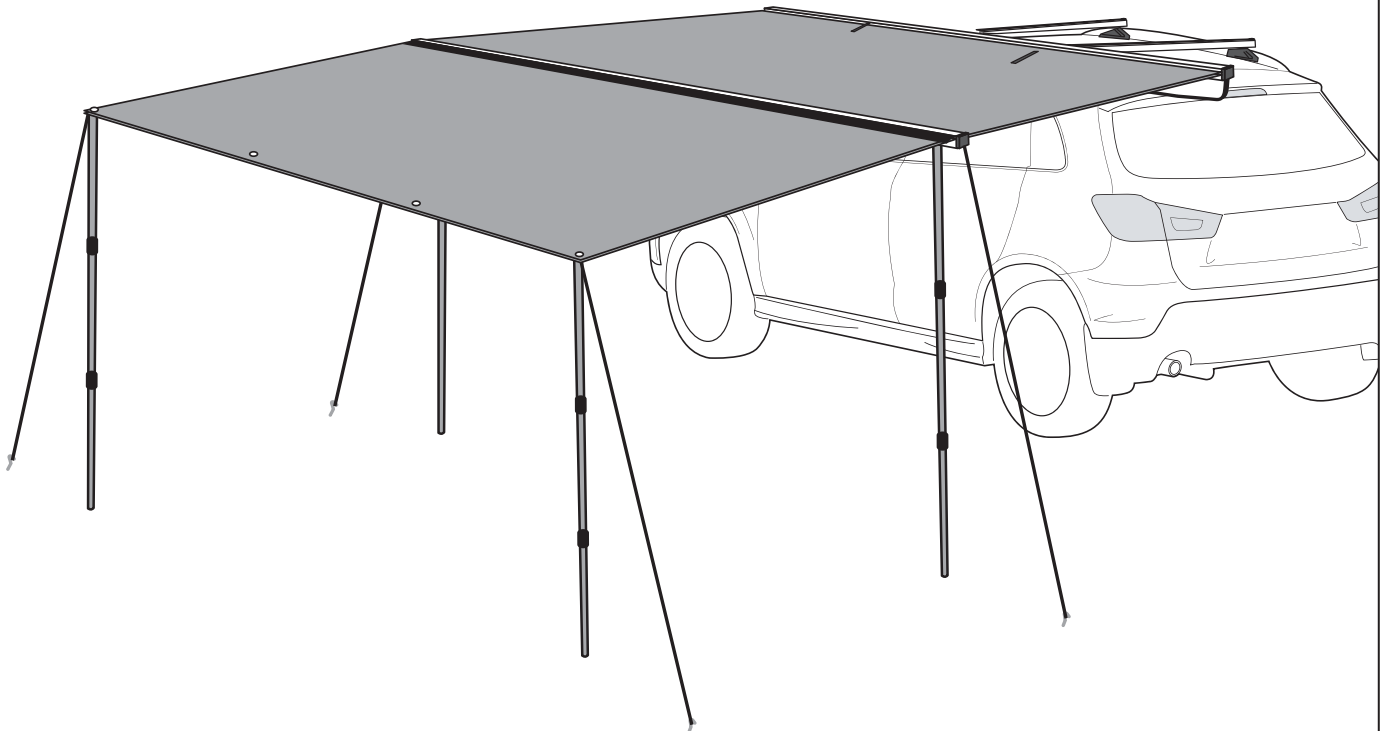
**CONTROLLED**

# RHINO-RACK

## Rhino-Rack SUNSEEKER Awning Extension 2.0m (32111)

**Important:** Please read these instructions carefully prior to installation. Please refer to your fitting instruction to ensure that the roof racks are installed in the correct locations. Check the contents of kit before commencing fitment and report any discrepancies. Place these instructions in the vehicle's glove box after installation is complete.

### Layout



**Note: The pegs and ropes must always be used when the SUNSEEKER awning and extension are open**

**This kit is to be used in conjunction with the Rhino-Rack SUNSEEKER Awning 2.0 metres (32109)**

### Important Information

**Please remove SUNSEEKER Awning and crossbars when putting vehicle through an automatic car wash.**

#### Note for Dealers and Fitters

It is your responsibility to ensure this fitting instruction is given to the end user or client

Rhino-Rack  
3 Pike Street, Rydalmere,  
NSW 2116, Australia.  
(Ph) (02) 9638 4744  
(Fax) (02) 9638 4822

Document No: R243  
Prepared By: Kayle Everett  
Authorised By: Chris Murty

Fit Time: 3-5min  
Issue No: 03  
Issue Date: 09/05/2017

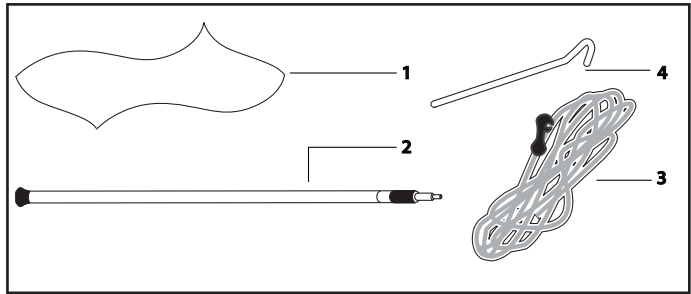
These instructions remain the property of Rhino-Rack Australia Pty Ltd and may not be used or changed for any other purpose than intended.



# Rhino-Rack SUNSEEKER Awning Extension 2.0m (32111)

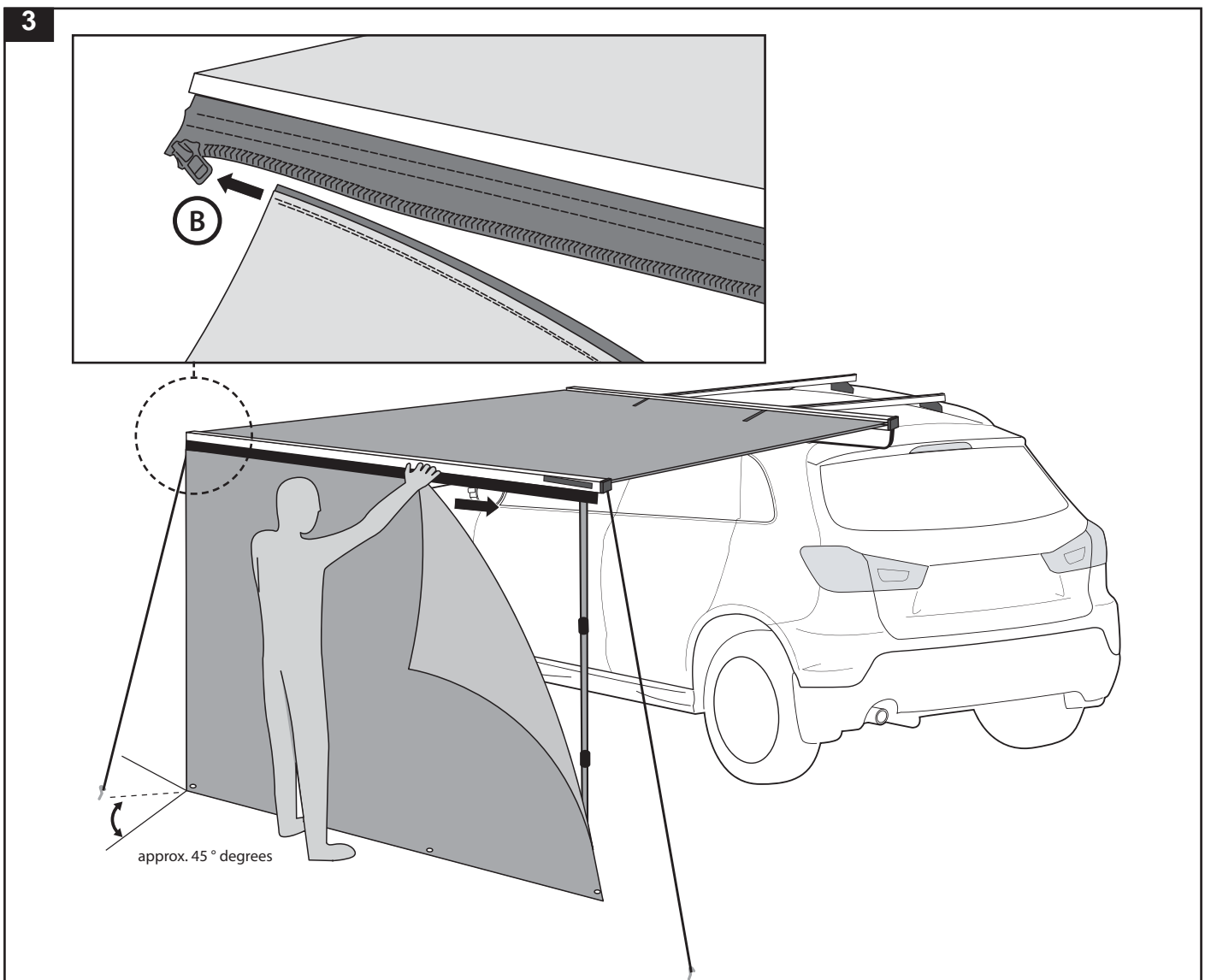
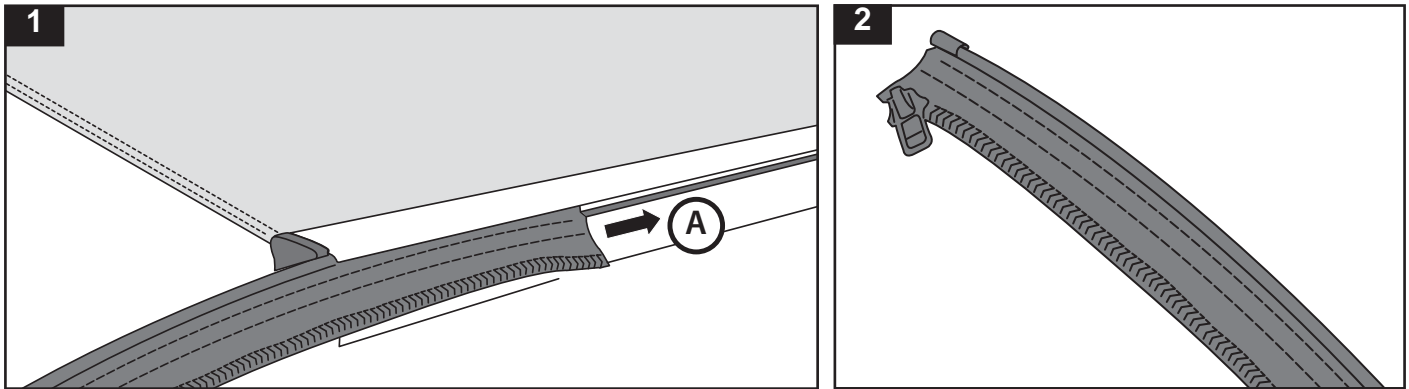
## Parts List

Item	Component	Qty	Part No.
1	Sunseeker 2m Extension	1	32111
2	Poles	2	C915
3	Guy Rope	2	C910
4	Metal Peg	3	C909
5	Fitting Instruction	1	R243



**Tools Required:** Mallet.

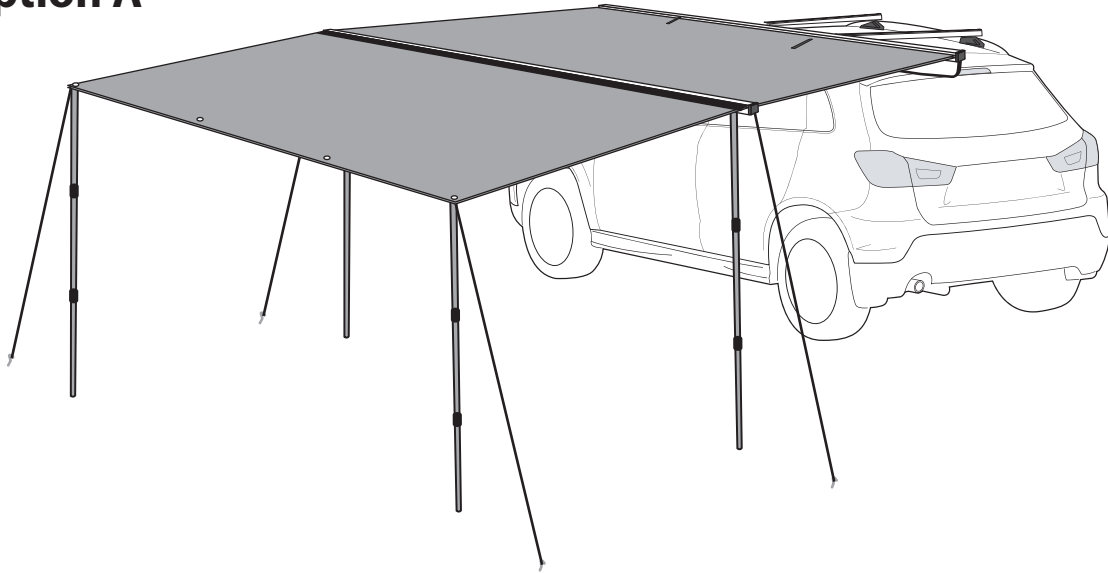
## Fitting Instructions





# Rhino-Rack SUNSEEKER Awning Extension 2.0m (32111)

## 4 Option A



## 5 Option B



## 6 Option C

