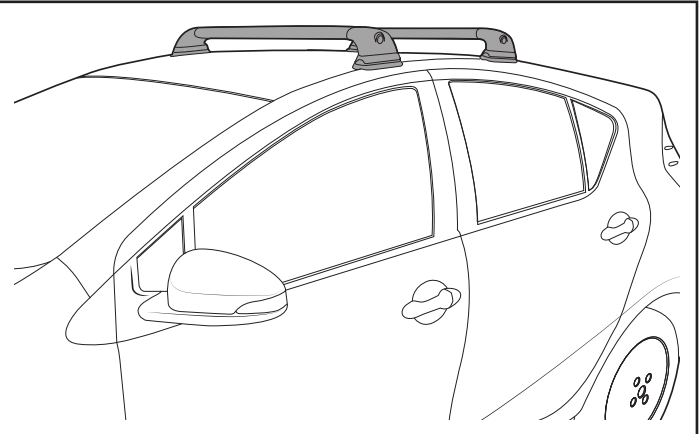
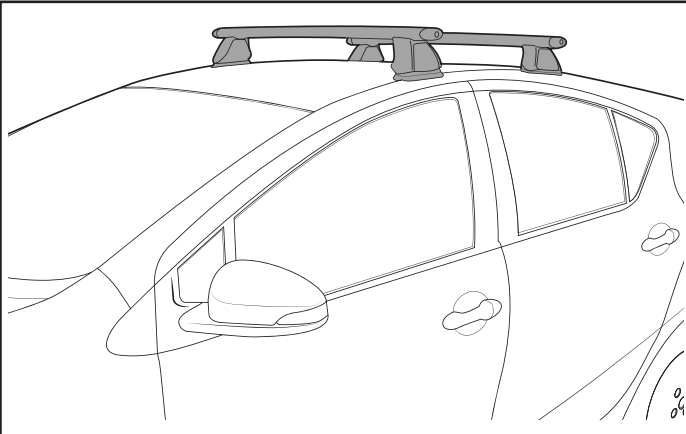




RHINO-RACK

Channel Mount Generic Instructions (RDM01).

Important: Please read these instructions carefully prior to installation. Please refer to your fitting instruction to ensure that the Roof Rack System is installed in the correct location. Check the contents of kit before commencing fitment and report any discrepancies. Place these instructions in the vehicle's glove box after installation is complete.



Download your Vehicle Fitment Sheet

Individual fitment sheets exist for most vehicles available, they provide specific fitment information that is relevant to each individual vehicle. Fitment sheets can be downloaded from the RhinoRack Website under 'Fit My Car'

Simply select the make and model of the vehicle, select the Pioneer tray of choice and click on instructions:

<http://www.rhinorack.com.au/fit-my-car/select-vehicle>

- | | |
|---|--|
| 1. <input type="checkbox"/> Check Part No./Kit is correct | 2. <input type="checkbox"/> Read through instruction before installing |
| 3. <input type="checkbox"/> Fit roof rack accessory | 4. <input type="checkbox"/> Check and recheck all fasteners are secure |

Maximum carrying capacity: 75kg (165lbs) including the weight of the rack system.

Please refer to your vehicle manufacturers handbook for maximum carrying capacity. Always use the lower of the two figures. Load must be evenly distributed over the entire basket.

Warning: Do not attempt to fit the rack system to your vehicle unless you fully understand these fitting instructions. Please direct any questions regarding fitting to the dealer from where the roof racks were purchased.

Use only non-stretch fastening ropes or straps.

Recommendations: It is essential that all bolt connections be checked after driving a short distance when you first install your roof racks. Bolt connections should be checked again at regular intervals (once a week is enough, depending on road conditions, usage, loads and distances travelled). You should also check the roof racks each time they are re-fitted. Always make sure to fasten your load securely. Please also ensure that all loads are evenly distributed and that the centre of gravity is kept as low as possible and must be entirely contained within the extents of the roof racks. **Rack System must be removed when putting vehicle through an automatic car wash.**

Caution: The handling characteristics of the vehicle changes when you transport a load on the roof. For safety reasons we recommend you exercise extreme care when transporting wind-resistant loads. Special consideration must be taken into account when cornering and braking.

Off-road use:

The Track Rack System may be used in off road applications, however a safety factor of 2 is enforced. That is, maximum permissible off road load is **37.5kg (82lbs)**. Although the crossbars are tested and approved to AS1235-2000/ 15011154, off-road conditions can be much more rigorous. Extreme care must be taken in off road conditions

Note for Dealers and Fitters:

It is your responsibility to ensure these fitting instructions are given to the end user or client.

Rhino-Rack 3 Pike Street, Rydalmere,

NSW 2116, Australia.

(Ph) (02) 9638 4744

(Fax) (02) 9638 4822

Document No: R877

Prepared By: Kayle Everett

Authorised By: Chris Murty

Fit Time: 1 hour

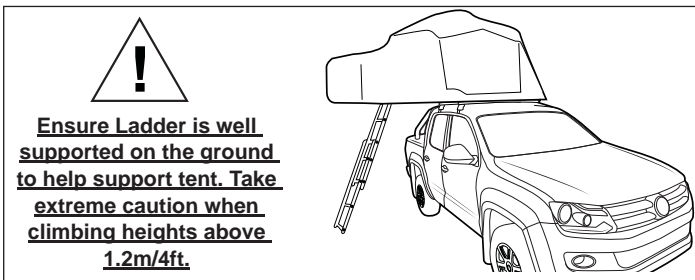
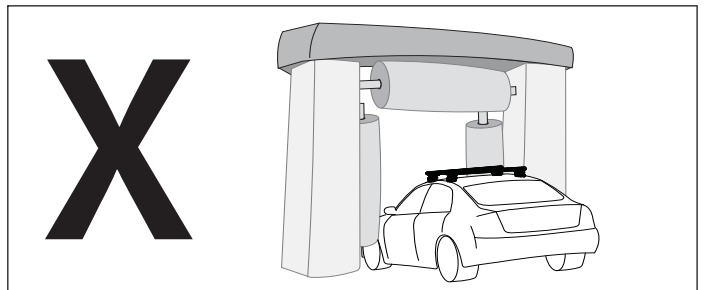
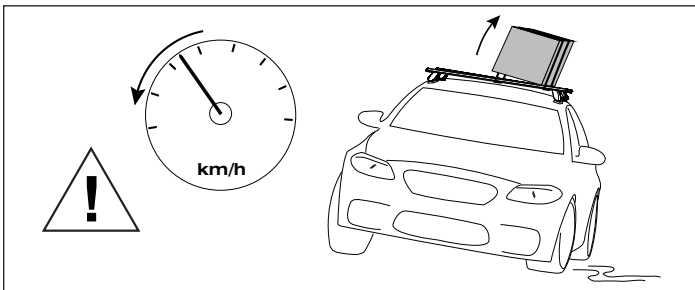
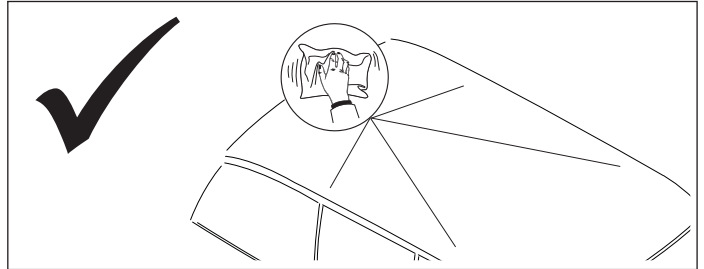
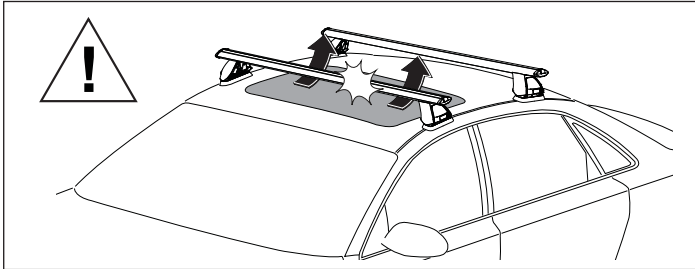
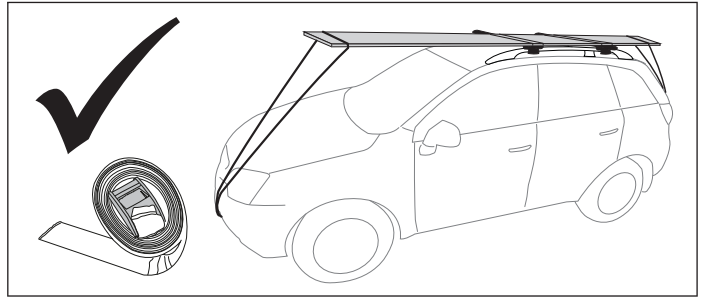
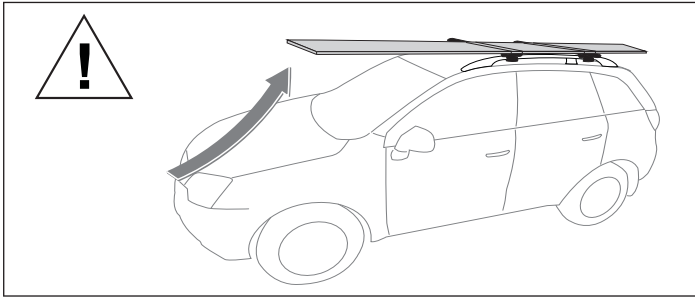
Issue No: 04

Issue Date: 20/02/2017

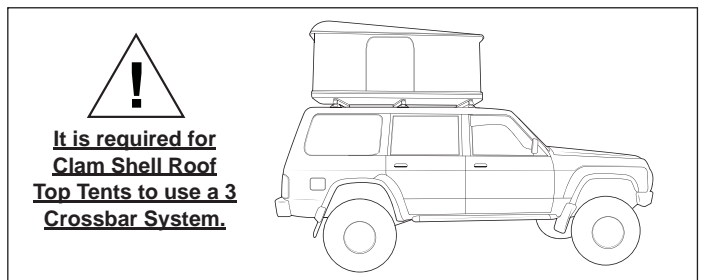
These instructions remain the property of Rhino-Rack Australia Pty. Ltd. and may not be used or changed for any other purpose than intended.



Channel Mount Generic Instructions (RDM01).

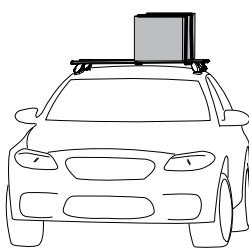


Ensure Ladder is well supported on the ground to help support tent. Take extreme caution when climbing heights above 1.2m/4ft.



It is required for Clam Shell Roof Top Tents to use a 3 Crossbar System.

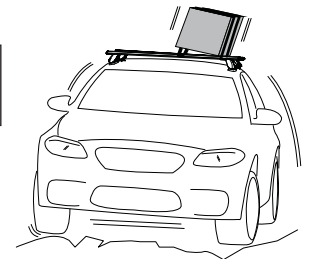
When these roof racks are to be used on a vehicle that is driven off sealed roads, the manufacturer maximum roof load rating (to be found in the vehicles User Manual) should be **divided by 2**. Do not forget to subtract the complete crossbar system weight from your maximum carrying capacity.



75kg/165lbs
(Urban Road)

=

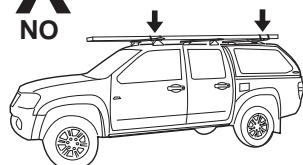
37.5kg/82lbs
(Off Road)



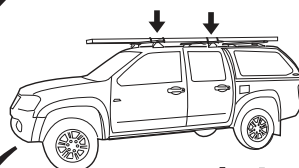
WARNING! Important Load Carrying Instructions

With utility vehicles, the cabin and the canopy move independently. Roof racks and vehicle can be damaged if the item transported is rigidly fixed at points on both the cabin and canopy. Instead, rigidly fix to either the cabin roof racks or the canopy roof racks.

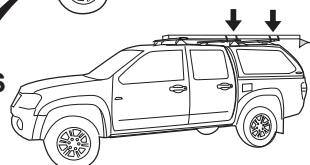
X
NO



✓
YES

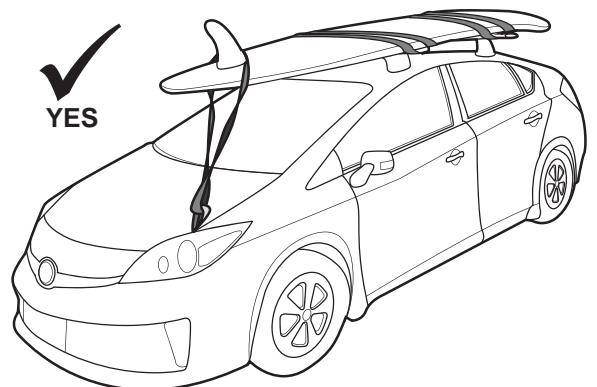


✓
YES



Stand Up Paddle/ Surfboards should be fixed to the front of the vehicle.

✓
YES

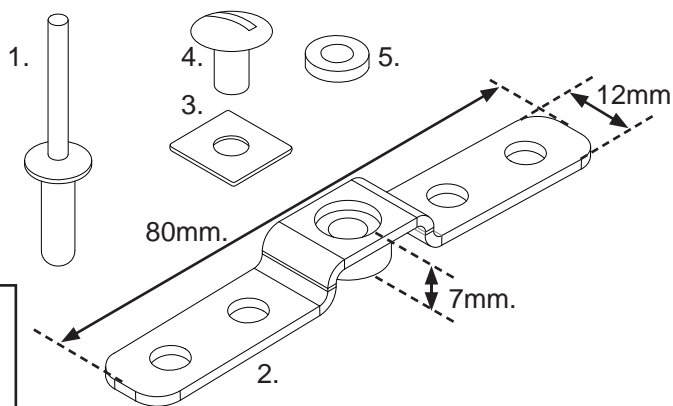




Channel Mount Generic Instructions (RDM01).

Parts List

Item	RDM01	Qty	Part No.
1	Rivet Avdel, Grip 4.8-11.1	16	H053
2	Roof Ditch Bracket C	4	CA1500
3	Butyl Patch	16	CA1556
4	Black Plastic Caps	4	B240
5	Rivet Spacer 4mm	1	CA1555
6	Instructions	1	R877



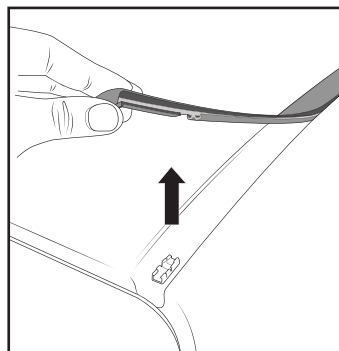
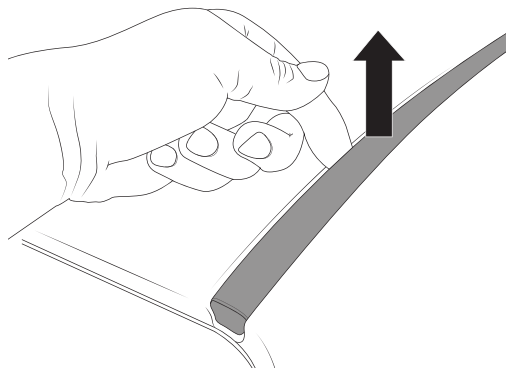
Tools Required:

- | | | |
|--------------------|----------------------------|----------------|
| 1. Measuring Tape. | 5. Flat Blade Screwdriver. | 5. Hole Punch. |
| 2. Drill. | 6. Cold Galvanising Paint. | 6. Dremel. |
| 3. 5mm Drill Bit. | 7. Cotton Buds. | 7. Marker |
| 4. Drill Stop. | 8. Pneumatic Rivet Gun. | |

Note: Instructions to be used as guide only. Vehicle specific instructions can be downloaded at www.rhinorack.com.au/fit-my-car. The Roof Ditch Brackets are intended to be fitted into the roof ditch only.

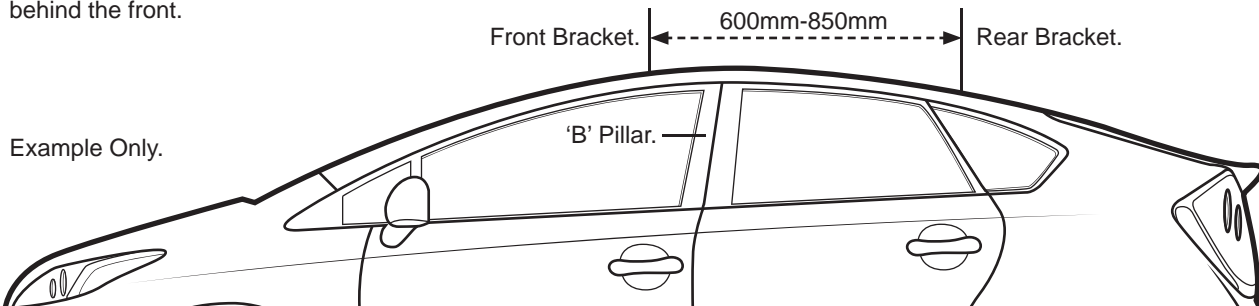
Instructions

- 1** Move to the roof of the vehicle. Carefully pry out the Ditch Mould with a finger near the windshield.



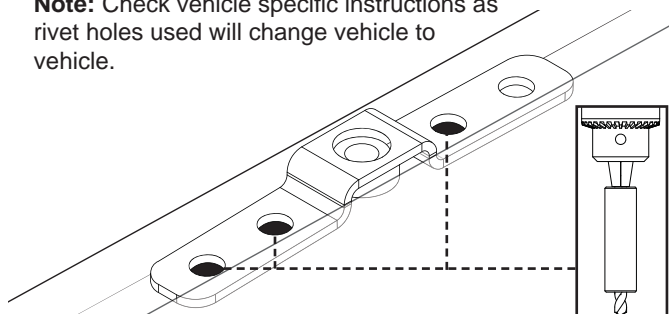
Be sure to check vehicle specific instructions for removing Ditch Mould. Some vehicles may use clips to hold the Mould in place. Care is needed as to not damage them in removal.

- 2** Select the Bracket positions best suited to the vehicle in the roof ditch. Reference vehicle specific fitting sheets if available. Note: The Front Bracket should be placed close to the 'B' Pillar. Space the Rear Bracket 600mm-850mm behind the front.



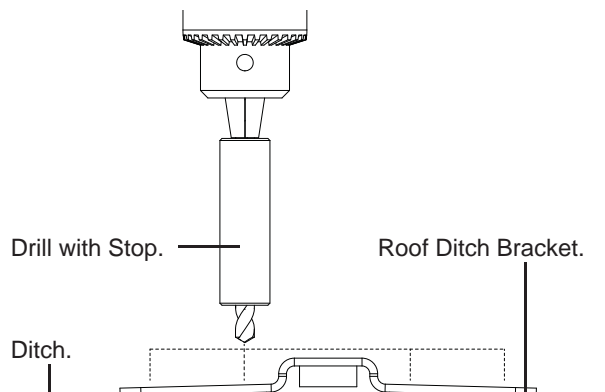
- 3** Place the Brackets into the roof ditch at these locations. With a drill bit, mark each of the three rivet holes.

Note: Check vehicle specific instructions as rivet holes used will change vehicle to vehicle.



A minimum of 2 and a maximum of 4 Rivets are required to install the Bracket (with at least 1 each side). Either are suitable unless specified otherwise by Rhino-Rack in the vehicle specific fit sheets.

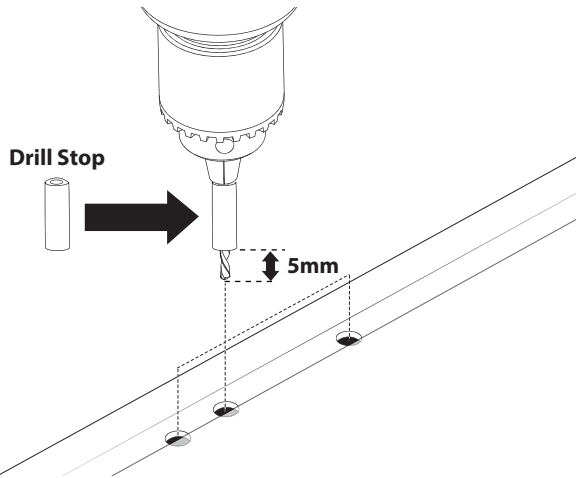
- 4** Spot drill all marked holes in the ditch. Be sure to use a drill stop.



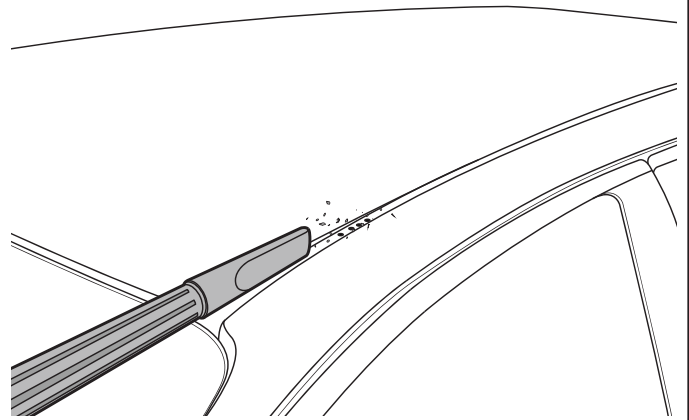


Channel Mount Generic Instructions (RDM01).

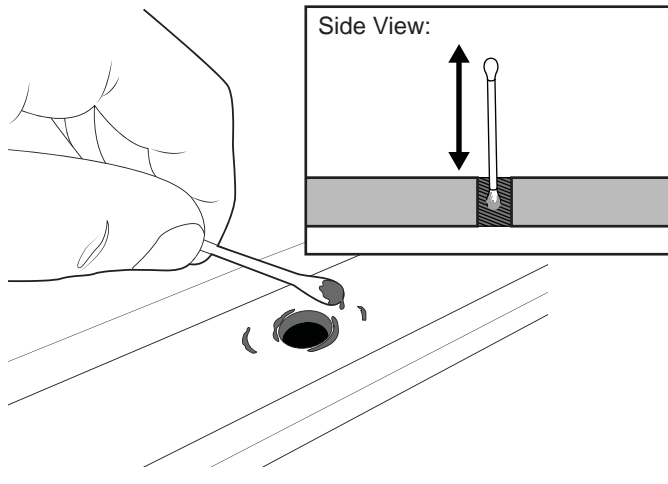
- 5** Drill out all marked holes with a 5mm Drill Bit. Use a Drill Stop set to 5mm-7mm.



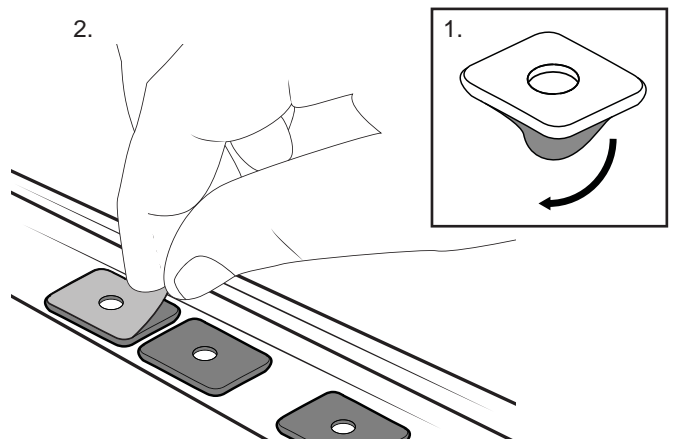
- 6** Vacuum and swarf from the roof ditch.



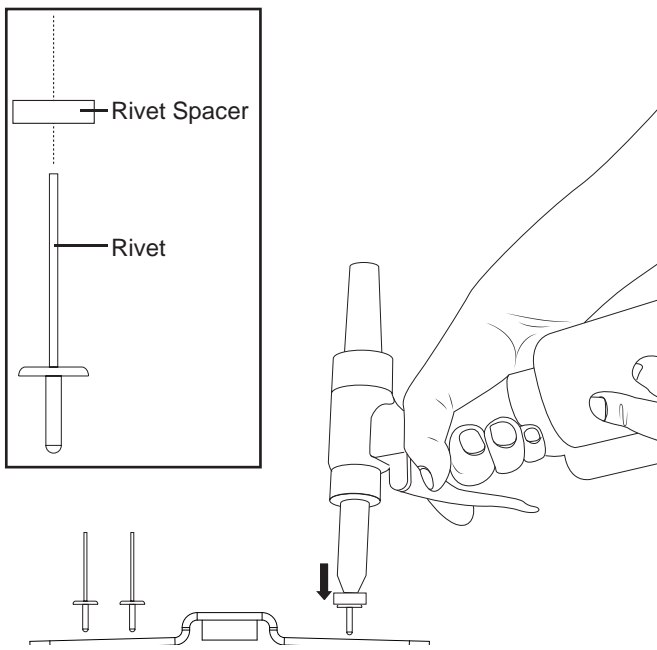
- 7** Using Cold Galvanising Paint, cover all drilled areas and any exposed body work.



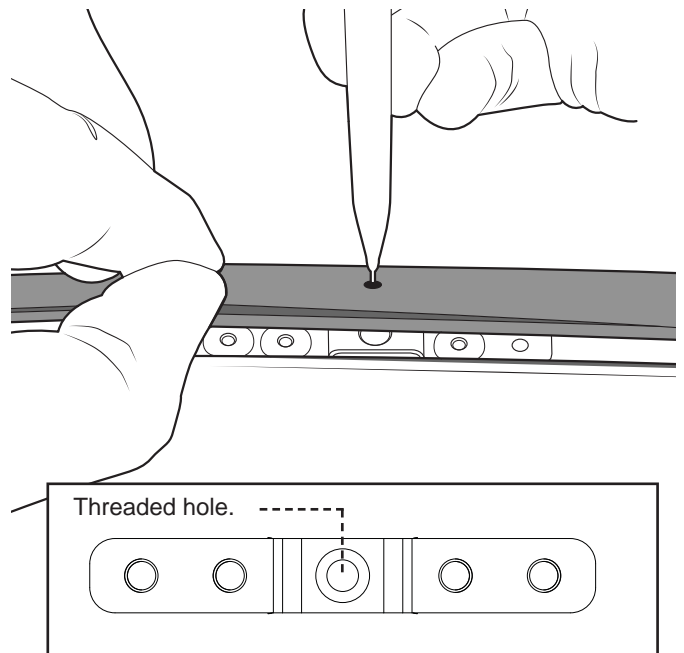
- 8** Peel off the one side of backing tape on the Butyl Patches provided. Place these carefully over all holes drilled. Remove the top layer of backing tape as shown.



- 9** Press the Ditch Brackets into position over the drilled holes. Using a Pneumatic Rivet Gun and Rivet Spacer, fix the Brackets in place with Rivets provided. Be sure Brackets are aligned correctly.



- 10** Place the Ditch Mould back into place. Carefully lift the Mould slightly over the installed Brackets. With a pen, mark the point where the Mould sits over the thread on the Bracket.

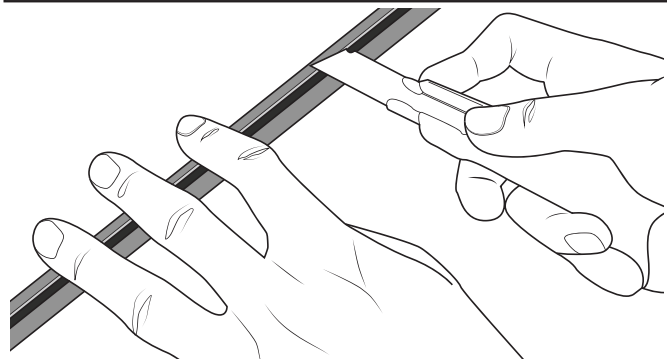
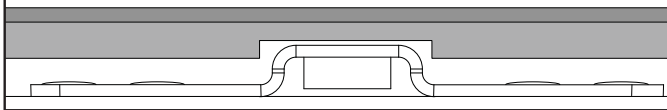




Channel Mount Generic Instructions (RDM01).

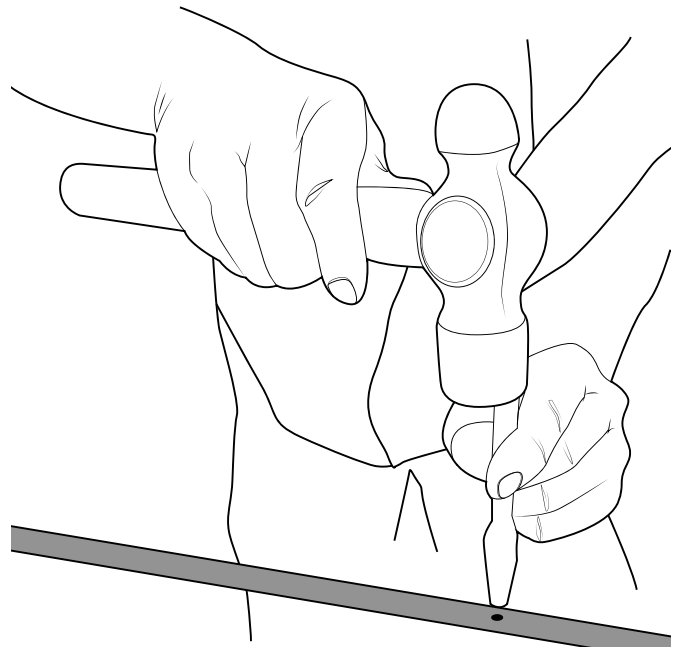
- 11** Remove the Ditch Mould. With a sharp Blade or Cutters, on the underside of the location previously marked, remove enough material so that the Mould will sit flush with the top of the Bracket when placed into position.

Side View: Cut enough room for the Bracket to sit under the Mould without obstruction.

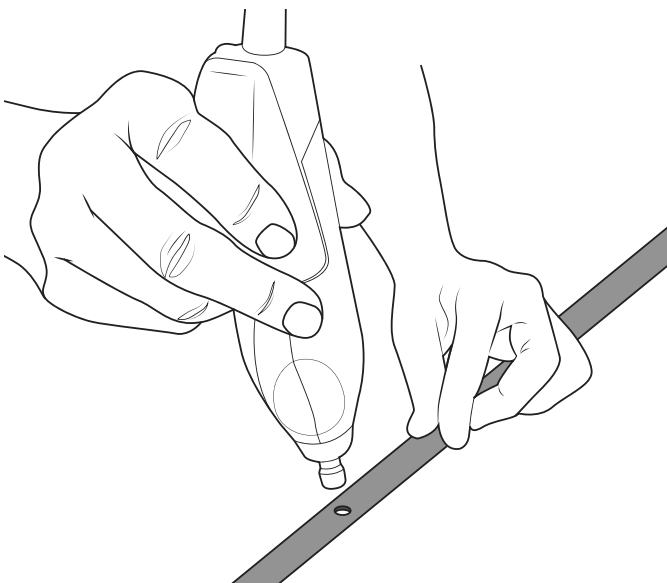


Be sure to check vehicle specific instructions for variance to this and the following steps.

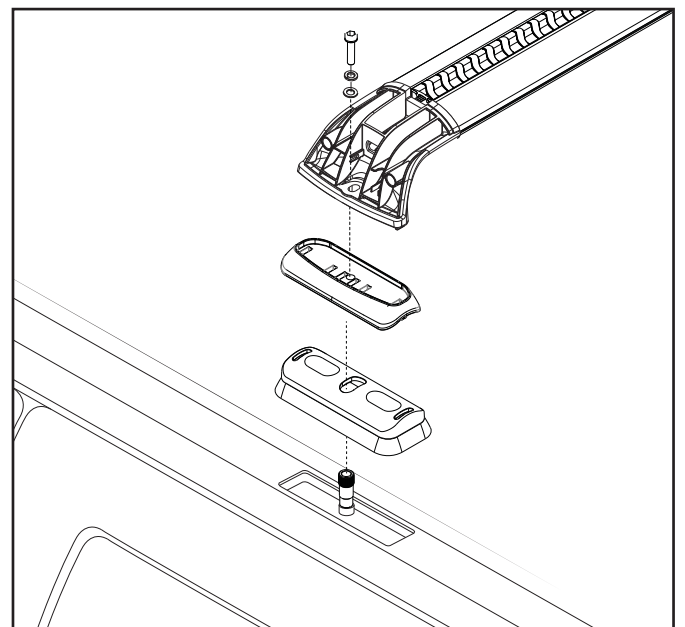
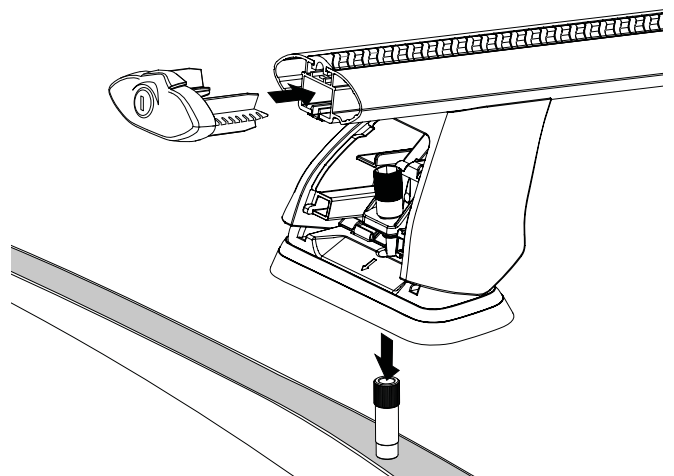
- 12** Using a Hole Punch, carefully tap out a 12mm hole on the mark made in step 10.



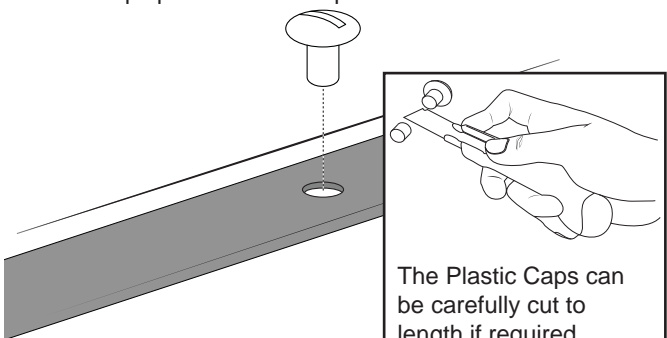
- 13** Using a Dremel and a fine sanding head, clean up the holes made in the previous step.



- 14** Attach Crossbars as per corresponding instructions.



- 15** Note when Crossbars are not in use, they can be removed. With a Flat Blade Screwdriver install the Plastic Caps provided in their place.



The Plastic Caps can be carefully cut to length if required.