

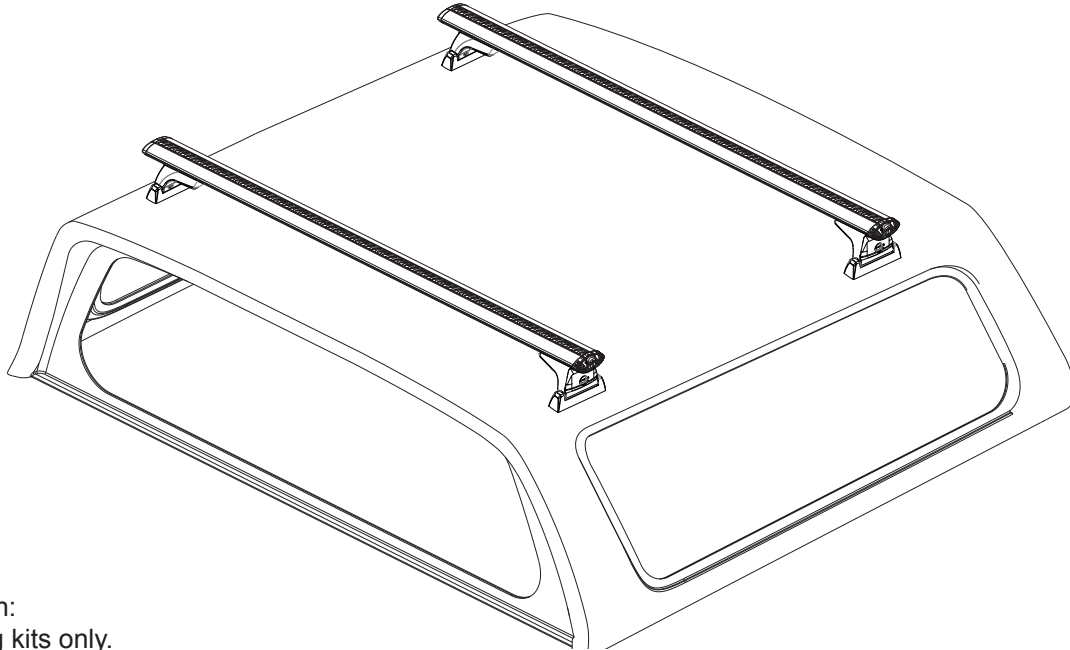


RHINO-RACK

QMCM01/ QMCM02 RLT600 Canopy Fit

Important: Please read these instructions carefully prior to installation. Please refer to your fitting instruction to ensure that the Canopy Rack System is installed in the correct location. Check the contents of kit before commencing fitment and report any discrepancies. Place these instructions in the vehicle's glove box after installation is complete.

Layout



For Use with:
RLT600 Leg kits only.

Maximum load carrying capacity: 100kg / 220lbs

Important Information

1. Check Part No./Kit is correct
2. Read through instruction before installing
3. Fit roof rack accessory
4. Check and recheck all fasteners are secure

Maximum carrying capacity: 100kg (220lbs) including the weight of the rack system 5kg (11lbs).

Please refer to your vehicle manufacturers handbook for maximum carrying capacity. Always use the lower of the two figures. Load must be evenly distributed over the entire basket. Suitable for fibreglass or reinforced canopies/shells.

Warning: Do not attempt to fit the canopy rack system to your vehicle unless you fully understand these fitting instructions. Please direct any questions regarding fitting to the dealer from where the roof racks were purchased.

Use only non-stretch fastening ropes or straps.

Recommendations: It is essential that all bolt connections be checked after driving a short distance when you first install your roof racks. Bolt connections should be checked again at regular intervals (once a week is enough, depending on road conditions, usage, loads and distances travelled). You should also check the roof racks each time they are re-fitted. Always make sure to fasten your load securely. Please also ensure that all loads are evenly distributed and that the centre of gravity is kept as low as possible and must be entirely contained within the extents of the roof racks.

Canopy Rack System must be removed when putting vehicle through an automatic car wash.

Caution: The handling characteristics of the vehicle changes when you transport a load on the roof. For safety reasons we recommend you exercise extreme care when transporting wind-resistant loads. Special consideration must be taken into account when cornering and braking.

Off-road use:

The Canopy Rack System may be used in off road applications, however a safety factor of 2 is enforced. That is, maximum permissible off road load is **50kg 110lbs**). Although the crossbars are tested and approved to AS1235-2000, off-road conditions can be much more rigorous. Increasing the number of crossbars does not increase the vehicles maximum permissible roof loading.

Note for Dealers and Fitters:

It is your responsibility to ensure these fitting instructions are given to the end user or client.

Rhino-Rack 3 Pike Street, Rydalmere,
NSW 2116, Australia.
(Ph) (02) 9638 4744
(Fax) (02) 9638 4822

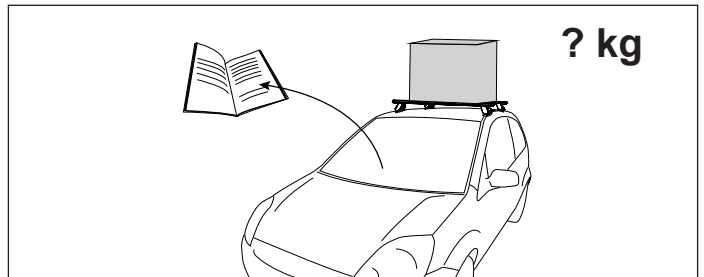
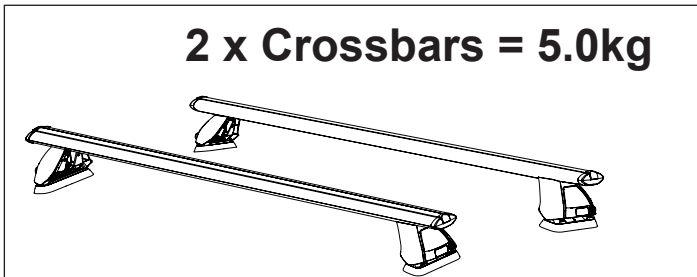
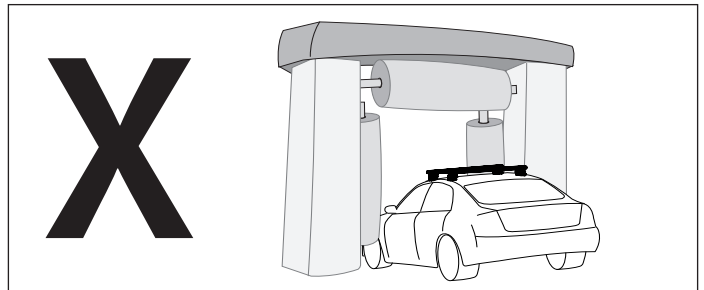
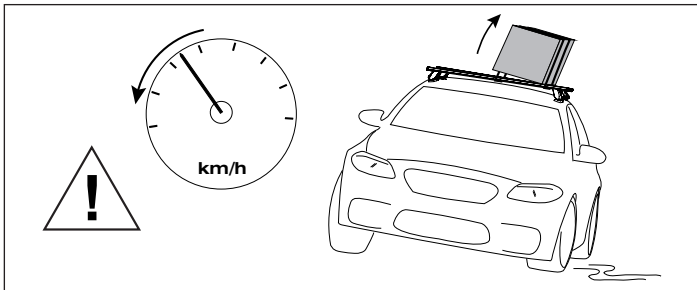
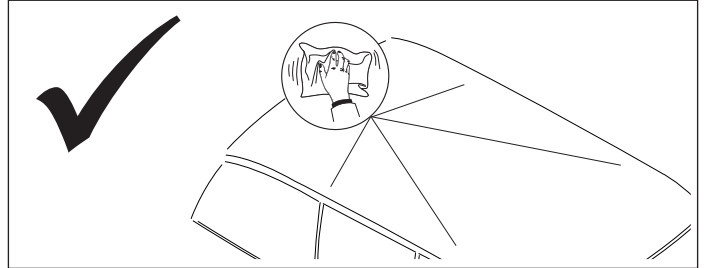
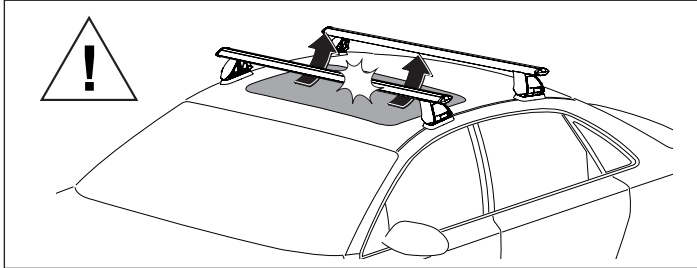
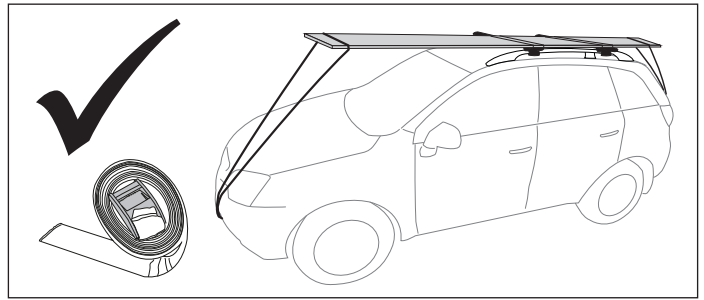
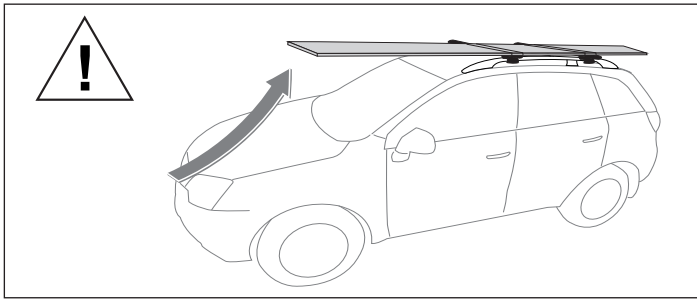
Document No: R714
Prepared By: Kayle Everett
Authorised By: Chris Murty

Fit Time: 45min
Issue No: 02
Issue Date: 15/07/2015

These instructions remain the property of Rhino-Rack Australia Pty. Ltd. and may not be used or changed for any other purpose than intended.

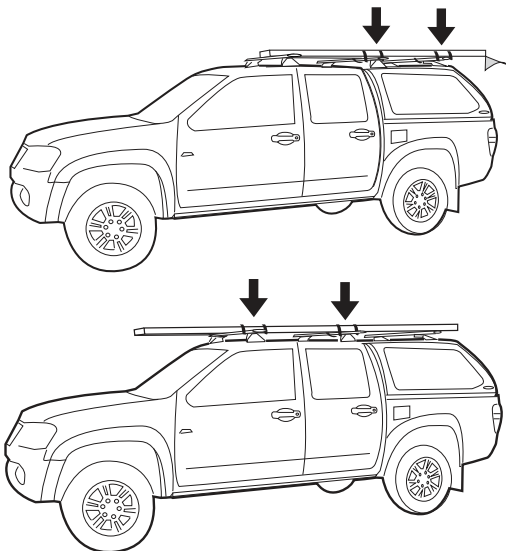


QMCM01/ QMCM02 RLT600 Canopy Fit

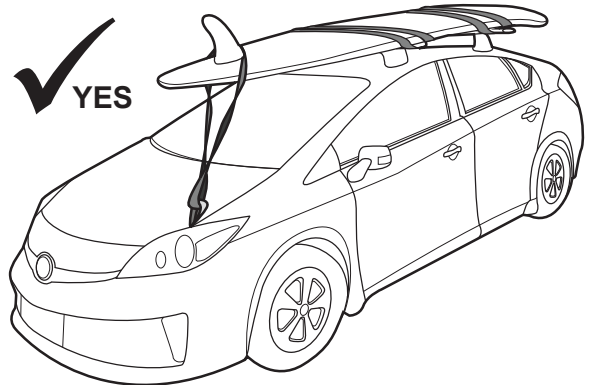


WARNING! Important Load Carrying Instructions

With utility vehicles, the cabin and the canopy move independently. Roof racks and vehicle can be damaged if the item transported is rigidly fixed at points on both the cabin and canopy. Instead, rigidly fix to either the cabin roof racks or the canopy roof racks.



Paddle/ Surfboards should be fixed to the front of the vehicle.





QMCM01/ QMCM02 RLT600 Canopy Fit

Parts List

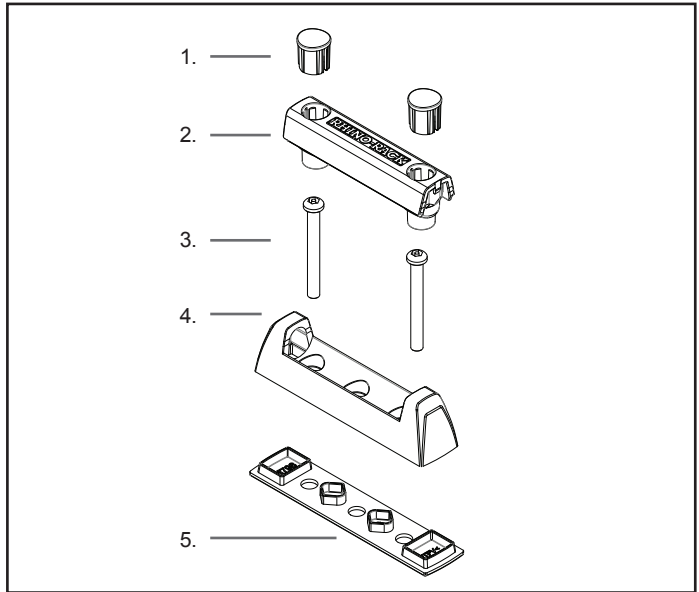
Item.	Description.	Kit 01	Kit 02	Part.
1	Quick Mount Screw Cover	8	4	M767
2	Quick Mount Backing Plate	4	2	M766
3	M6x40 Button HD Sec Screw	8	4	B085
4	Quick Mount Leg Base	4	2	M701
5	RLT600 Flat Base	4	2	M796
6	Instructions	1	1	R714

Tools Required

- | | |
|------------------|--------------------|
| 1. Drill | 4. 6.5mm Drill Bit |
| 2. Masking Tape | 5. Marker |
| 3. 3mm Drill Bit | |

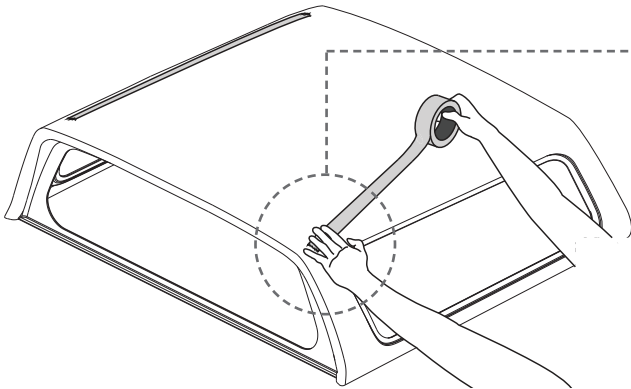
Parts Required

RLT600 Leg Kit
VA 1260 Corssbars

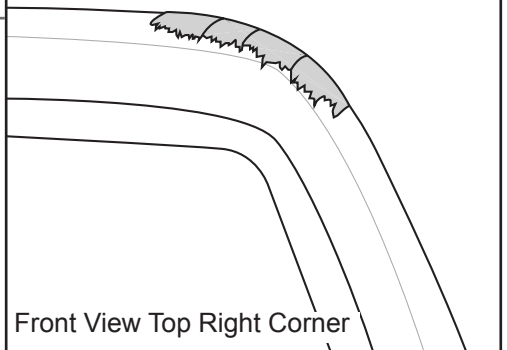


Instructions

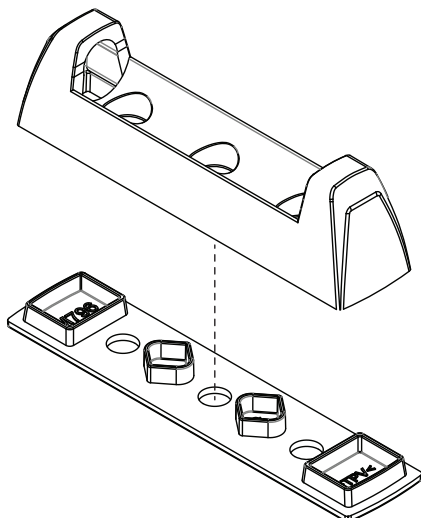
- 1** Place masking tape onto the Canopy to adequately cover the approximate area to be drilled. This protects the polished Canopy finish from being scratched during installation.



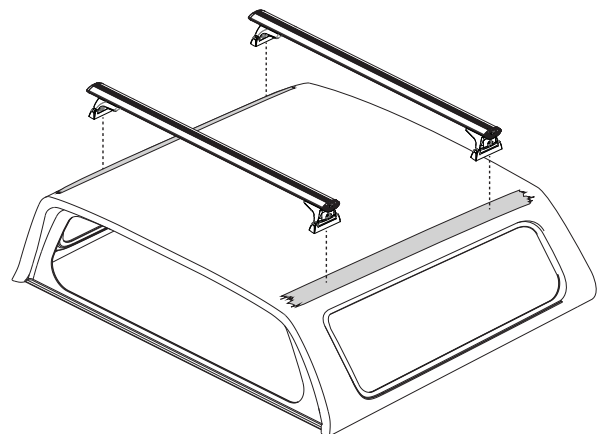
Be sure to adequately cover the working area of the Canopy.



- 2** Place the RLT600 Flat Base into the Quick Mount Leg Bases.



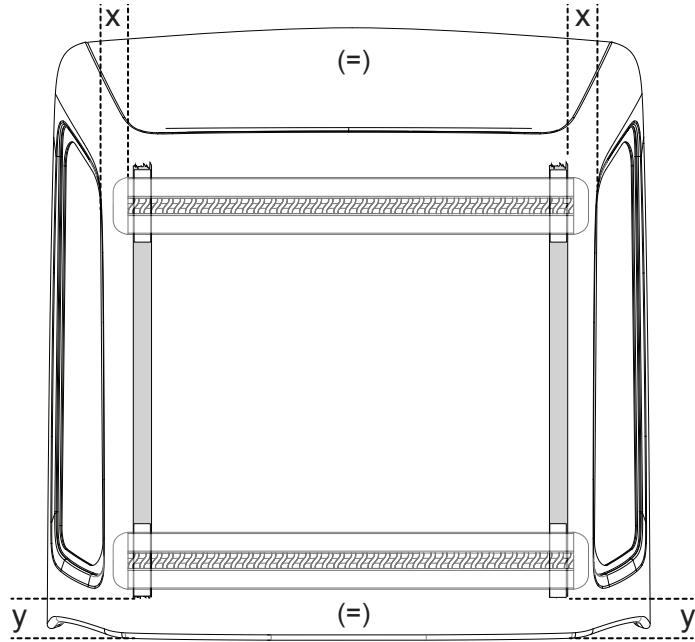
- 3** Place the completed RLT600 Crossbars (follow instructions found in the RLT600 kit) onto the Canopy in the desired locations. Be sure to select the strongest section of the roof and that the bars are evenly placed. A slight curve is acceptable.



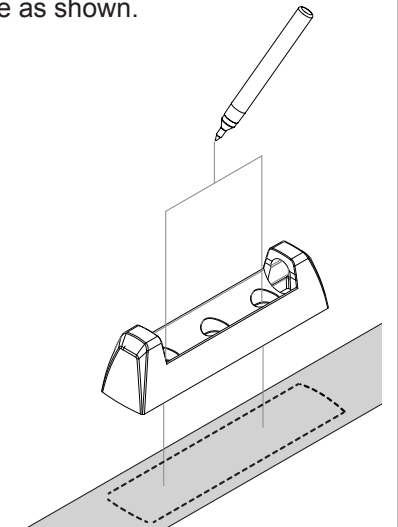
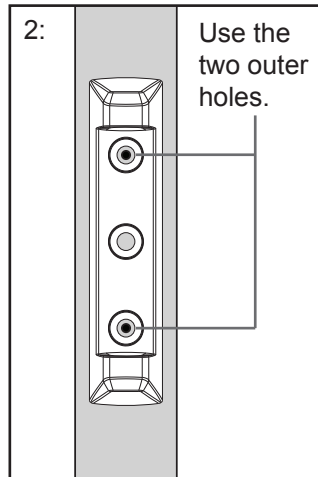
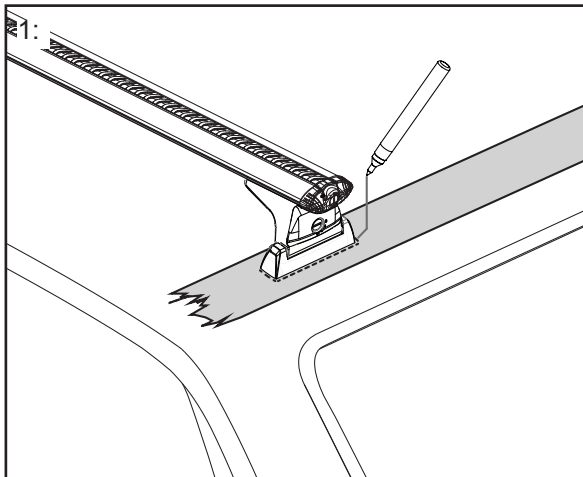


QMCM01/ QMCM02 RLT600 Canopy Fit

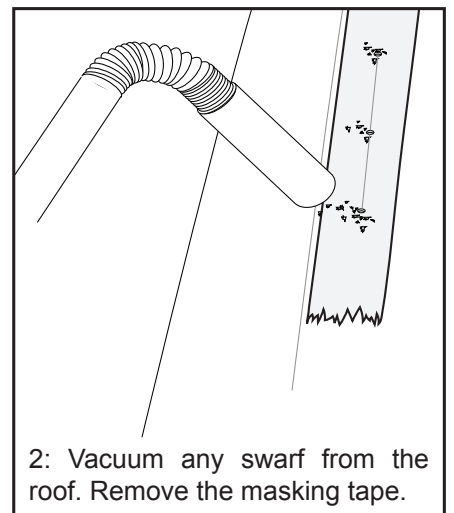
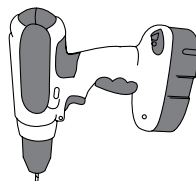
- 4** Be sure the Crossbars are evenly placed onto Canopy. Take measurements to ensure the positioning is correct.



- 5** 1: Trace around the Leg Bases on both bars as shown. 2: Remove the Crossbars and place a Leg Base on the areas previously marked. Spot mark the two **OUTER** holes in the Leg Base as shown.



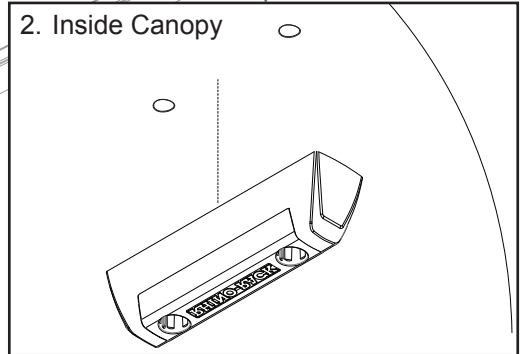
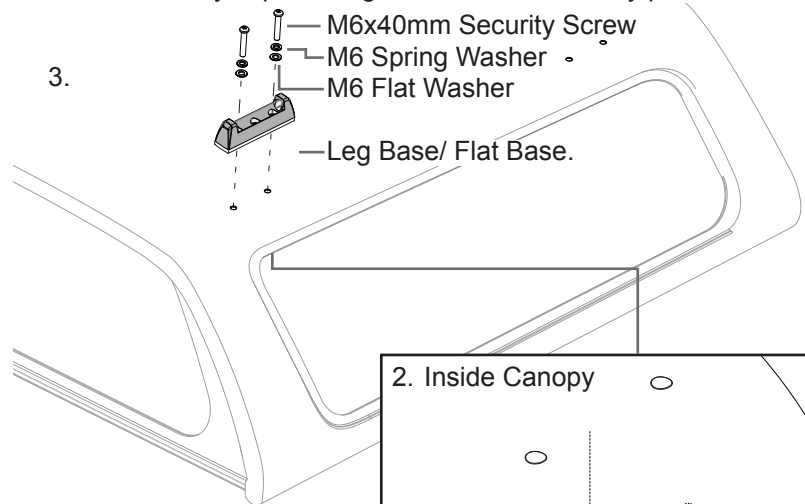
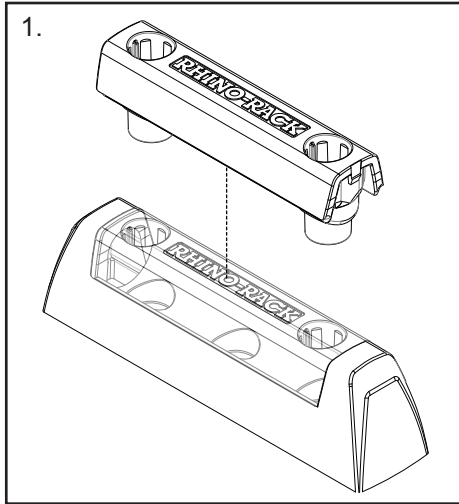
- 6** 1: Double check measurements. Remove the Leg Bases and drill through the Canopy with a 3mm drill bit. Once these pilot holes are completed, enlarge each of these with a 6.5mm drill bit.



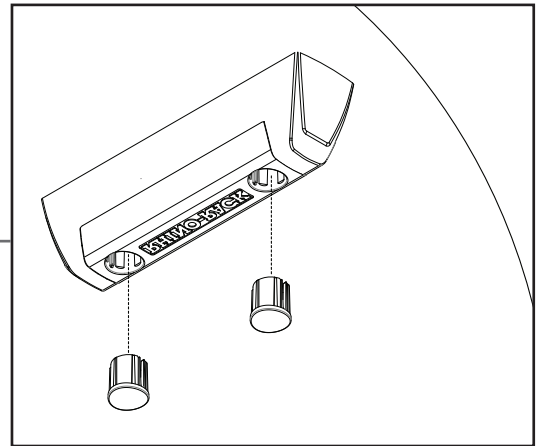
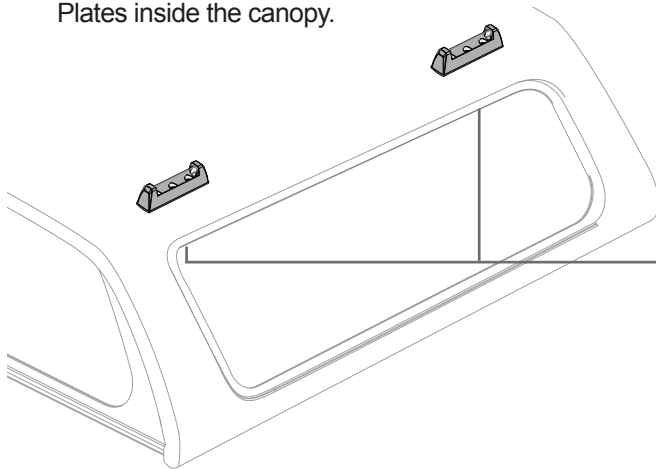


QMCM01/ QMCM02 RLT600 Canopy Fit

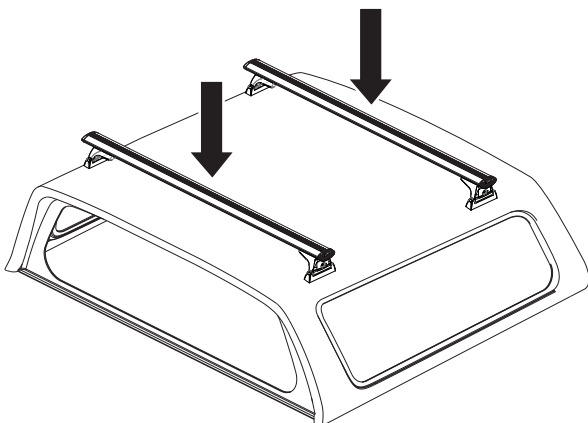
7 1: Assemble the Quick Mount Base and Backing plate as shown. 2: Hold the assembly over the holes drilled through the canopy on the inside. 3: With assistance, place the RLT600 kit Leg Base and Flat Base over the holes drilled on the outside of the canopy. Using the M6x40mm security screws in this kit and the M6 spring and flat washers from the RLT600 kit, fix the assembly in place. Tighten with the allen key provided in the RLT600 kit.



8 With the assemblies tightened in place, insert the Quick Mount Screw Covers into all Backing Plates inside the canopy.



9 Replace the Crossbars onto the Canopy.



10 Check all fixtures are secure before use.

