

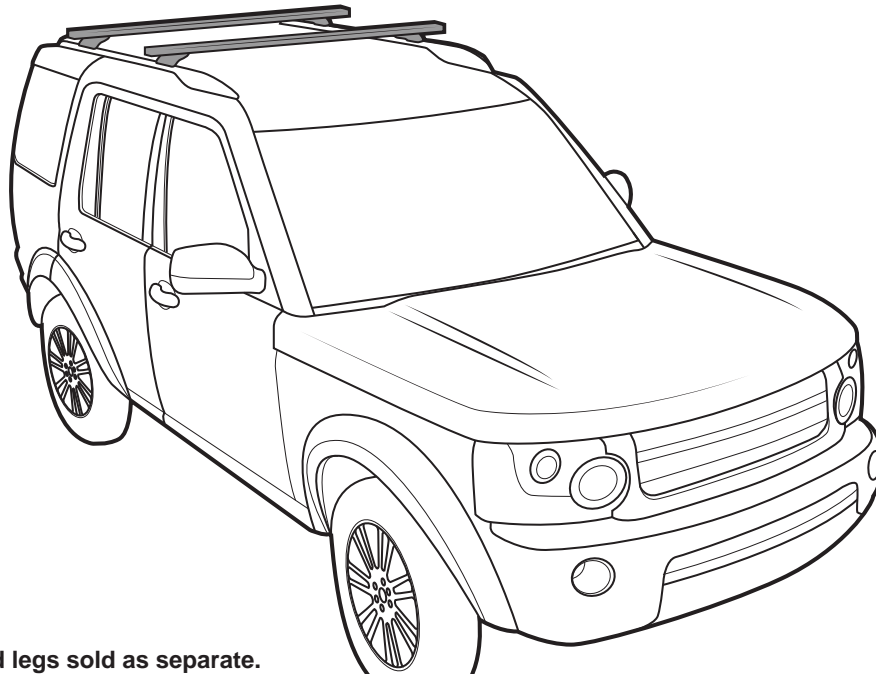


# RHINO-RACK

## RCP61-BK Landrover Discovery

- Important:**  1. Please refer to your fitting instruction to ensure that the roof racks are installed in the correct locations.
2. Check the contents of kit before commencing fitment and report any discrepancies.
3. Place these instructions in the vehicle's glove box after installation is complete.

**Layout:**  4. These instructions must be followed for warranty to be upheld.



**Note: Crossbars and legs sold as separate.**

**Maximum carrying capacity: 100kg (220lbs) evenly distributed over crossbars.**

On Road Cargo Allowance	Off Road Cargo Allowance	Roof Allowance	Rack Weight
95kg / 209lb	63kg / 138lbs	100kg / 220lbs	5kg / 11lb

**Advisory:**

It is essential that all bolt connections be checked after 48hrs from when you first install your crossbars. Bolt connections should be checked again at regular intervals (probably once a week is enough, depending on road conditions, usage, loads and distances travelled). You should also check the crossbars each time they are refitted. Make sure to fasten your load securely (see page 2 for advisory diagrams). Please ensure that all loads are evenly distributed and that the centre of gravity is kept as low as possible.

**Caution:**

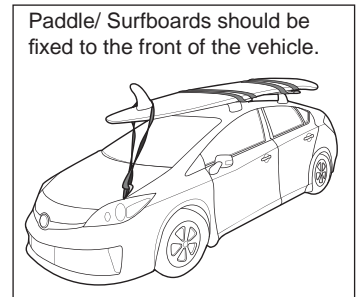
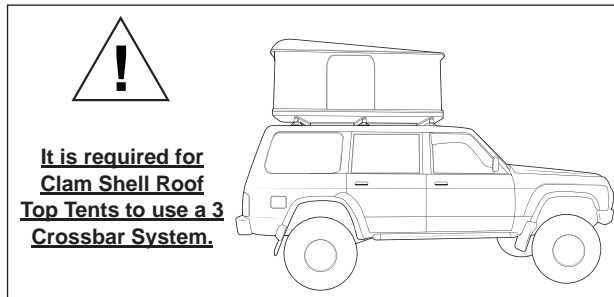
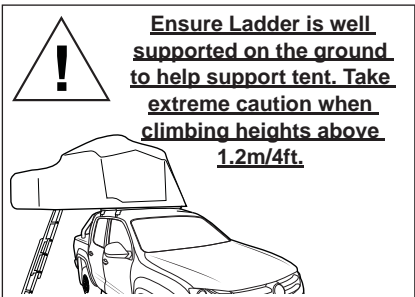
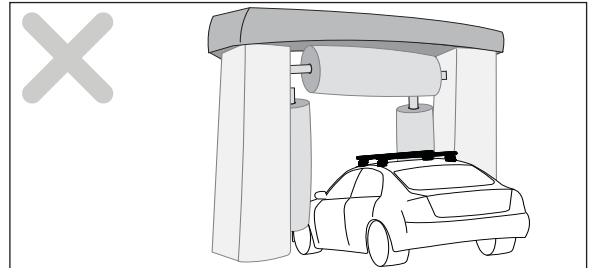
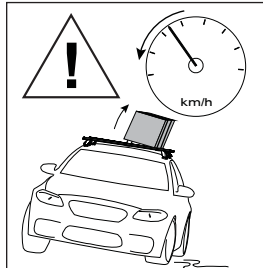
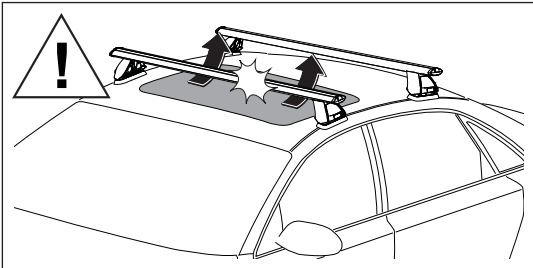
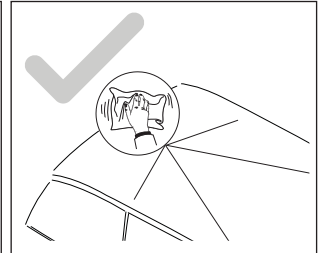
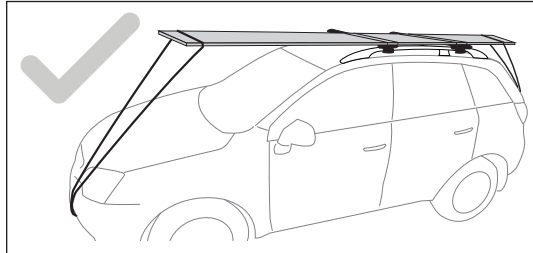
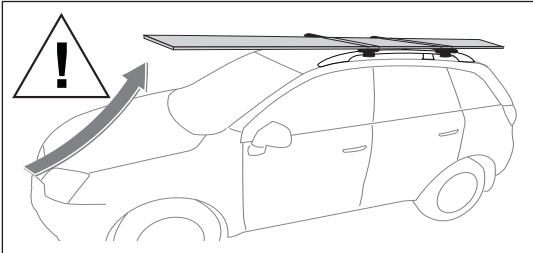
- The handling characteristics of the vehicle changes when you transport a load on the roof. For safety reasons we recommend you exercise extreme care when transporting wind-resistant loads. Special consideration must be taken into account when cornering and braking. **Please remove crossbars when putting vehicle through an automatic car wash.**
- In heavy winds and high vehicle speeds, increased wind noise may be experienced within the cabin. Roof racks are designed to be quickly and easily removed should the noise level become annoying.
- When fitting to vehicle with moonroof, the roof bars have approximately 10mm clearance. After loading up your roof bars always check the moonroof has clearance during operation. If not, remove crossbars.

**Note for Dealers and Fitters:** It is your responsibility to ensure instructions are given to the end user or client. Rhino-Rack  
 3 Pike Street, Rydalmere, Document No: R1547 Fit Time: 25min  
 NSW 2116, Australia. Prepared By: Kayle Everett Issue No: 01  
 (Ph) (02) (02) 8846 1900 Authorised By: Chris Murty Issue Date: 20/09/2017  
 (Fax) (02) 9638 4822

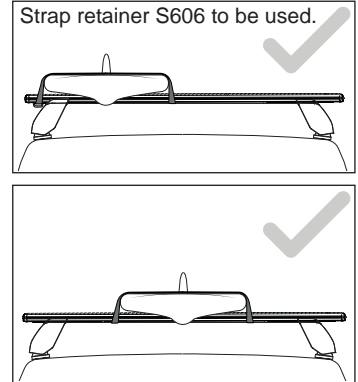
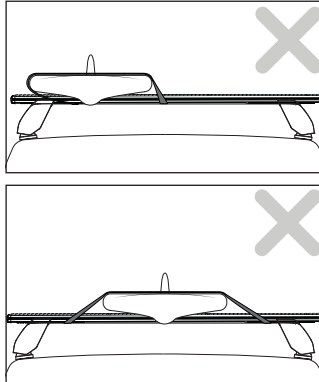
These instructions remain the property of Rhino-Rack Australia Pty. Ltd. and may not be used or changed for any other purpose than intended.



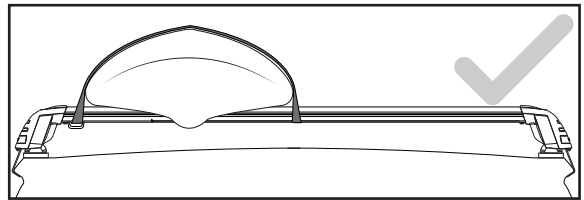
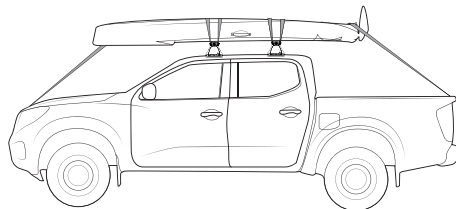
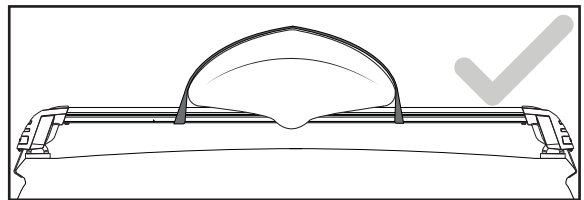
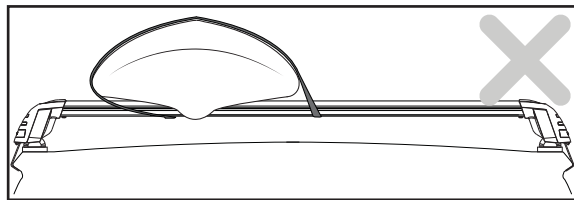
# RCP61-BK Landrover Discovery



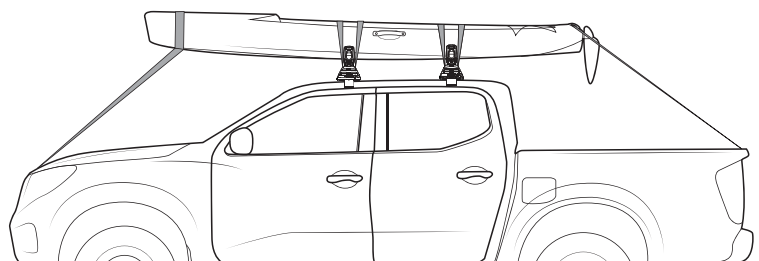
**WARNING! Important Load Carrying Instructions**  
 With utility vehicles, the cabin and the canopy move independently. Roof racks and vehicle can be damaged if the item transported is rigidly fixed at points on both the cabin and canopy. Instead, rigidly fix to either the cabin roof racks or the canopy roof racks.



Kayaks should use additional straps to secure the load at the front and rear of the vehicle where possible. Always use Kayak Carrier Cradles when transporting Kayaks on the roof.



**Optimal Setup:**  
 The Kayak should be housed in Cradles and held in place with tension straps. The front and rear of the Kayak should be fixed to the front and rear of the vehicle. A Nose Tie Down (RBAS1) should be used to secure the front of the Kayak.





# RCP61-BK Landrover Discovery

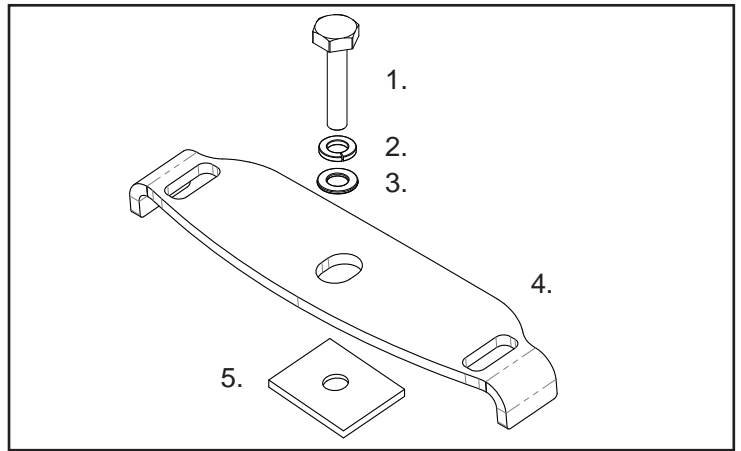
## Parts List

Item	Components	Qty	Part No.
1	M6 x 20mm hex setscrew	4	B082
2	M6 spring washer	4	W004
3	M6 x 16mm flat washer	4	W031
4	Landrover discovery bracket	4	CA1808
5	M6 30x25mm nut	4	N035A
6	Instructions	1	R1547

### Tools Required:

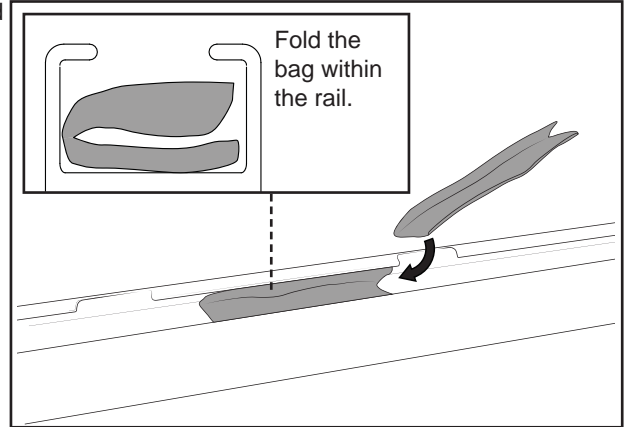
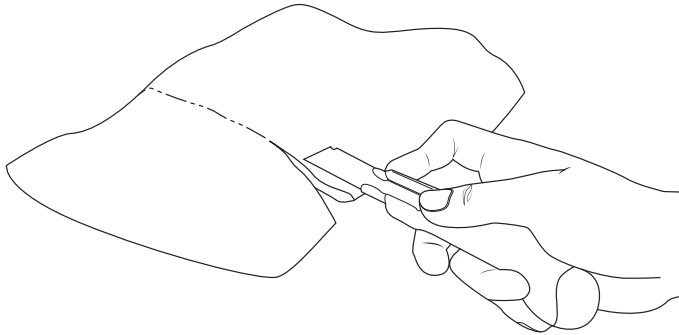
Knife or blade.

10mm socket wrench.

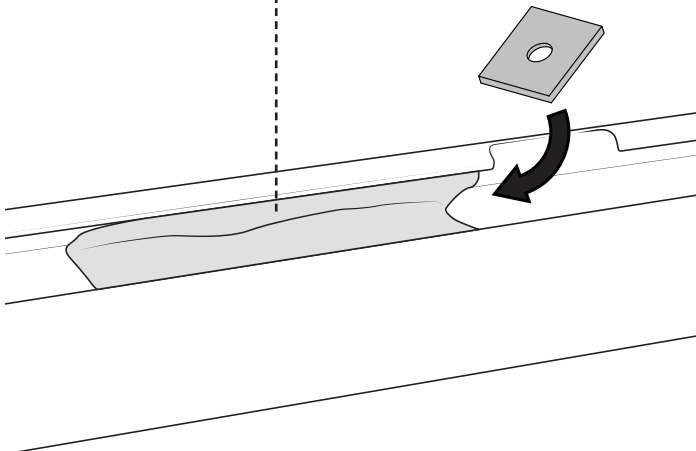
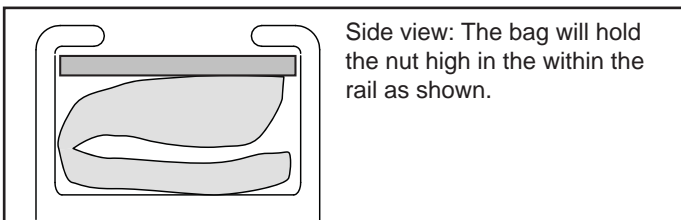


## Instructions

- 1** 1 - Cut a small section off of the plastic bag the hardware was stored in. 2 - Fold this piece of plastic bag and place within the factory rail.



- 2** Slide the Nut into place and sit it on top of the folded plastic. The plastic will hold the nut up and ensure an easy connection with the bolt when installing the crossbars.



- 3** Install the crossbars. Tighten with a 10mm socket wrench

