



RHINO-RACK

Hyundai iLoad Commercial Van - Fixed Mount (RLTFHIF/M,RLTFHIR)

Important: Please read these instructions carefully prior to installation.
Please refer to your fitting instruction to ensure that the roof racks are installed in the correct locations.
Check the contents of kit before commencing fitment and report any discrepancies.
Place these instructions in the vehicle's glove box after installation is complete.

Parts List

Maximum carrying capacity: Rated 100kg for 2 bar, 125kg for 3 bar for on-road conditions.

Item	Component Name	Qty 2 bar	Qty 3 bar	Part No.
1	Front Middle bracket	4	4	CA1115
2	Rear bracket RH	0	1	CA1113
3	Rear bracket LH	0	1	CA1114
4	Rubber buffer 1500mm (sold separately)	2	3	R001
5	Crossbar 1500mm (sold separately)	2	3	A022
6	Endcap(sold separately)	4	6	M002
7	M6 x 40 Security screw	8	12	B085
8	M6 spring washer	8	12	W004
9	M6 x12.5 Flat washer	16	24	W003
10	M10 channel Nut	4	6	N024
11	M10 shake proof washer	4	6	W021
12	M10x38x2.5 flat washer	4	6	W022
13	RLTF leg	4	6	M010
14	M10 x 25 bolt	4	2	B071
15	M6 twin stud plate	4	6	C098
16	Die cut gasket	4	6	C099
17	Double sided tape	4	6	C302
18	M6 Nyloc nut	8	12	N013
19	M6 cage nut	8	12	N017
20	5mm security allen key	1	1	Seckey-S
21	Leg Height spacer (sold separately)	0	1	LHSPAIR
22	Leg Height spacer 2 pair (sold sepearately)	0	1	LHS2PAIR
23	Fitting instructions	1	1	R171

Tools Required:

Marking pen.
Power or Cordless drill.
6.5mm drill bit
Vacuum cleaner.
Cold galvanizing solution & brush.
Hammer
Pin Punch Ø4-5 mm.
Silastic Sealer/Selleys Butyl Mastic.
5mm Security allen key, provided in kit.
5/8 or 16mm spanner.
Measuring tape.
Flat head screwdriver.
10mm socket and driver

Important Information

Maximum carrying capacity:

100kg for 2 bar, 125kg for 3 bar, including weight of the roof racks **5kg (11lbs)**. Load must be evenly distributed over the cross-bars. Load must be evenly distributed over the crossbars. **Use only non-stretch fastening ropes or straps.**

Recommendations:

All bolt connections must be checked after driving a short distance when you first install your roof racks. Bolt connections should be checked again at regular intervals (once a week is enough, depending on road conditions, usage, loads and distances travelled). You should also check the condition of your roof racks each time they are re-fitted. Always make sure to fasten your load securely. Please also ensure that all loads are evenly distributed and that the centre of gravity is kept as low as possible. Long loads (e.g. canoes and kayaks) must be secured front and rear with non-stretch fastening ropes or straps.

Roof racks must be removed when putting vehicle through an automatic car wash.

Caution: The handling characteristics of the vehicle changes when you transport a load on the roof. For safety reasons we recommend you exercise extreme care when transporting wind-resistant loads. Special consideration must be taken into account when cornering and braking.

Note for Dealers and Fitters:

It is your responsibility to ensure these fitting instructions are given to the end user or client. Place these instructions in the vehicle's glove box after installation is complete.

Rhino-Rack
3 Pike Street, Rydalmere,
NSW 2116, Australia.
(Ph) (02) 9638 4744
(Fax) (02) 9638 4822

Document No: R171
Prepared By: Anthony Rodier
Authorised By: Chris Murty

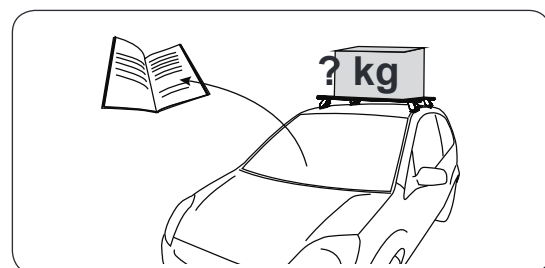
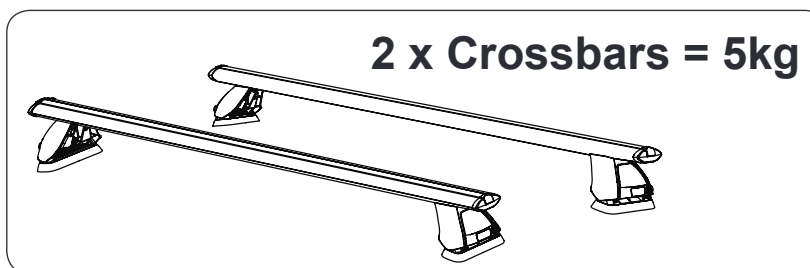
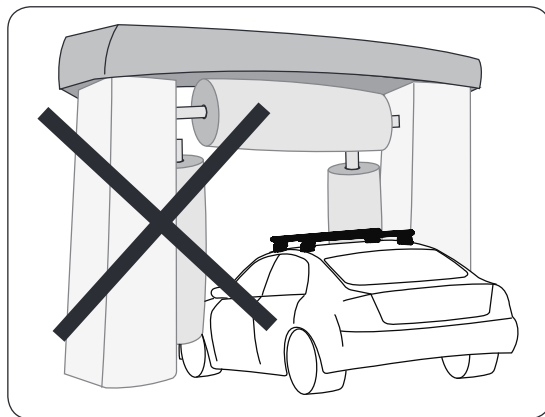
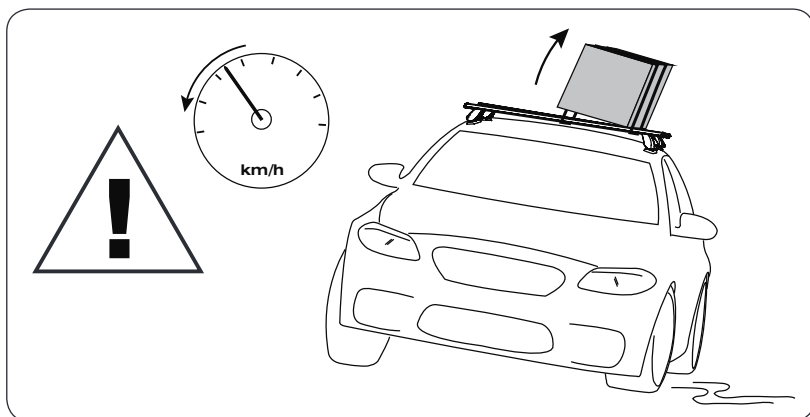
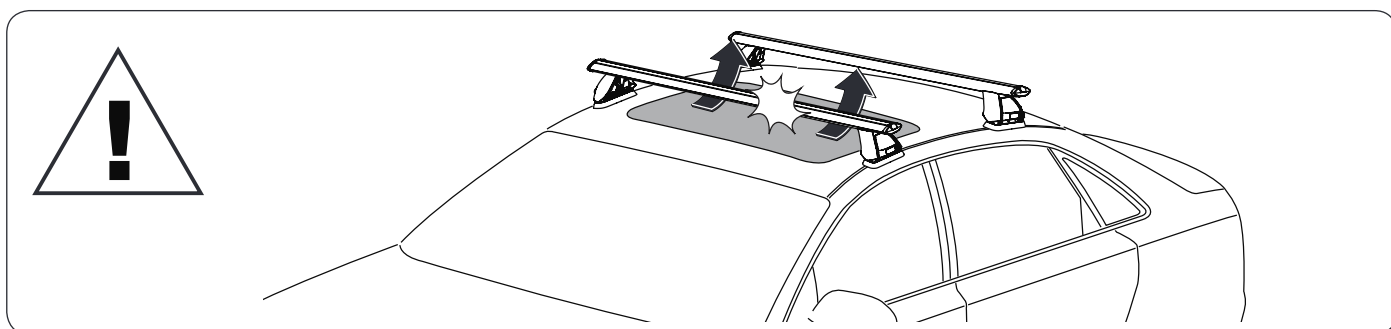
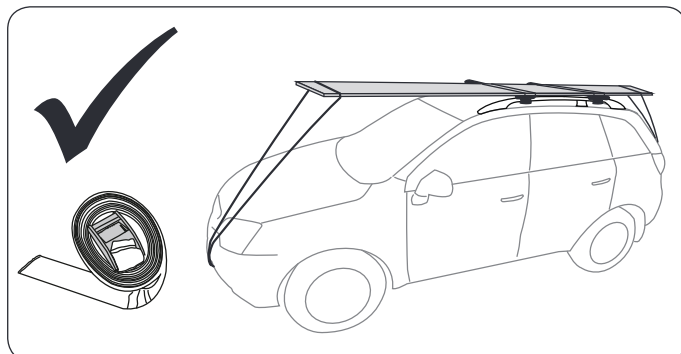
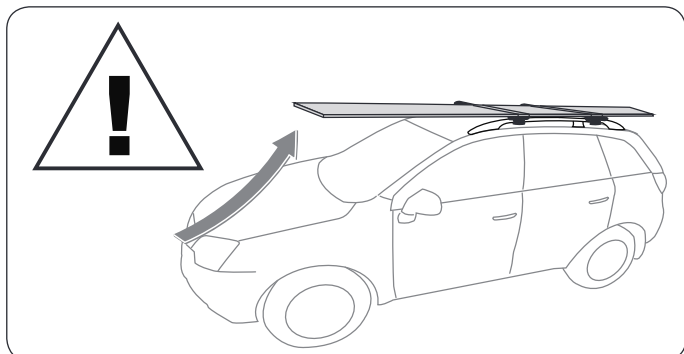
Issue No: 02
Date: 16/06/2012

These instructions remain the property of Rhino-Rack Australia Pty. Ltd. and may not be used or changed for any other purpose than intended.



RHINO-RACK

WARNING!



- Please refer to your vehicle manufacturers handbook for maximum roof load capacity.
- Any load transported on Roof Racks must be evenly distributed.
- Do not attempt to fit the roof racks to your vehicle unless you fully read and understand the fitting instructions provided.
- Please direct any questions to the dealer from where the roof racks were purchased.
- Check the contents of kit before commencing fitment and report any discrepancies.

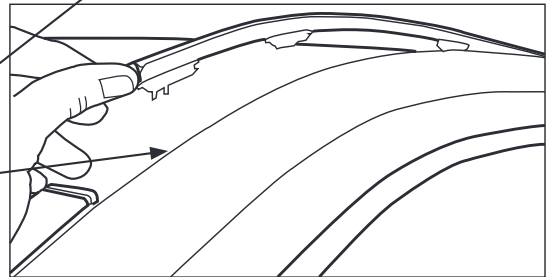
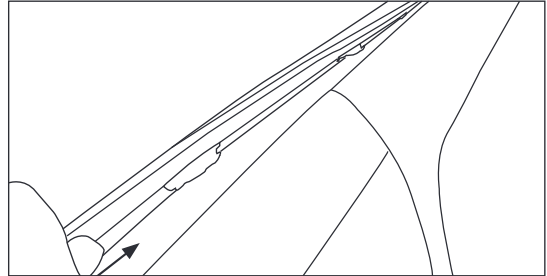
1 Completely remove roof channel trim.

Start by lifting the front edge of rubber trim. Carefully twist rubber trim in an outward direction to unhook the plastic clips. Retain the front three clips on each side to secure the cut trim back in place after installation of the track.



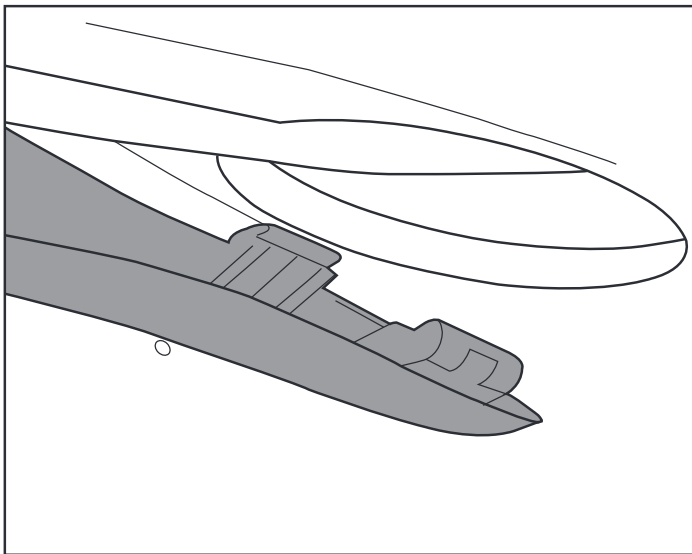
Lift front of the trim from outside edge of roof. Twist outwards to unhook as shown in the diagrams.

The roof channel must be totally clean of any dirt, so be sure to wash thoroughly and completely dry off before track installation.

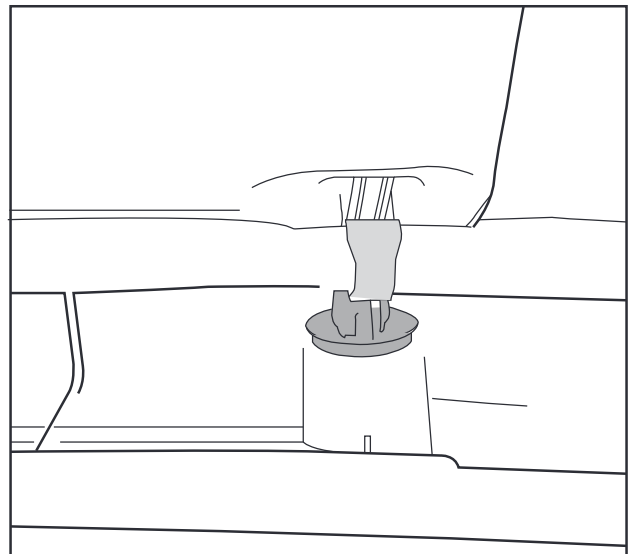


2 Remove internal plastic cover at rear.

Start by opening the rear tilting door. There are two black plastic covers on the rear inside roof which need to be removed. The parts will come off with gentle prying.



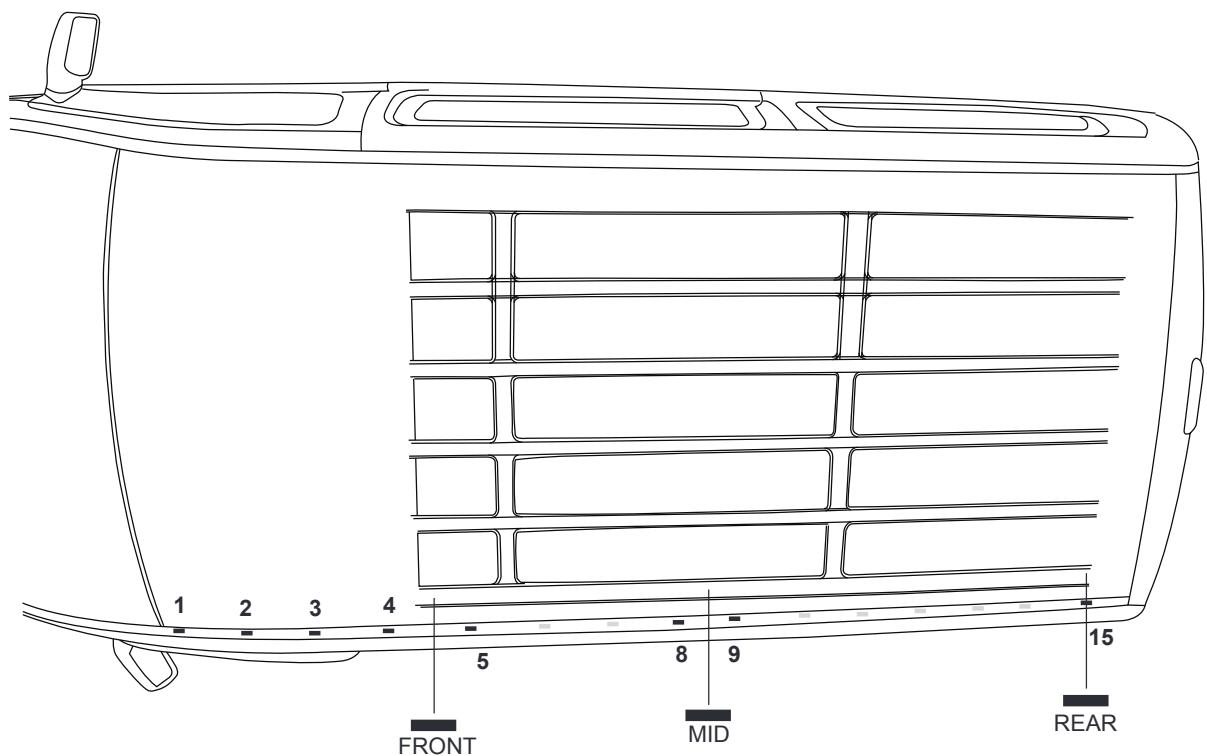
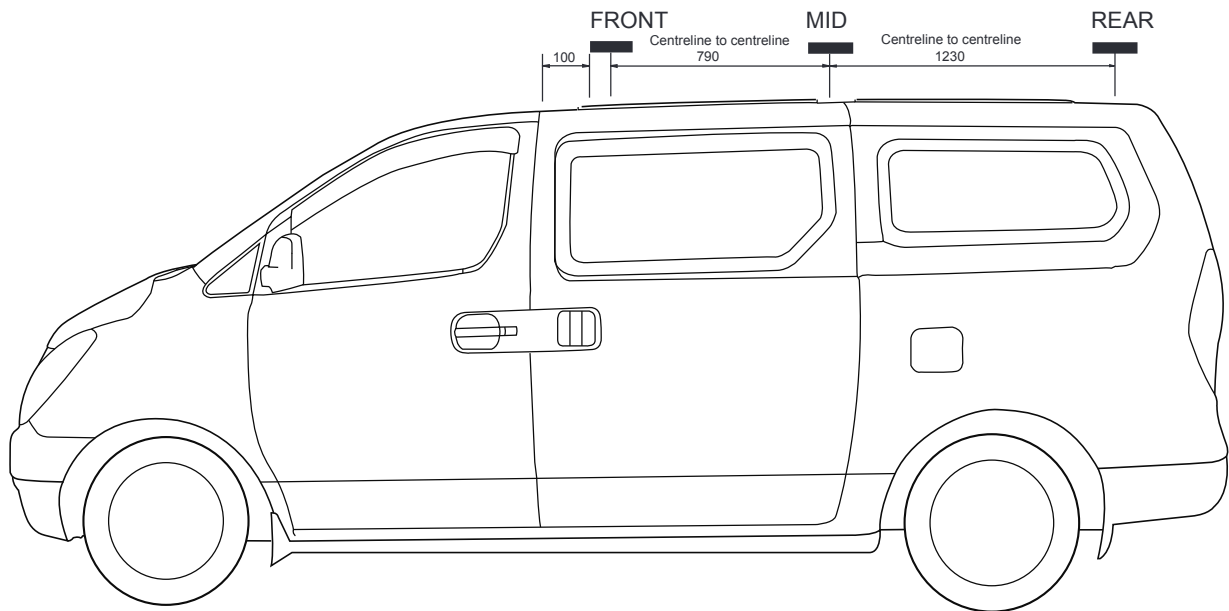
Target this area first. Spring clips disengage with gentle force



Electrical wires located with panel pin, remove this as well

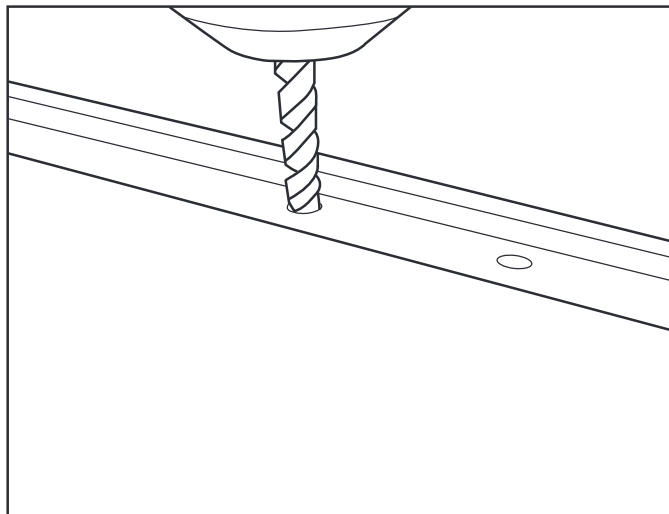
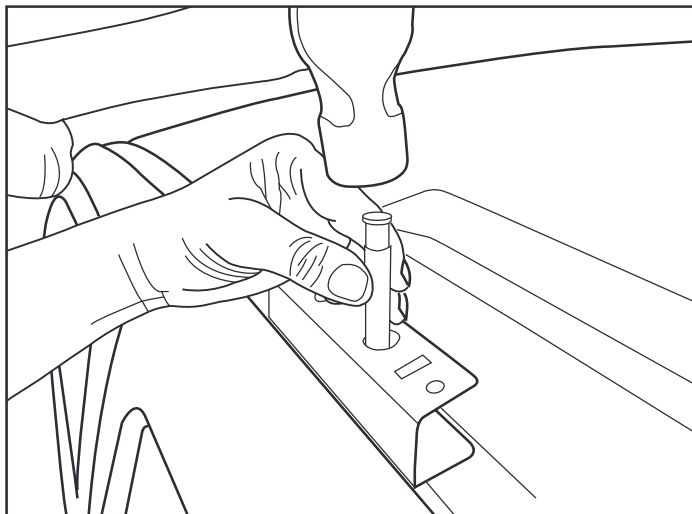
3 Measure and mark points in preparation for drilling.

Use the diagrams below to allow you to mark out the points for drilling.

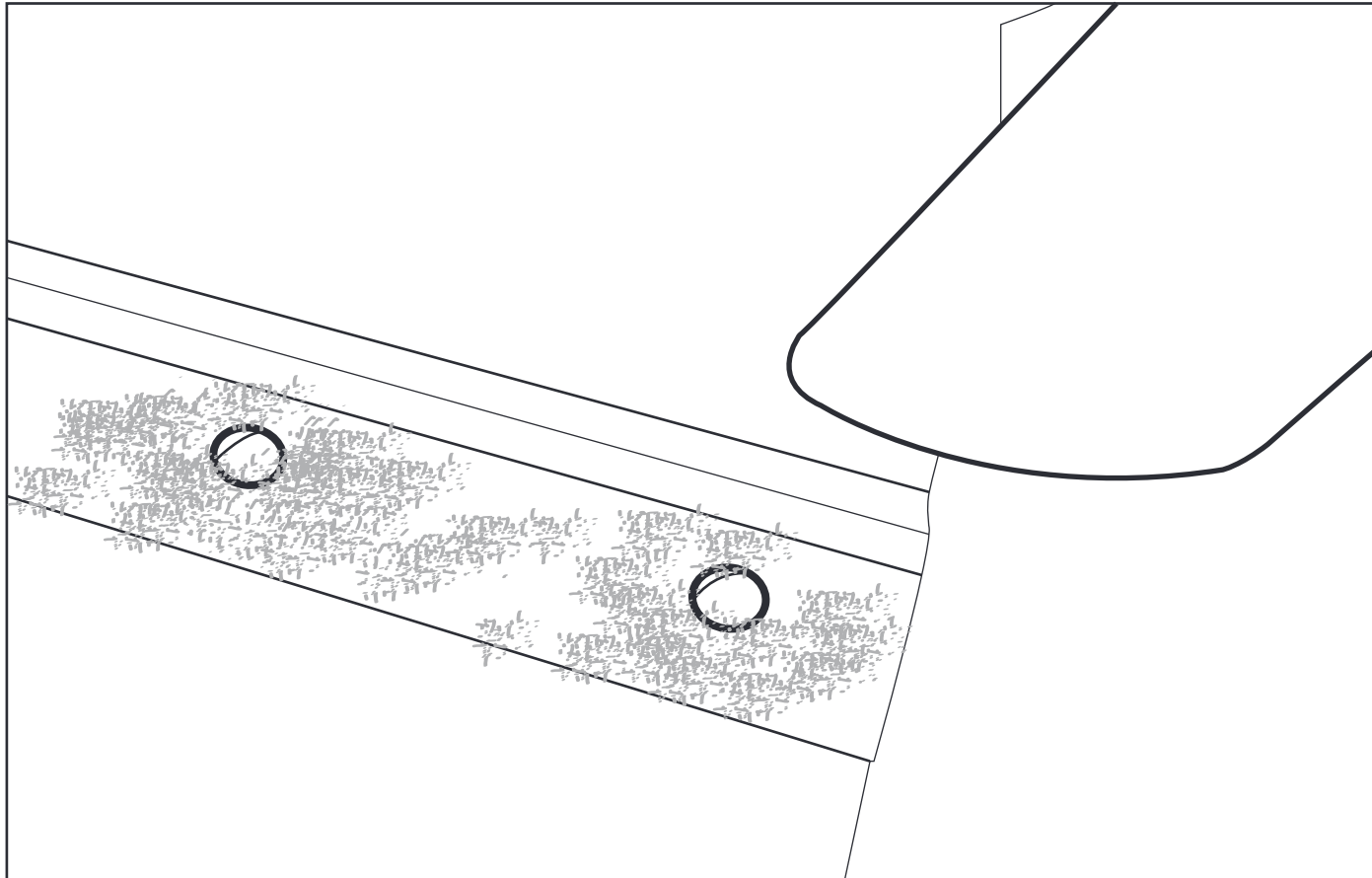


- * Front bracket is located centrally between 4th and 5th metal tongue clip.
- Mid bracket is located centrally between 8th and 9th.
- Rear is located over directly over the 15th.

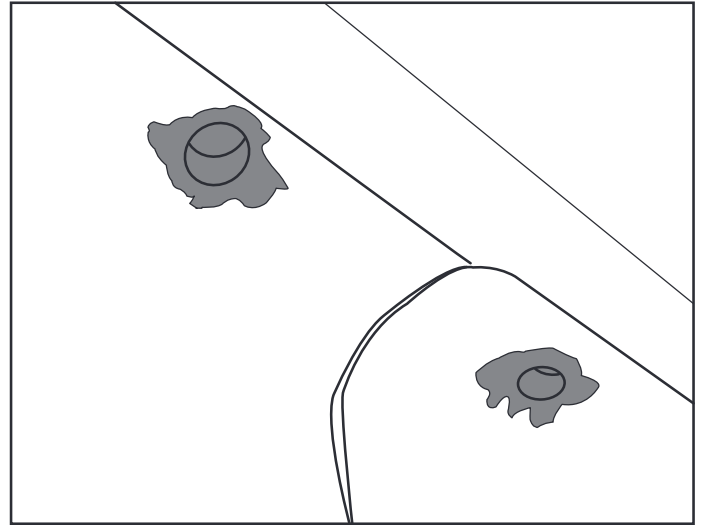
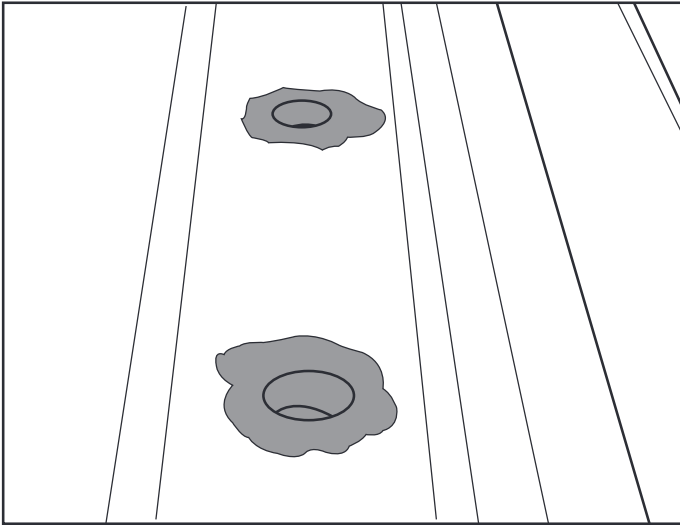
- 4** Centre punch hole locations and drill carefully and slowly using a 3mm pilot drill bit. Then open up to 6.5mm.



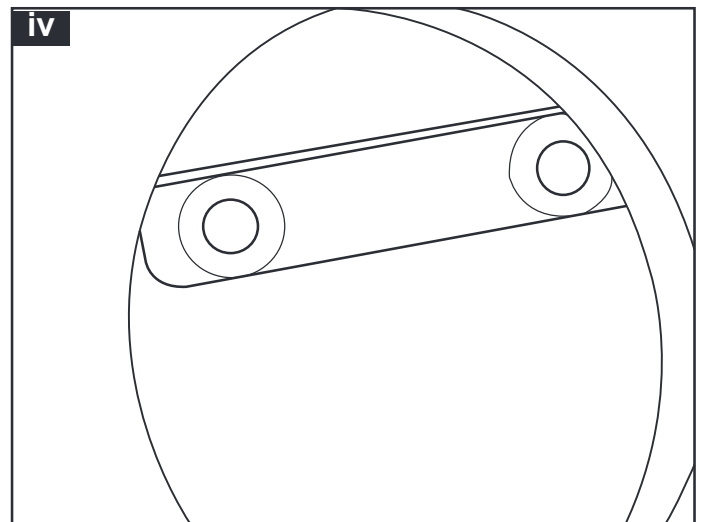
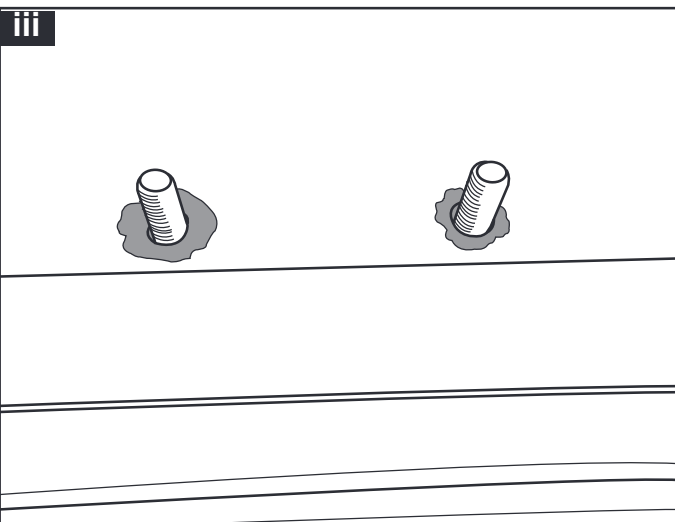
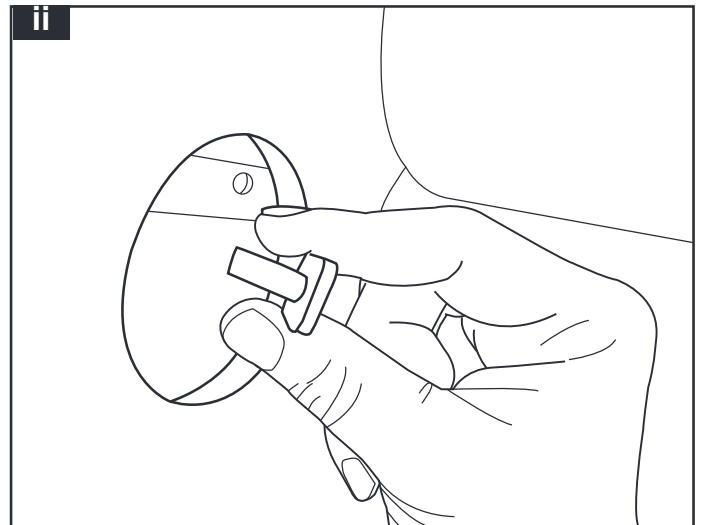
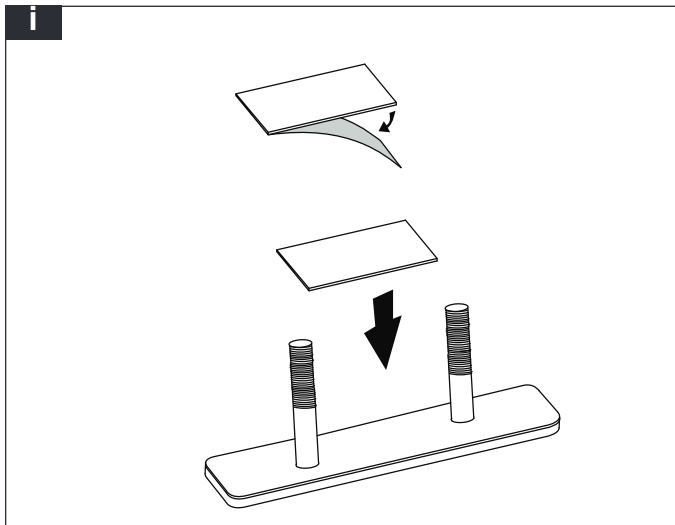
- 5** Use a vacuum cleaner to remove and swarf (metal filings) from the drilling process. This is an important step to ensure there is no chance of rust forming. Vacuum top and bottom of the holes, check fit of the twin bolt bracket.



- 6** Apply cold galvanising treatment to the drilled holes (interior and exterior surfaces, inside and outside) to seal the bare metal. Follow instructions on the container to achieve best results before proceeding to next steps.

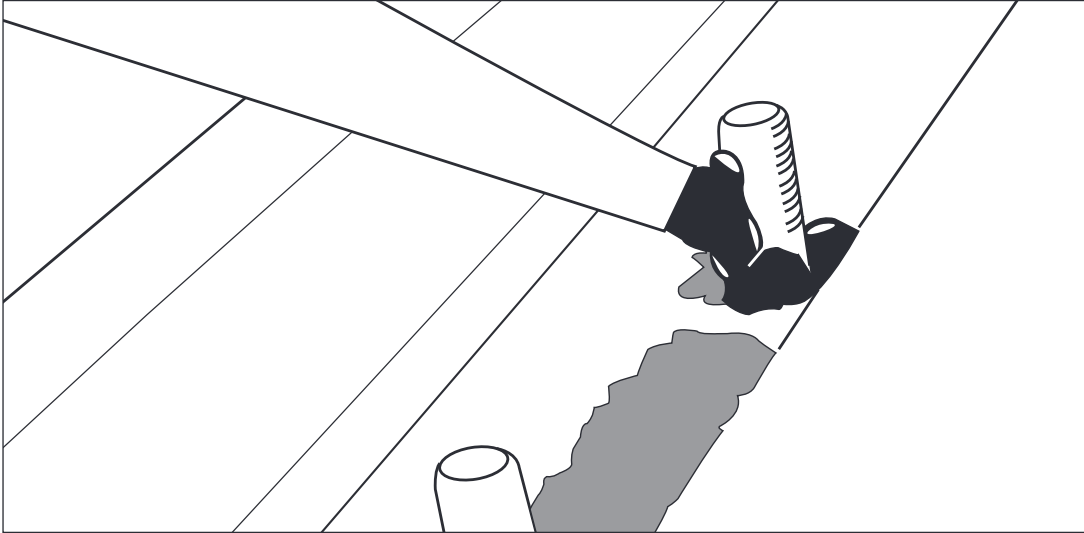


- 7** Prepare the bolt brackets by applying the 3M double sided tape (C302). Remove the backing paper from foam cushion tape. Insert from inside the vehicle, apply some force and hold for 30 seconds to ensure a good adhesion to the surface.

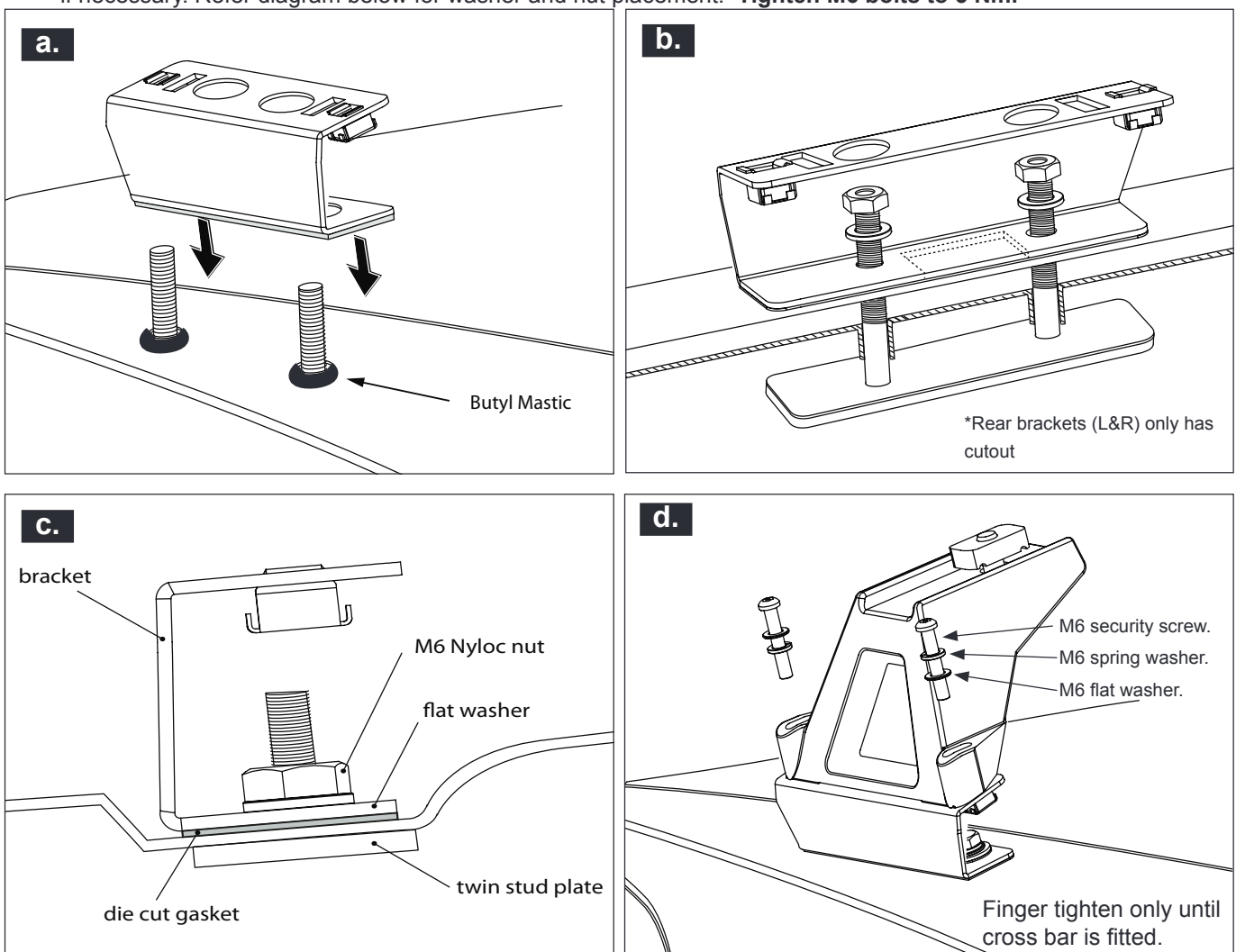


Rear brackets are inserted through an access hold as per picture below. Insert from inside the vehicle, apply some force and hold for 30 seconds to ensure a good adhesion to the surface.

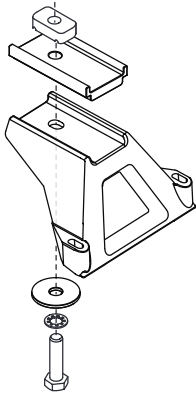
- 8** Apply Selleys Butyl Mastic or equivalent silastic sealer to the drilled holes to create a waterproof seal. Follow instructions on the container.



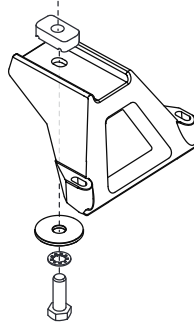
- 9** Select correct bracket for the mounting location. Front/middle common bracket. Rear LH and RH have cut-outs. The rear brackets align perfectly with the end of the vehicle. Apply die cut gasket & trim off any excess if necessary. Refer diagram below for washer and nut placement. **Tighten M6 bolts to 5 Nm.**



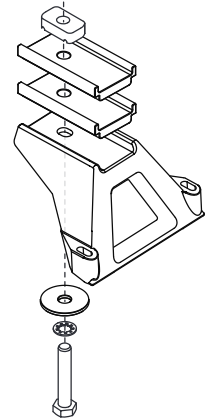
- 10** If completing a 3 bar setup on your vehicle, leg height spacers are required as below. Front crossbar uses one leg height spacer. Middle crossbar no spacer. Rear crossbar, two spacers. Leg height spacers are sold separately.



Front crossbar,
M10 x 35mm bolt.



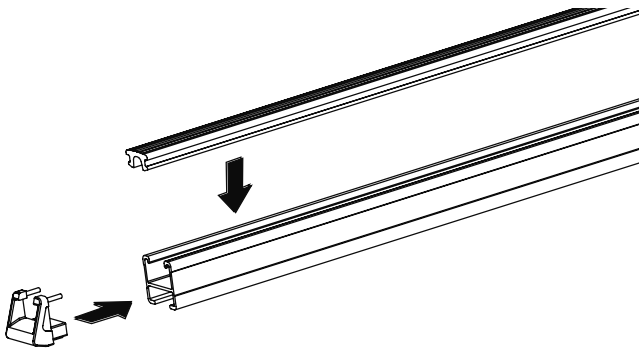
Middle crossbar,
M10 x 25mm bolt.



Rear crossbar,
M10 x 45mm bolt.

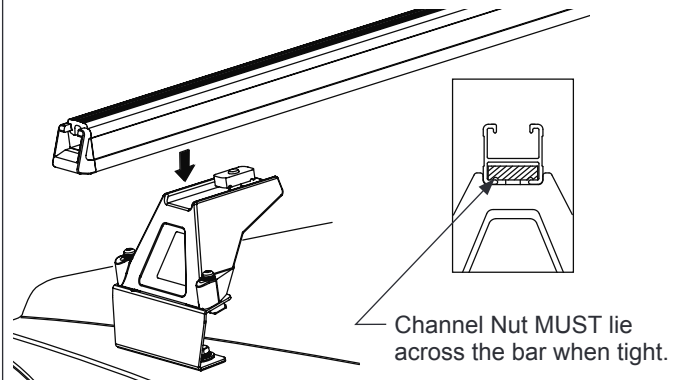
11 End Caps & Buffer Strip:

Insert rubber buffer strip into top of the cross bar. Fit end caps into the cross bar. A rubber mallet maybe required to knock in the end caps.



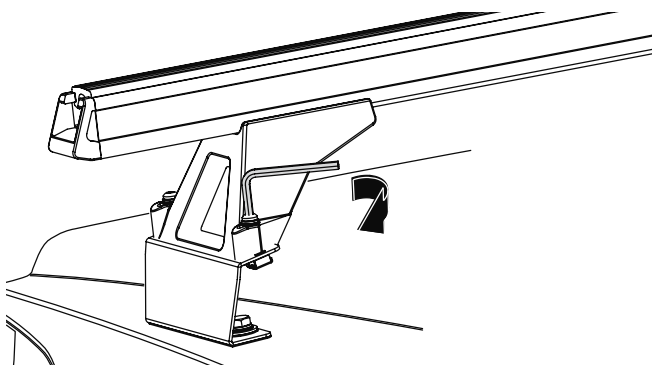
12 Attach Cross Bar:

Place cross bar onto support legs. Push the M10 bolt up and turn so the channel nut is fully located across the bar. **Leave M10 bolts loose at this stage.**



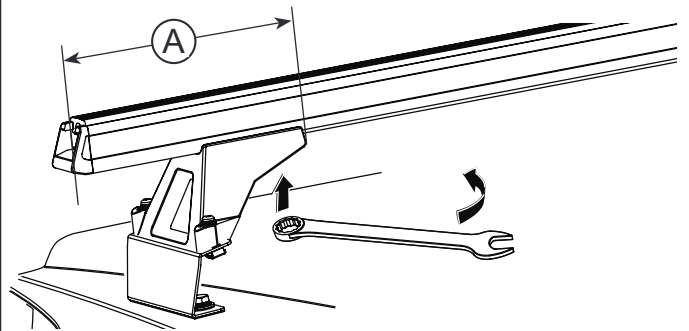
13 M6 Security screws:

Tighten M6 Security screws to 3-4Nm. **DO NOT OVER TIGHTEN.**



14 Cross Bar overhang:

Ensure the cross bar overhang (A) is equal on both sides, re-adjust if required. Tighten M10 bolts to 16-18 Nm. **DO NOT OVER TIGHTEN.**



15 Cut roof channel trim and re-fit trim.

The best tool for this job is a hacksaw or grinder.

The illustration below should be double checked against the vehicle you are fitting prior to cutting.

Dimensions below in millimetres.

