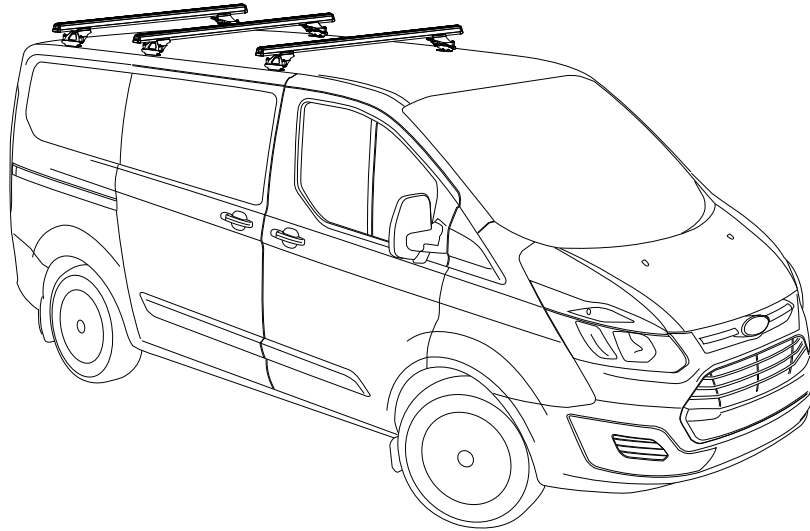




# RHINO-RACK

## RLTPFTC - FORD TRANSIT CUSTOM

**Important:** Please read through these instructions prior to installation.  
Please refer to your fitting instruction to ensure that the roof racks are installed in the correct locations.  
Check the contents of kit before commencing fitment and report any discrepancies.  
Place these instructions in the vehicle's glove box after installation is complete.



**Care Instruction:** Wash vehicle roof prior to installing your Rhino-Rack crossbar system.

### Important Information

**Maximum carrying capacity: 130kg/285lbs for three crossbars. 100kg/220lbs for two crossbars.**

**Recommendations:**

It is essential that all bolt connections be checked after driving a short distance when you first install your crossbars. Bolt connections should be checked and lubricated at regular intervals (probably once a week is enough, depending on road conditions, usage, loads and distances travelled). You should also check the crossbars each time they are re-fitted.

Make sure to fasten your load securely. Please ensure that all loads are evenly distributed and that the centre of gravity is kept as low as possible.

**Use only non-stretch fastening ropes or straps.**

**Sensitivity to crosswinds, behaviour in curves and braking.**

The handling characteristics of the vehicle, changes when you transport a load on the roof. For safety reasons, we recommend you exercise extreme care when transporting wind-resisting loads; special consideration must be taken into account when braking.

**Please remove crossbars when putting vehicle through an automatic car wash.**

**Load Ratings:**

Maximum permissible load is 130kg/285lbs for three crossbars (include the weight of the crossbars, 7.5kg/16lbs three crossbars, 5kg/11lbs two crossbars). When crossbars are to be used in off-road conditions, please build a safety factor of 1.5 into this load limit. Although the crossbars are tested and approved to AS1235-2000, Australian road conditions can be much more rigorous. However, increasing the number of crossbars does not increase the vehicles maximum permissible roof loading.

**Note for Dealers and Fitters:**

It is your responsibility to ensure instructions are given to the end user or client.

Rhino-Rack Australia Pty. Ltd.  
3 Pike Street, Rydalmere,  
NSW 2116, Australia.  
(Ph) (02) 8846 1900  
www.rhinorack.com.au

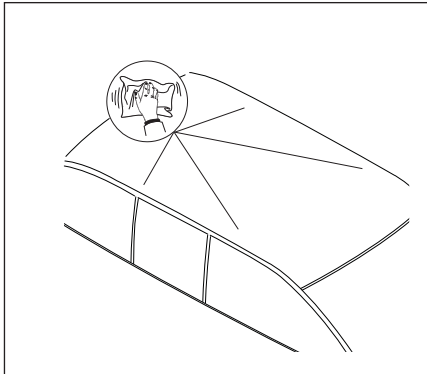
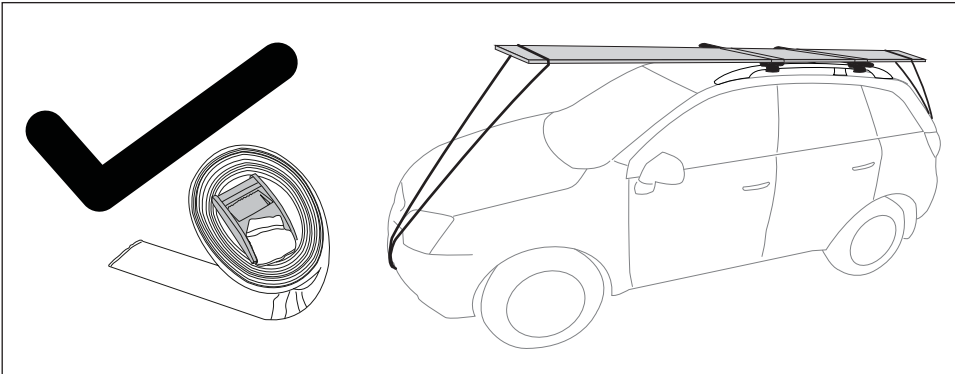
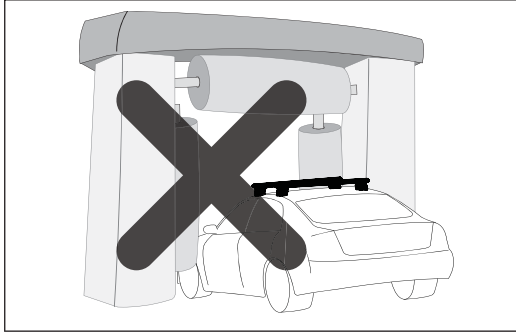
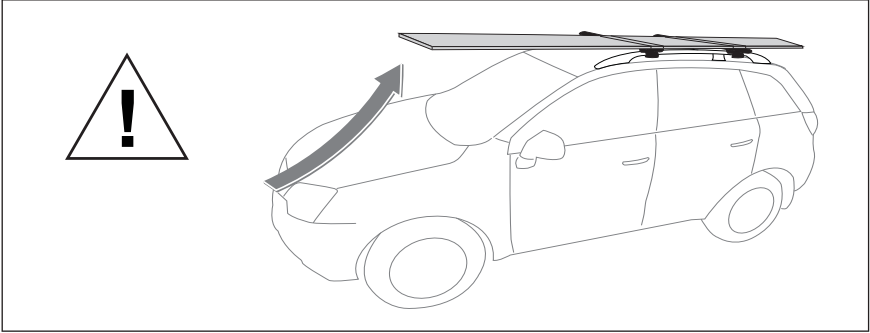
Document No: R332  
Prepared By: Craig Jones  
Authorised By: Chris Murty

Issue No: 04  
Issue Date: 04/01/2017

These instructions remain the property of Rhino-Rack Australia Pty. Ltd. and may not be used or changed for any other purpose than intended.

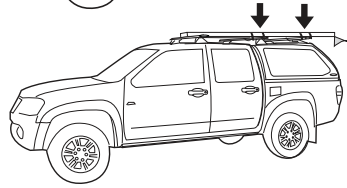
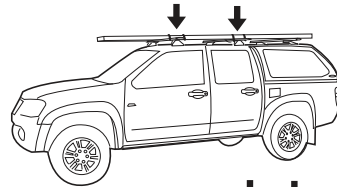
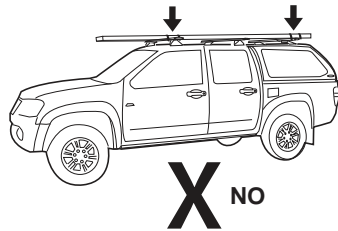


# RLTPFTC



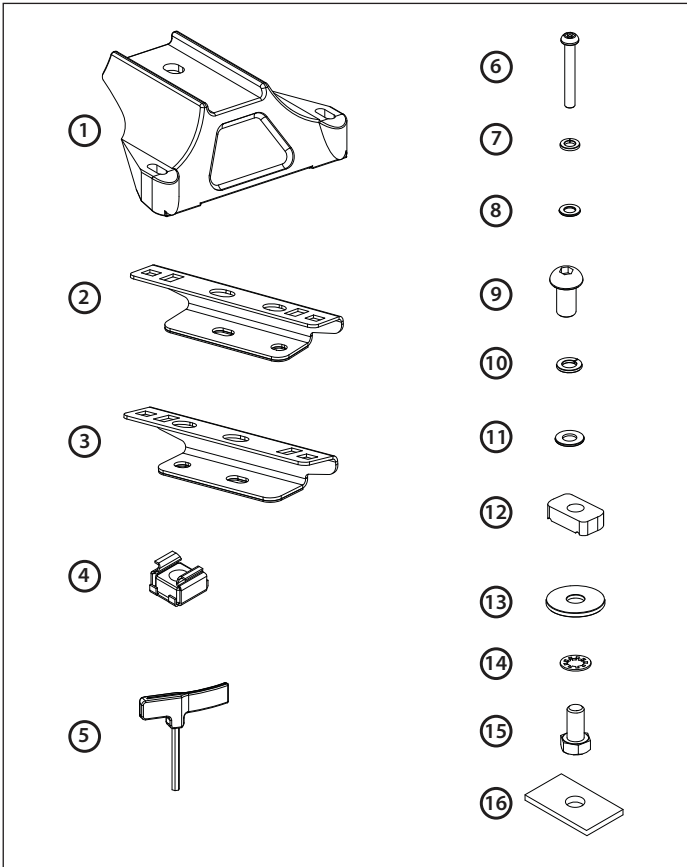
### WARNING! Important Load Carrying Instructions

With utility vehicles, the cabin and the canopy move independently. Roof racks and vehicle can be damaged if the item transported is rigidly fixed at points on both the cabin and canopy. Instead, rigidly fix to either the cabin roof racks or the canopy roof racks.



### PARTS LIST

Item	Component Name	Qty	Part No.
1	Support Leg, 50mm	2	M057
2	Leg Bracket	1	CA1216
3	Leg Bracket	1	CA1215
4	M6 Cage nut <i>(pre-installed in Items 2&amp;3)</i>	4	N017
5	Security Torque Key	1	TORKEY-S
6	M6 x 35mm Security Screw	4	B092
7	M6 Spring Washer	4	W004
8	M6 Flat Washer	4	W003
9	M8 x 16mm Button Head Screw	4	B072
10	M8 Spring Washer	4	W019
11	M8 Flat Washer	4	W020
12	M10 Channel Nut	2	N024
13	M10 Flat Washer	2	W022
14	M10 Shakeproof Washer	2	W021
15	M10 x 20mm Hex Screw	2	B003
16	Butyl Patch	4	CA1260
17	Fitting Instruction	1	R332





# RLTPFTC

### Tools Required:

5mm Security Allen key, included in kit.  
 16mm spanner.  
 Flat head screwdriver.  
 Tape Measure.

T40 Torx key.  
 Torque wrench.  
 Rubber Mallet.

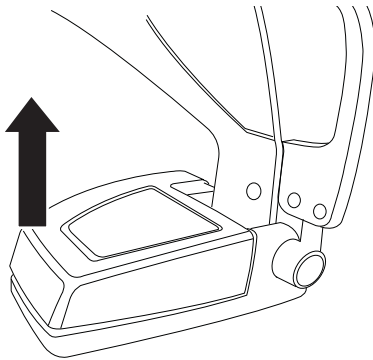
### Crossbars sold separately.

Component Name	Part No.	
1500mm HD Bar Silver	RB1500S	
1500mm HD Bar Black	RB1500B	
1500mm Vortex Bar Silver	VA150S	
1500mm Vortex Bar Black	VA150B	

## Fitting Instruction

Factory installed crossbars will need to be removed prior to fitting your Rhino-Rack system

1

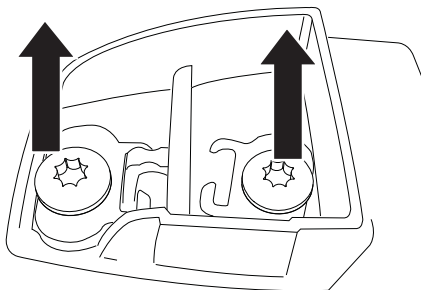


We recommend to have the factory crossbars in their upright position prior to removal.

Locate the plastic covers of the factory installed crossbars. Carefully lever and unclip the cover using a flat head screwdriver.

**NOTE:** Only remove crossbars for the positions you intend to use. If you're installing Two Rhino crossbars the remaining Factory bar can be left in place.

2



A T40 Torx key is required to remove the screws.

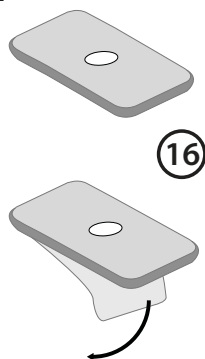
Remove the two Torx drive screws in each foot of the factory crossbars. Carefully lift each crossbar off the vehicle.

3

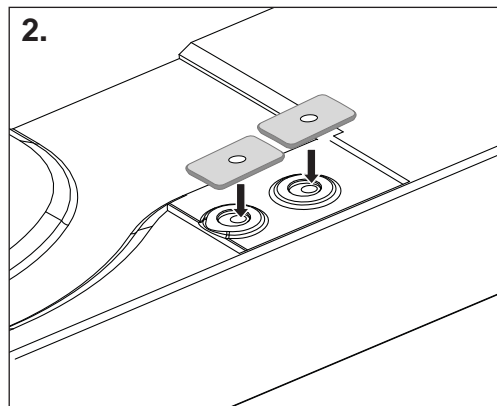
With the selected Factory racks removed place a Butyl Patch over each exposed M8 mounting point.

1. Remove backing tape from each Butyl Patch.
  2. Place Patches concentric over all exposed holes.
  3. Remove paper backing from top of patches.
- Proceed to Step 4. to fit the brackets.

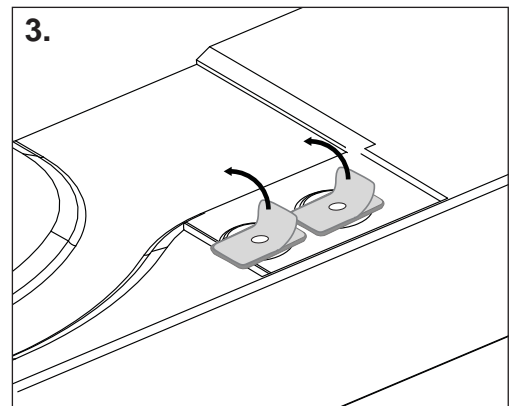
1.



2.



3.

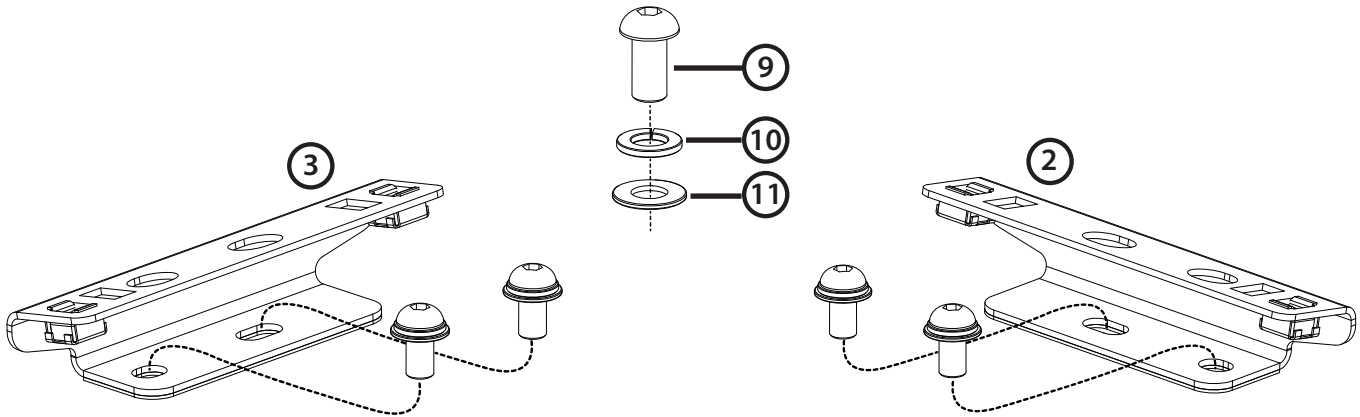




## RLTPFTC

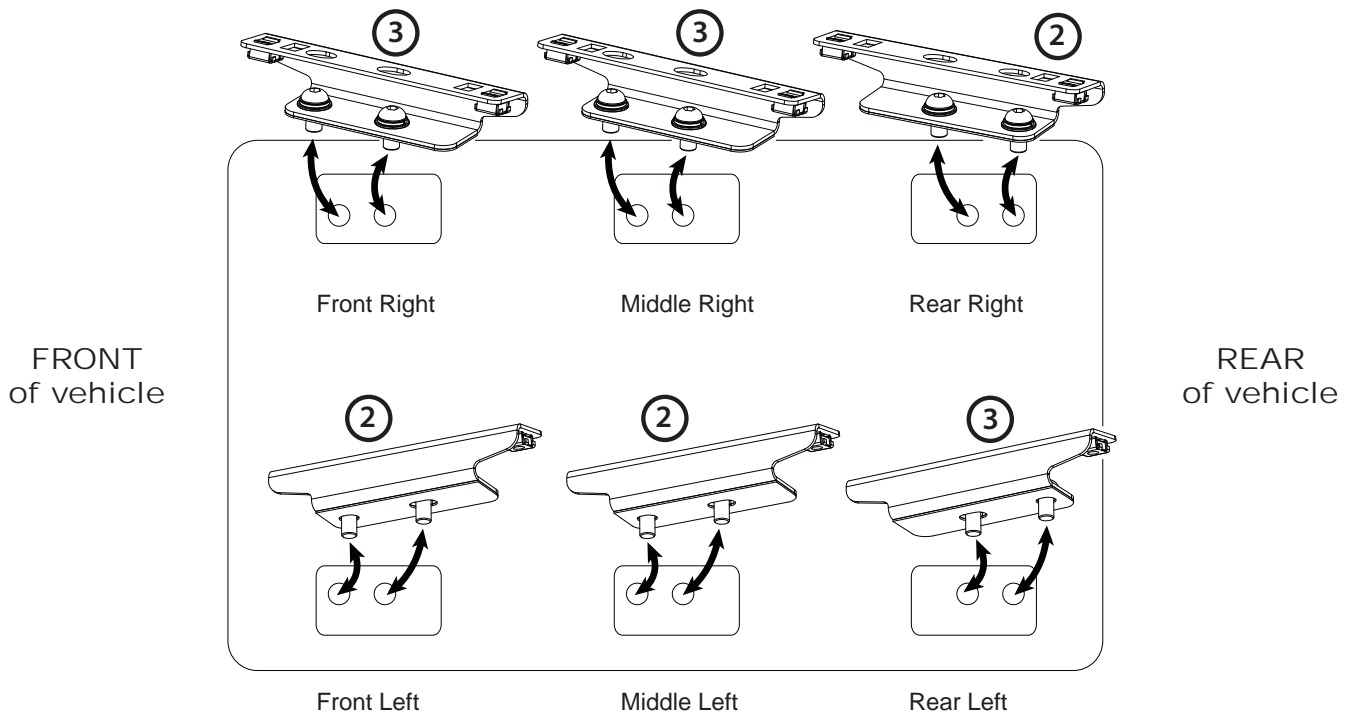
4

Prepare each bracket and hardware for installation as shown below. Assemble the M8 button head screws with an M8 spring washer and M8 flat washer. Place an M8 screw assembly through the holes of each bracket. Step 4 shows the correct location of each bracket assembly on the vehicle.



5

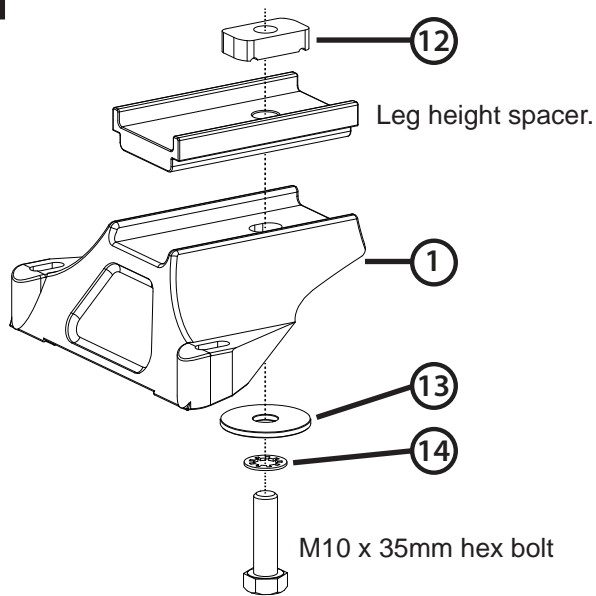
Fasten each bracket assembly in the locations shown using the Security Torque Allen key supplied. 8-9 Nm/6-7lb/ft





# RLTPFTC

6



**When using 3 Crossbars, leg height spacers are required for the Front & Rear crossbar to get all three level.**

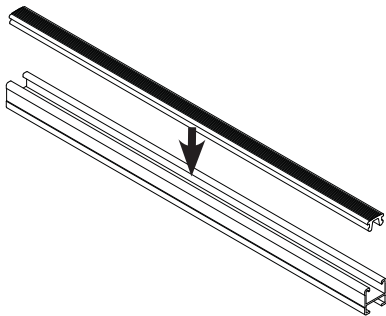
Part No. LHSPAIR (sold separately).  
2 x LHSPAIR are required.

Front uses one leg height spacer per leg.  
Rear uses one leg height spacer per leg.

Remove existing M10 x 20mm hex bolt and replace with M10 x 35mm supplied in LHSPAIR.

\* When using less than three crossbars it is not a requirement to fit leg height spacers.

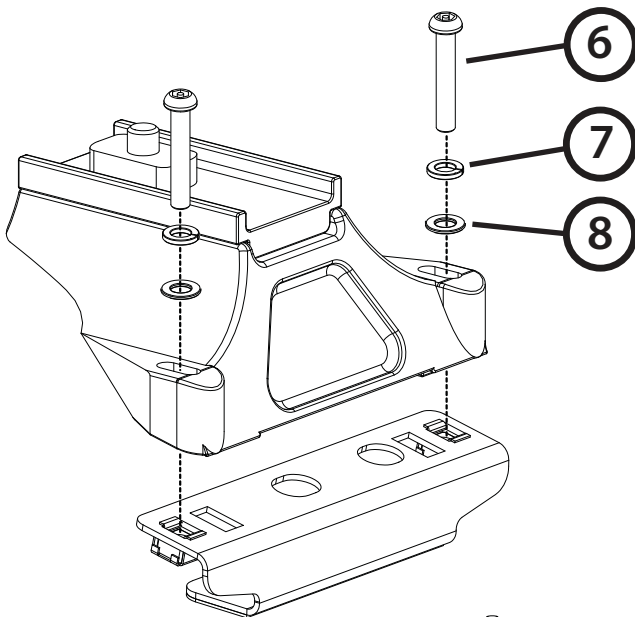
7



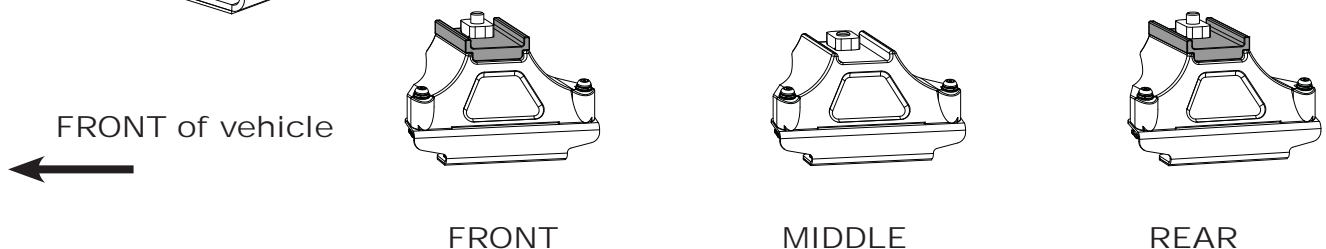
Insert a rubber buffer strip into the top of each crossbar.

Crossbars sold separately.

8



Fit legs to the top of each bracket. Loosely fasten the M6 x 35mm security screws and washers to hold the leg in place. Final tightening will occur after the crossbars are in position.

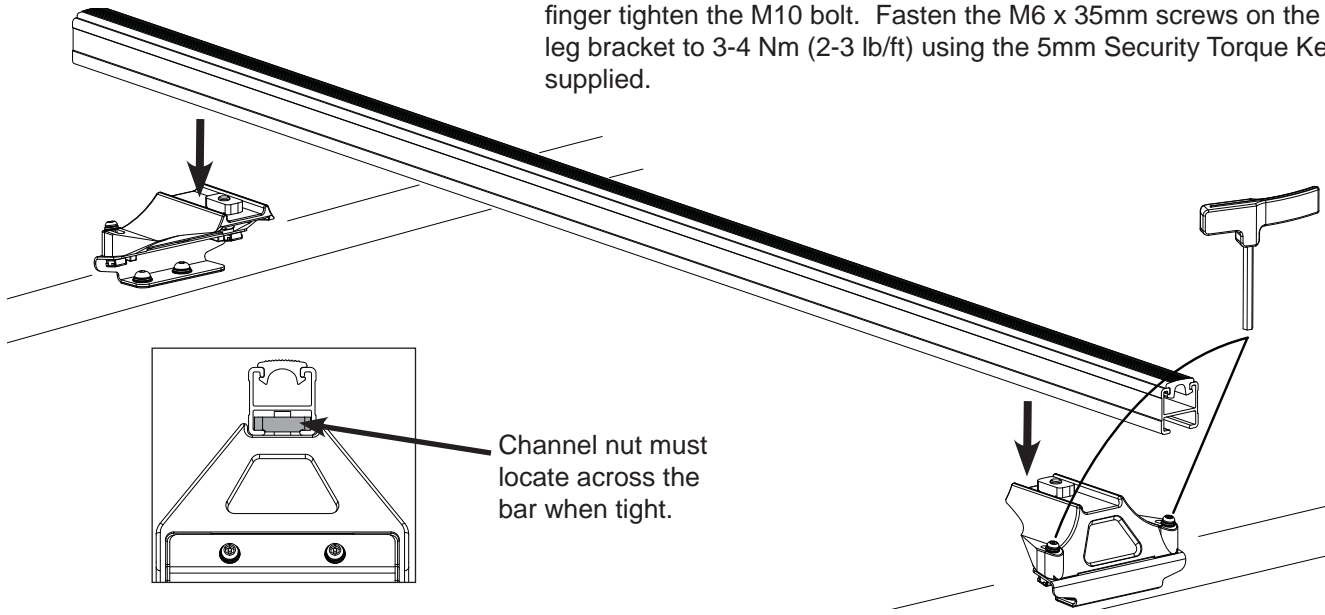




## RLTPFTC

9

Place crossbars (Heavy Duty shown) onto the Legs. Make sure the channel nut is perpendicular to the crossbar when tightening. Lightly finger tighten the M10 bolt. Fasten the M6 x 35mm screws on the leg bracket to 3-4 Nm (2-3 lb/ft) using the 5mm Security Torque Key supplied.

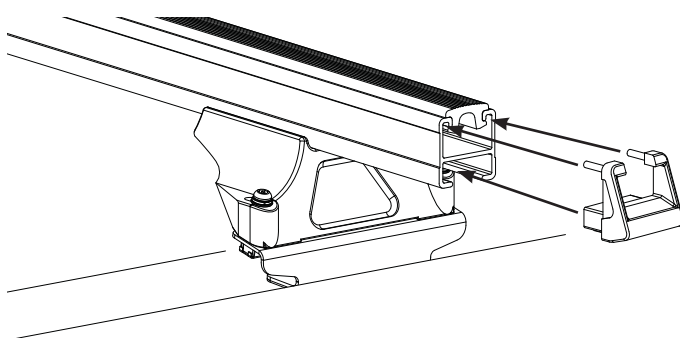


10

Adjust the crossbars to have equal overhang. If using Heavy Duty bars fasten the M10 bolts 12-13 Nm (8-10 lb/ft). If using Aero bars refer to the fitting instruction supplied therein.



11



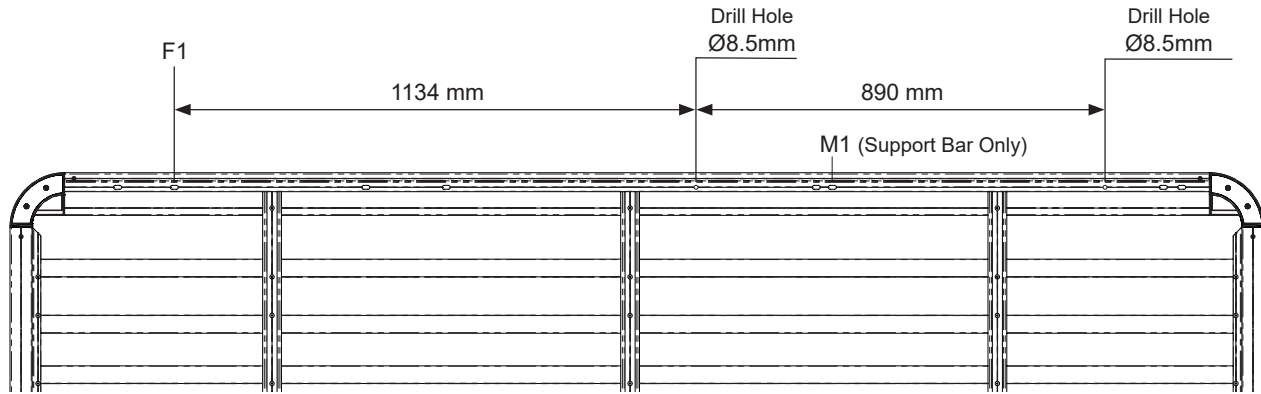
Fit end caps to all crossbars. A rubber mallet may be used to gently knock them in.



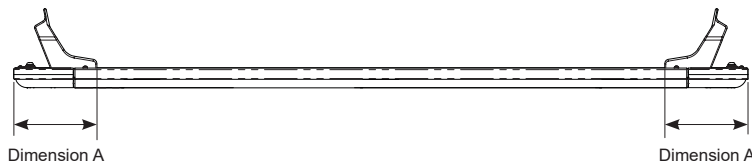
# RLTPFTC

## Fitting Chart - FORD Transit Custom 2dr Van SWB

**PIONEER 42105B** (2728 x 1465mm)



Front of Tray



Front Crossbar			Middle-Front Crossbar			Middle Crossbar			Rear Crossbar		
Front Slot	Dim. A	Leg Height Spacer	MF Slot	Dim. A	Leg Height Spacer	Middle Slot	Dim. A	Leg Height Spacer	Rear Slot	Dim. A	Leg Height Spacer
F1	160mm	LHSPAIR	Drill Hole Ø8.5mm	163mm	-	M1	-	-	Drill Hole Ø8.5mm	180mm	LHSPAIR

Country	Vehicle	Running Date	Vehicle Load Rating (kg)	Fit Kit	Note
Australia & NZ	FORD Transit Custom 2dr Van SWB	02/14 - on	130 / 286	3 x RLTPFTC 2 x LHSPAIR	4th crossbar fitted at M1 is a support crossbar only. No legs are to be fitted to this crossbar.
UK & Europe	FORD Transit Custom 2dr Van SWB	09/12 - on			

### WARRANTY INFORMATION

Rhino-Rack warrants your new product against any manufacturing faults for the period specified on our website, provided the terms and conditions of the warranty are met. Some exclusions apply. To qualify for warranty cover, you must fill out the online warranty registration form. You should ensure that you retain your original proof of purchase, which will be required for any warranty claim.

For all warranty terms and conditions, please visit the Rhino-Rack website for details.

[www.rhinorack.com/warranty](http://www.rhinorack.com/warranty)