

RHINO-RACK®

MERCEDES-BENZ Sprinter Overland Kit

ROLM1-BK

Important:

1. Check the Rhino-Rack website to ensure you have the latest issue of these instructions.
2. Please refer to your fitting instruction to ensure that the product is installed correctly.
3. Check the contents of kit before commencing fitment and report any discrepancies.
4. Place these instructions in the vehicle's glove box after installation is complete.
5. These instructions must be followed for warranty to be upheld.

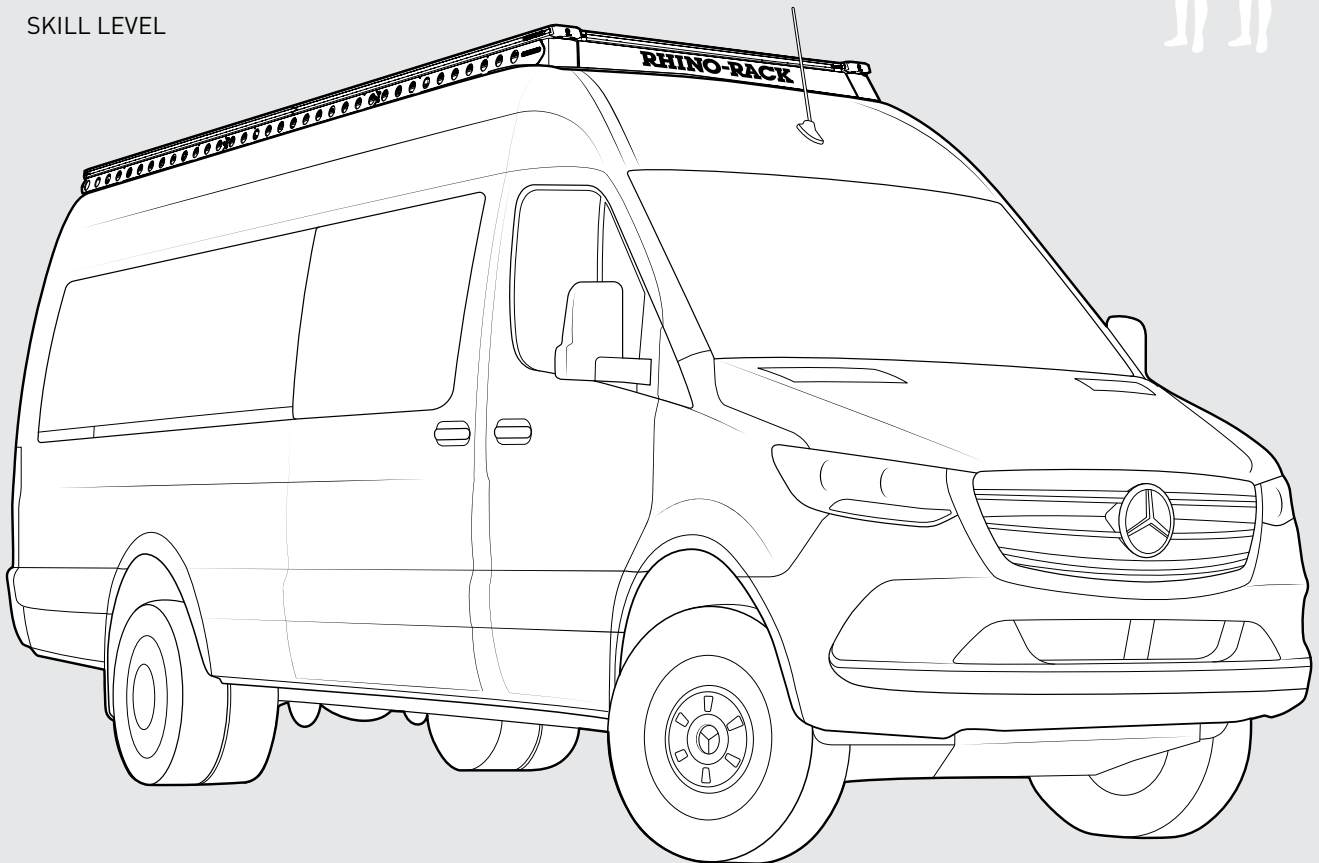
Fit Time: 2 hours



INSTALLER
SKILL LEVEL



TWO-PERSON
INSTALLATION

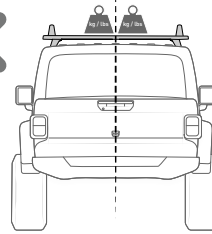
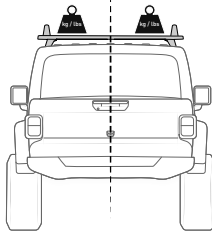
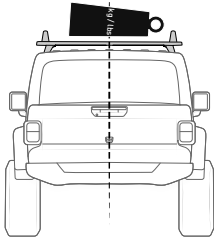


RHINORACK.COM

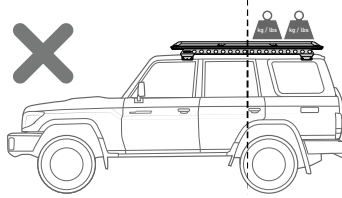
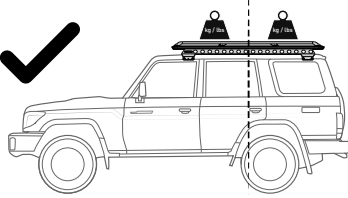
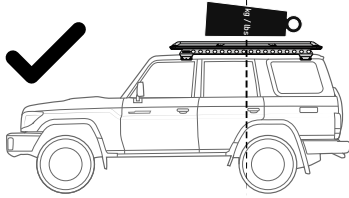
Doc. No: 520-RFI-00090

Issue No: 01

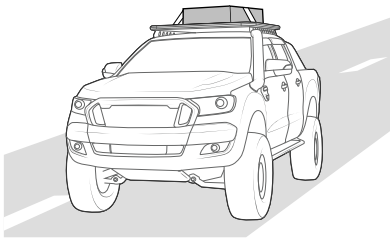
Issue Date: 27/07/2023



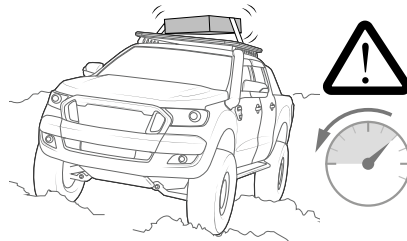
Distribute loads evenly and longitudinally as low as possible over the span.



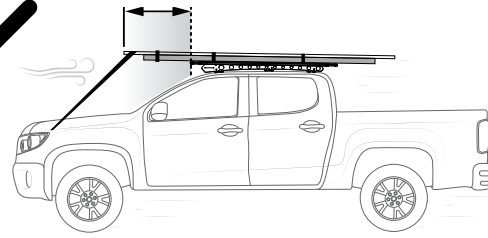
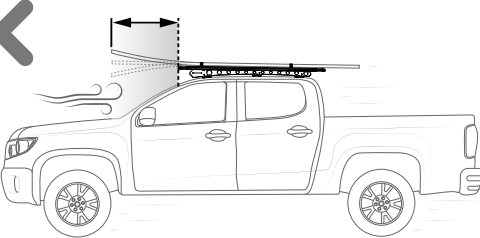
Avoid point loads concentrated at the front or rear.



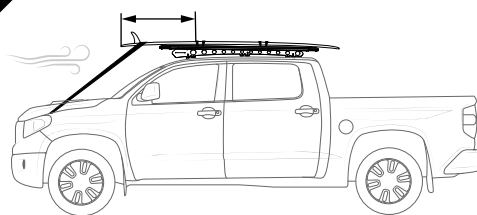
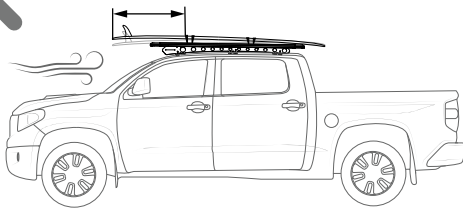
Exercise extreme care when transporting wind-resistant loads. Special consideration must be taken when cornering and braking.



Off-road conditions can be much more rigorous. Extreme care must be taken on any driven path that does not contain a surface protection layer (tar/bitumen).



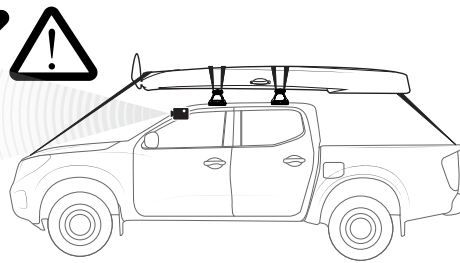
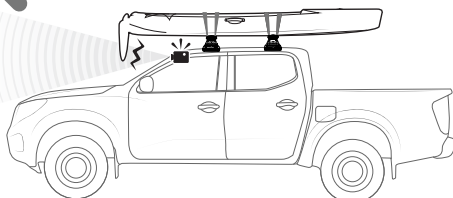
Long flexible loads must attach securely to rigid support and be tied down to the bonnet.



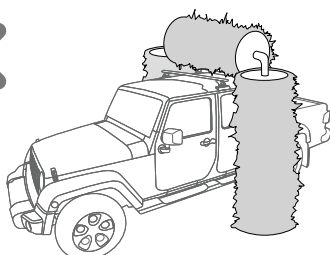
Surfboard Overhang greater than **600mm / 23 5/8in** must be tied to the bonnet



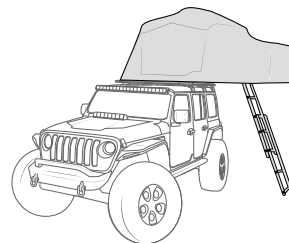
Do NOT obstruct windscreen camera sensors



Warranty for roof rack system will be void if the front of the kayak is not secured to the bonnet

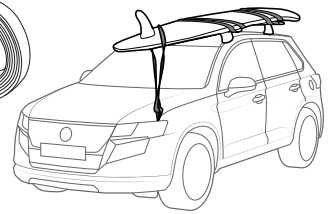
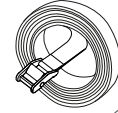


Racks must be removed when going through an automatic car wash.

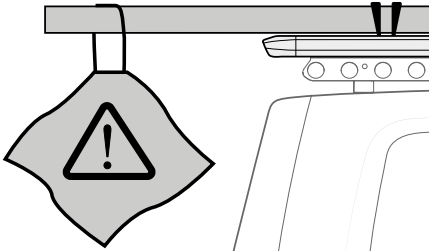
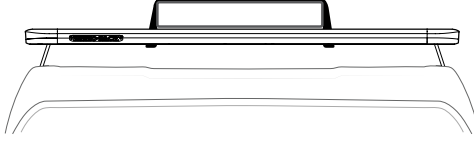
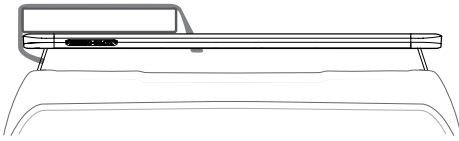


Ensure ladder is stable and well supported. Take caution when climbing the ladder

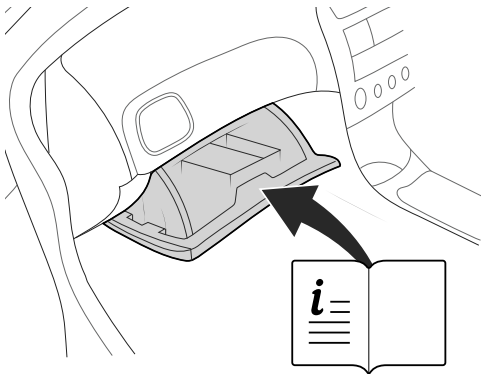
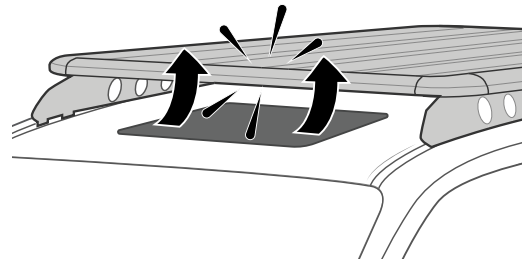
X Loads must be tied down to Cross Bars, not around legs



Use only non-stretch fastening ropes or straps to attach cargo to roof racks



Ensure sunroof will not collide with roof rack system.



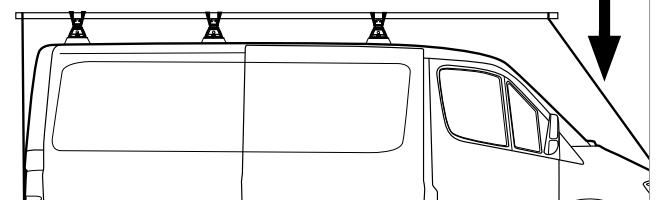
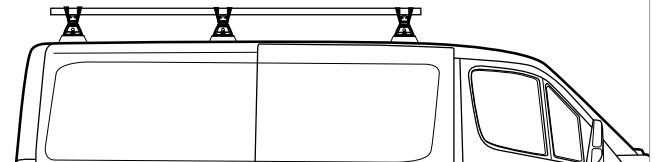
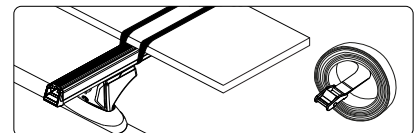
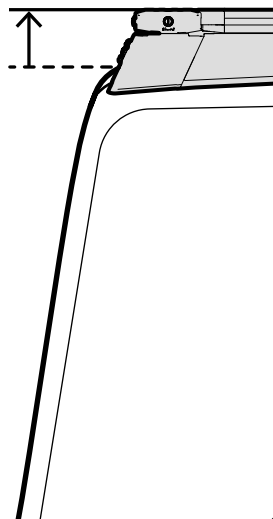
[Youtube.com/RhinoRackAustralia](https://www.youtube.com/RhinoRackAustralia)

ADDED VEHICLE HEIGHT

TOP OF ROOF SYSTEM

BARE ROOF = 82mm / 3 1/4"
TRACK = 118mm / 4 5/8"

HIGHEST POINT ON VEHICLE'S ROOF / TRACK







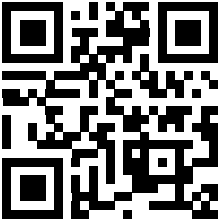
Carrying Capacity

Check the website and the vehicle owners hand book for your vehicle manufacturer’s maximum carrying capacity.

IMPORTANT: Load must be evenly distributed over the system.

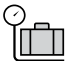
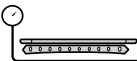


DYNAMIC LOAD LIMIT:
*USE THE VEHICLE MANUFACTURER’S MAXIMUM ROOF ALLOWANCE IF IT IS LOWER THAN THE FIGURE LISTED

 CARGO UP TO 80 KG 176 lbs	+	 * SYSTEM WEIGHT 40 KG 88 lbs	=	 LOAD LIMIT UP TO 120 KG 264 lbs	OR	 *VEHICLE MANUFACTURER’S ROOF LOAD LIMIT
---	---	---	---	---	----	--



**VISIT THE ONLINE
LOAD LIMIT
CALCULATOR FOR
CURRENT LOAD DATA**

*SYSTEM WEIGHT includes RDB165 BARS and RDNSB100 BARS. RDB165 and RDNSB100 bar kits sold separately.




 Cargo Load Limit	 System Weight	 Max System Load Capacity	 Vehicle Manufacturer’s Load Limit
<p>Total permissible weight allowed on top, and attached to the rack whilst the vehicle is in motion.</p>	<p>Total weight of the rack system. (e.g. Crossbars, Backbone, Platform)</p>	<p>Please ensure you use the vehicle manufacturer’s maximum roof allowance if it is lower than the figure listed in the fitting chart/ supplement.</p>	<p>Total permissible weight attached to the rack. This is inclusive of the weight of the rack system.</p>

In service maintenance checks

- All bolt connections should be checked after driving a short distance when you first install your roof racks.
- All bolted connections should be checked again at regular intervals (weekly is recommended, depending on road conditions, usage, loads and distances travelled).
- All bolted connections should be checked each time they are re-fitted.
- Off-road conditions are more rigorous. Check all bolted connections and your load more regularly.
- Ensure that your vehicle manufacturer’s GVM, and gross axle weights are not exceeded (refer to vehicle owner’s manual).

Torque Settings:

Unless stated otherwise in these instructions, all fasteners should be set to the following torque settings:

 4-5Nm 3-4lbs/ft	 8-10Nm 6-7.5lbs/ft	 16-18Nm 12-13lbs/ft
---	---	---

Note for Dealers and Fitters

It is your responsibility to ensure these fitting instructions are given to the end user or client. These instructions remain the property of Rhino-Rack Australia Pty. Ltd. and may not be used or changed for any other purpose than intended.

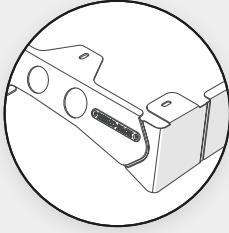
Warranty

We love creating our products for you and hope you love using them too. For complete peace of mind, register your product at www.rhinorack.com/warranty. This way, we can quickly help you with any future approved fitment warranty claims.

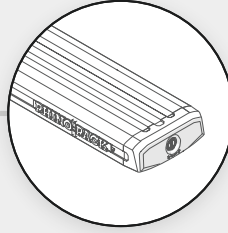
And remember – never to forget to **Make Space For Adventure!**

ROLM1 SYSTEM COMPONENTS

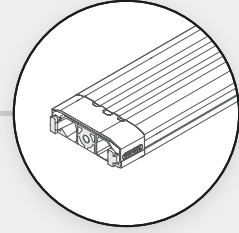
ROLM1-BK



RDB165 BARS



RDNSB100 BARS

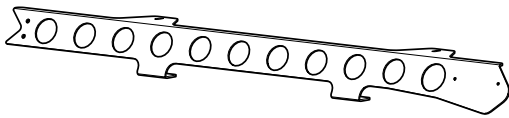


ROLM1-BK Parts

P1
BACKBONE

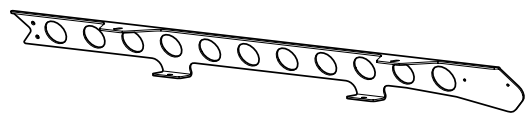
RIGHT FRONT Blade

A x1



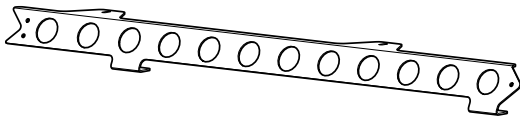
LEFT FRONT Blade

B x1



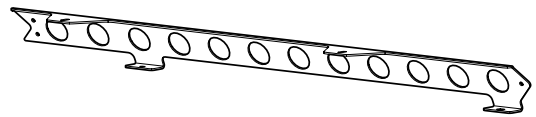
RIGHT MIDDLE Blade

C x1



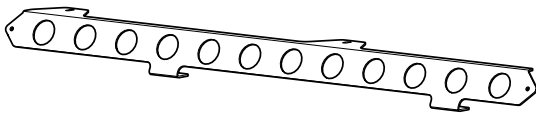
LEFT MIDDLE Blade

D x1



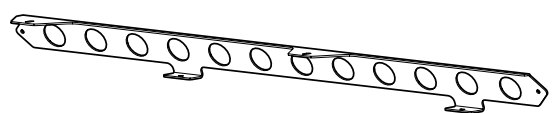
RIGHT REAR Blade

E x1



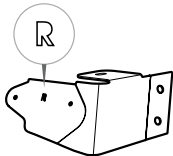
LEFT REAR Blade

F x1



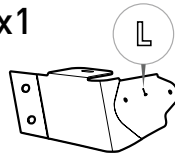
RIGHT Fairing Corner

G x1



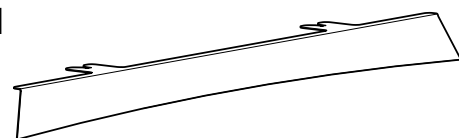
LEFT Fairing Corner

H x1



Centre Fairing

I x1



M4 Countersunk Screw

J x4



Rhino Logo Plate

K x2



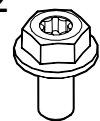
M4 Flanged Nyloc Nut

L x4



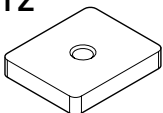
M6 x 12mm Hex Flanged Bolt

M x12



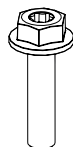
M6 Channel Nut

N x12



M6 x 25mm Hex Flanged Bolt

O x12



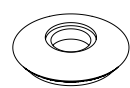
M6 x 19mm Flat Washer

P x12



M6 Sealing Washer

Q x12



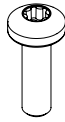
M6 Nyloc Nut

R x24



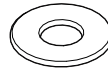
M6 x 20mm Torx Screw

S x12



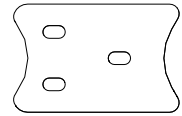
M6 x 16mm Flat Washer

T x12



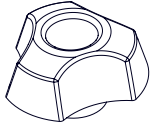
Backbone Connection Link

U x4



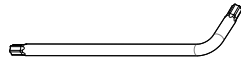
M6 Knob

V x4



Torx T30 L-Key

W x1

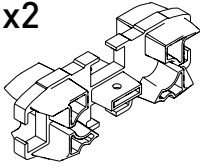


P2

RECONN-DECK

Reconn-Deck Connector

X x2



M5 x12mm Pan Head Plastite

Y x4



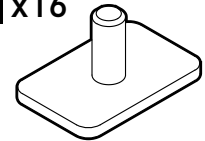
M5 Washer

Z x4



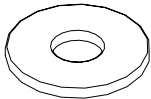
M8 T-bolt

AA x16



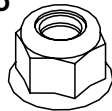
M8 Washer

BB x12



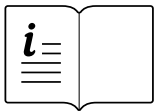
M8 Nyloc Nut

CC x16



Instructions

DD x1

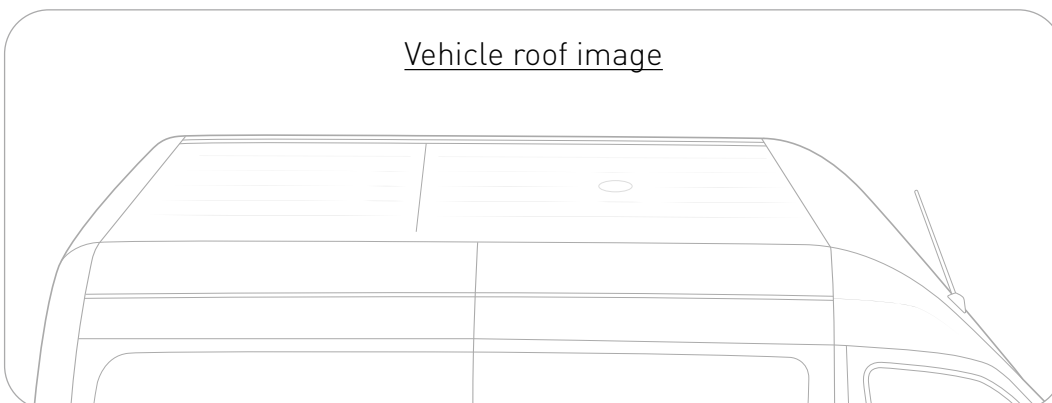


TOOLS REQUIRED:

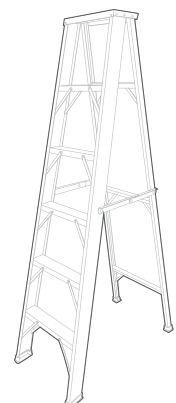
- T1** - Tape Measure
- T2** - Pencil or Marker (Bare Roof Variants only)
- T3** - Flathead Screwdriver (Bare Roof Variants only)
- T4** - Butyl Mastic and Gun (Bare Roof Variants only)
- T5** - 10mm / 3/8" Spanner
- T6** - Phillips Head Screwdriver
- T7** - Step Ladders
- T8** - 13mm Spanner

IMPORTANT INSTALLATION NOTE

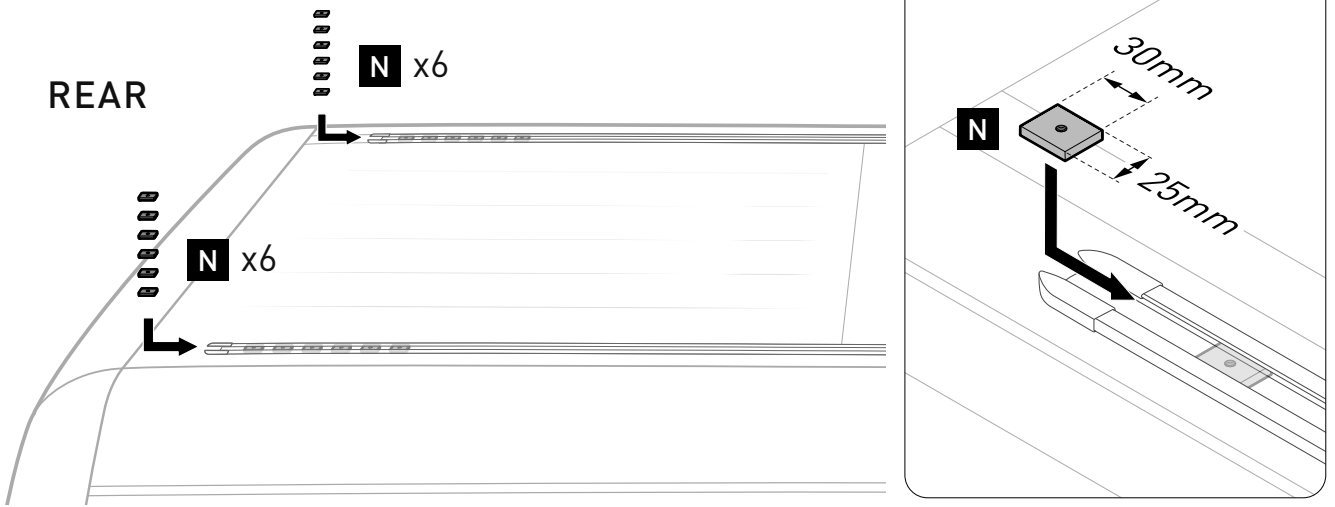
Step ladders are required for when a vehicle roof image is depicted. Installation steps where a vehicle roof image is **not** shown should be completed **off vehicle** at ground level.



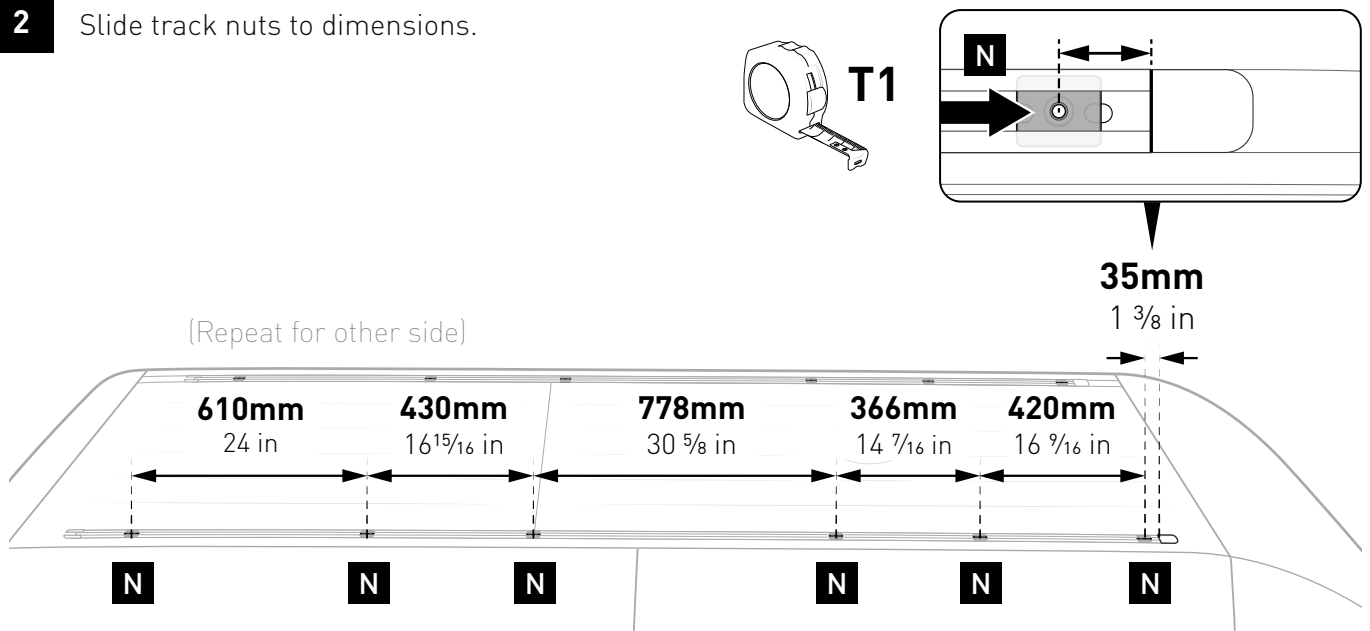
T7



1 FOR TRACK VARIANTS (For BARE ROOF skip to Step **3**)

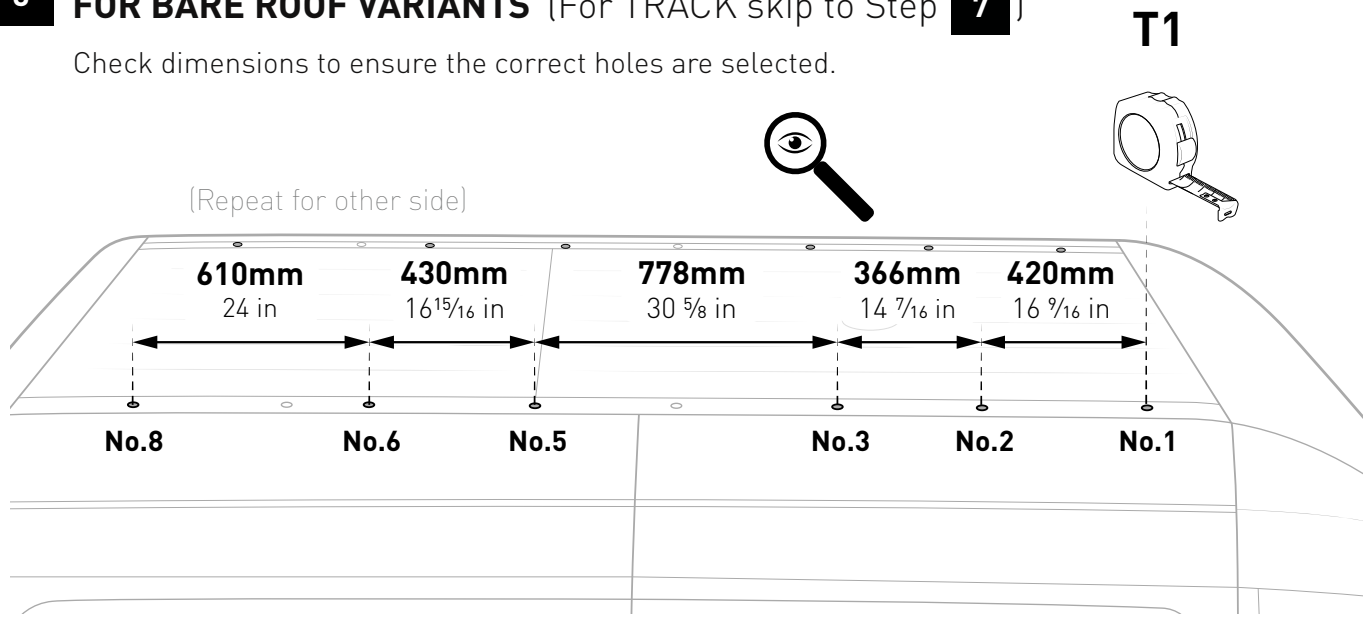


2 Slide track nuts to dimensions.

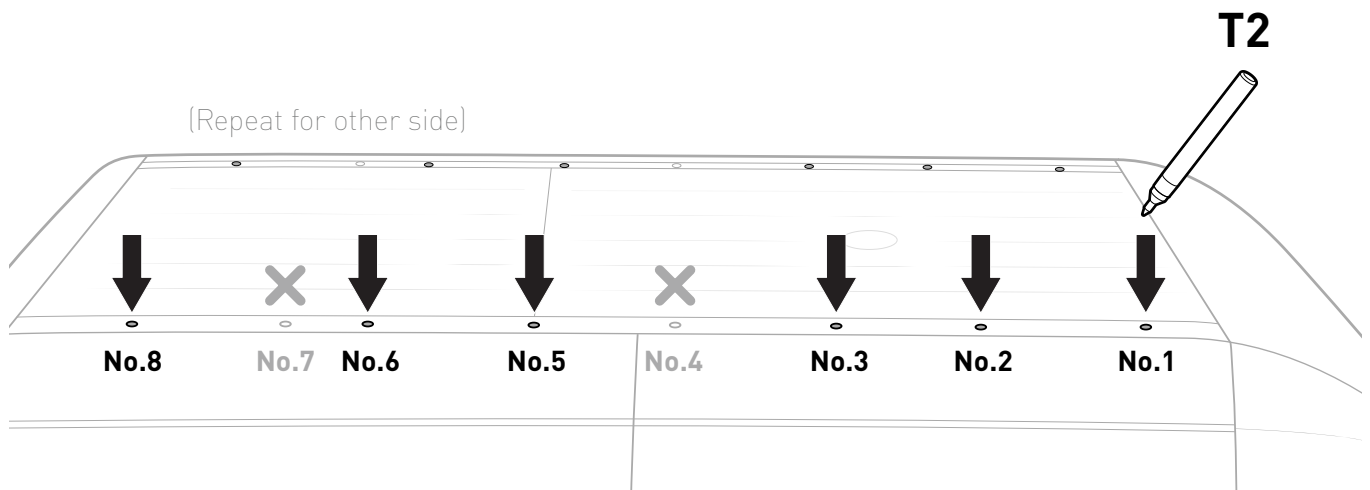


3 FOR BARE ROOF VARIANTS (For TRACK skip to Step **7**)

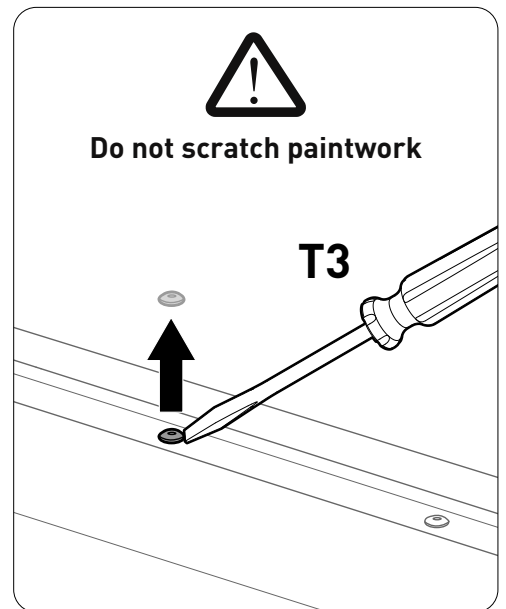
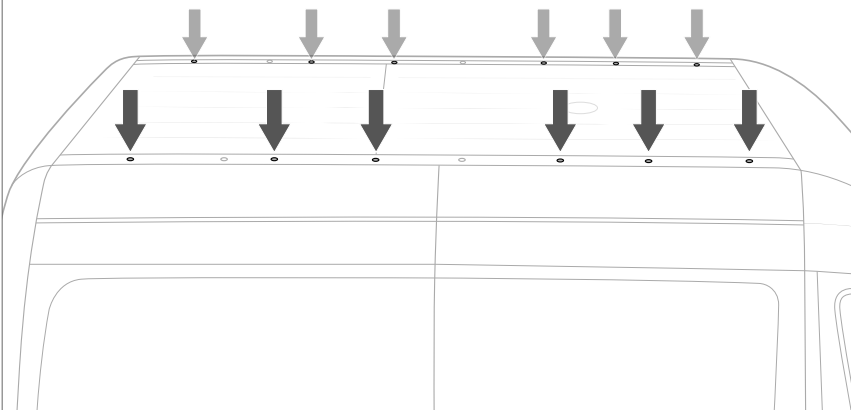
Check dimensions to ensure the correct holes are selected.



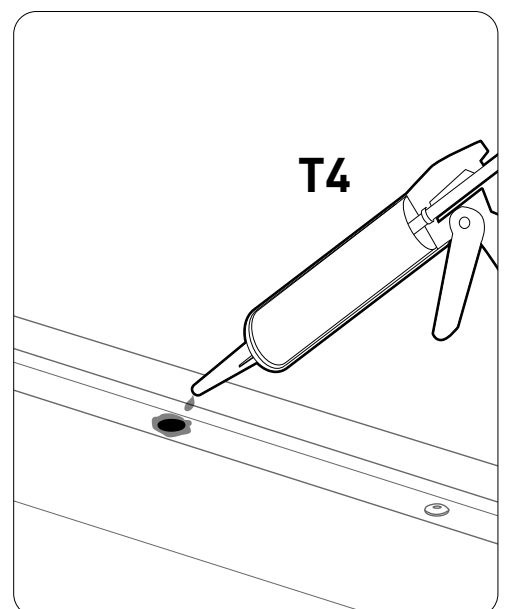
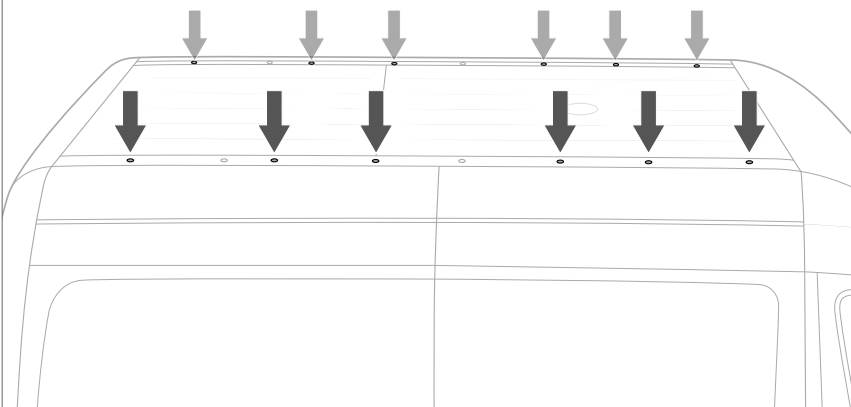
4 IDENTIFY and MARK the following plugs for removal.

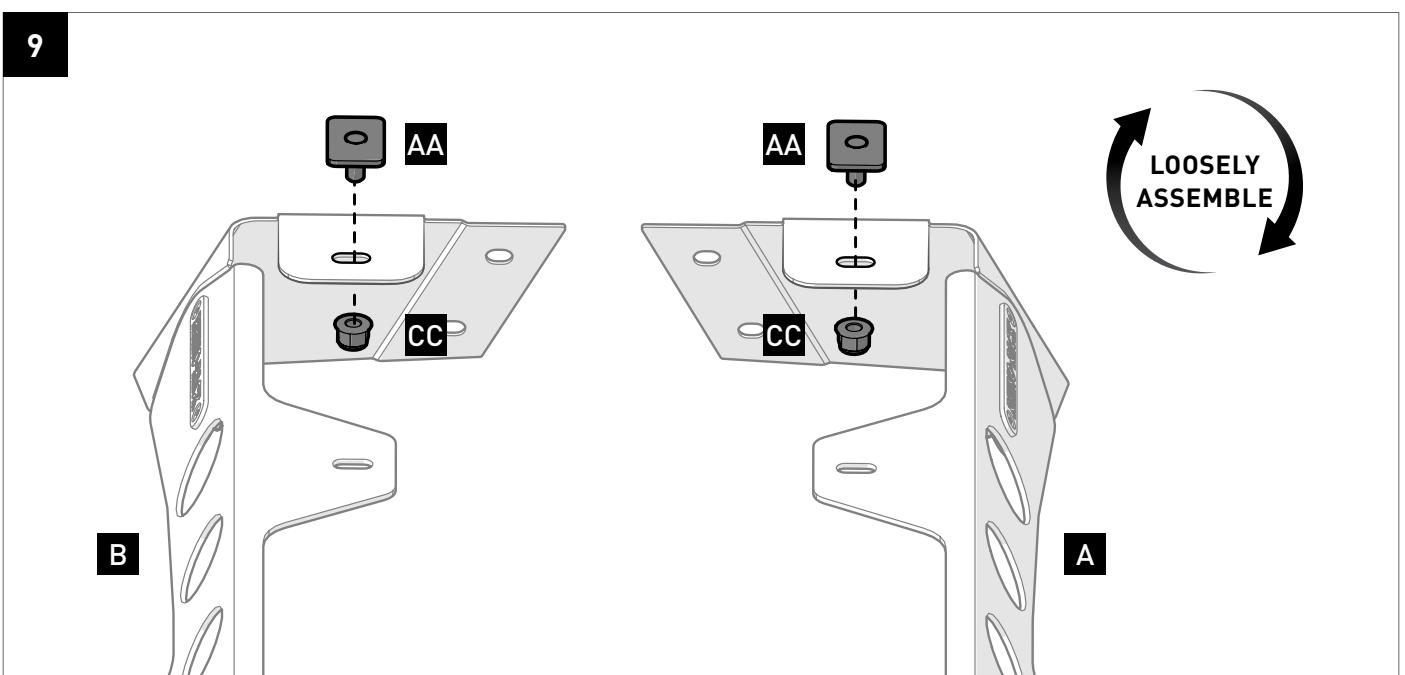
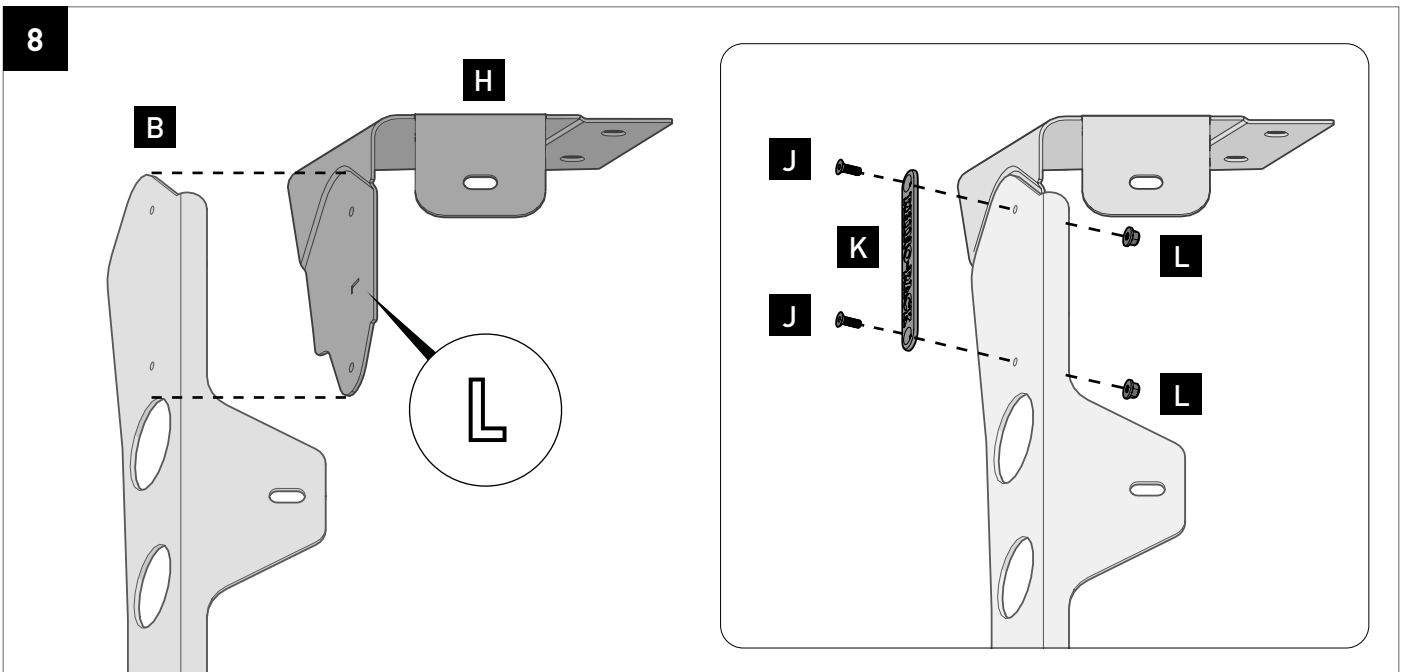
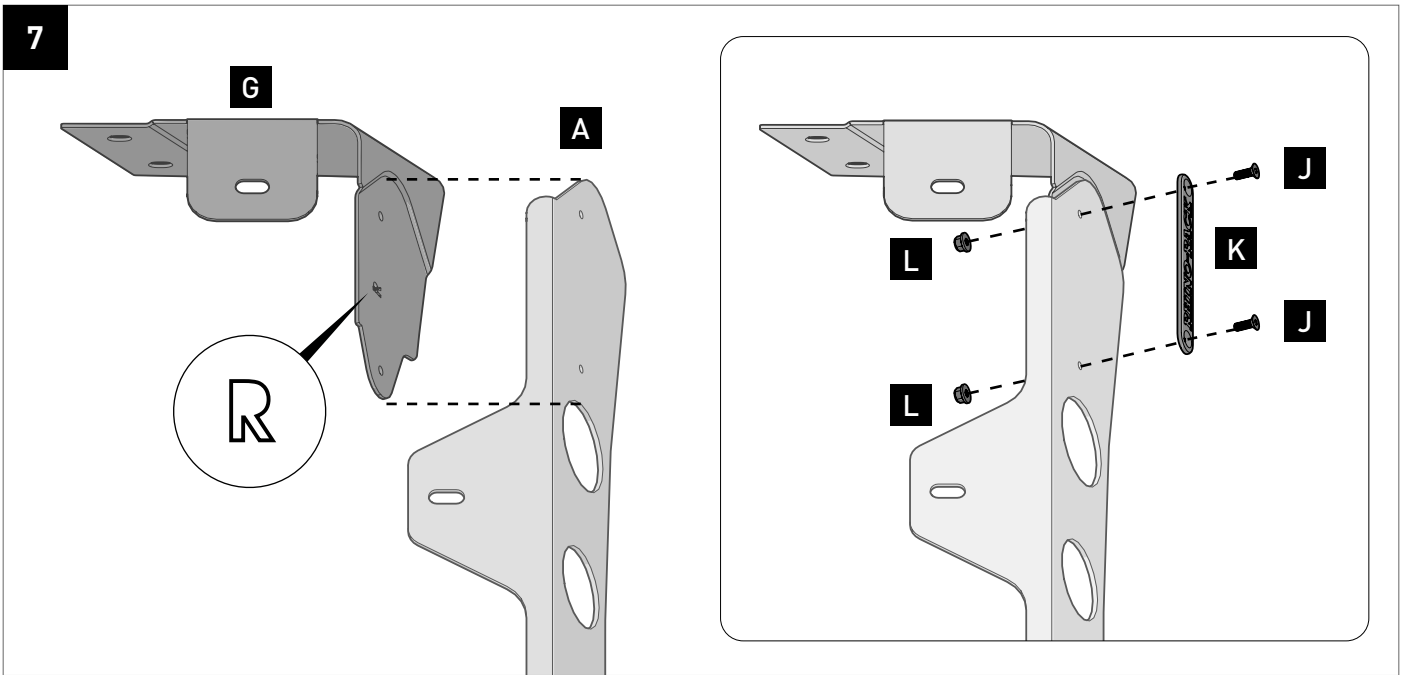


5

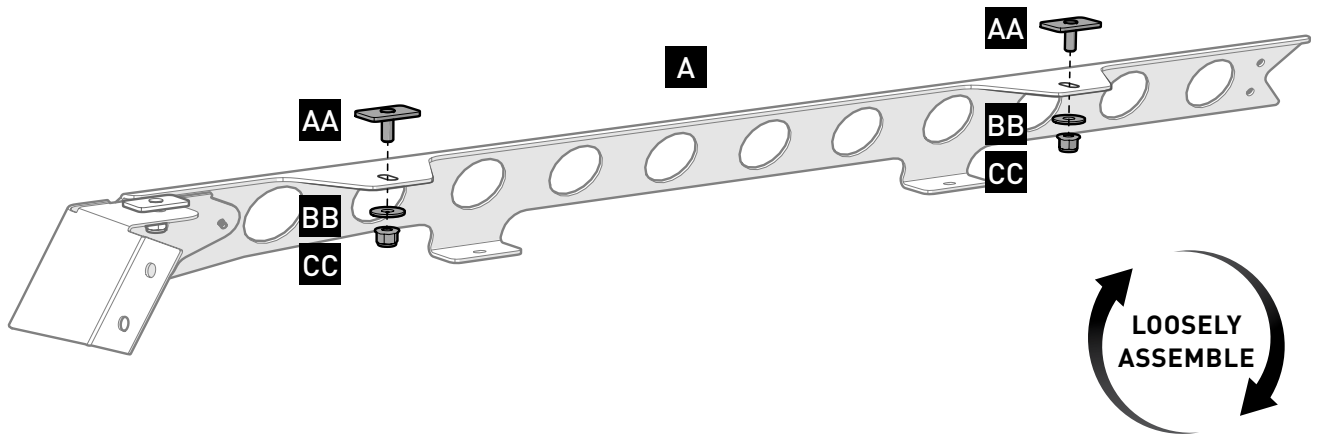


6 Apply Butyl Mastic sealant in and around each exposed hole.



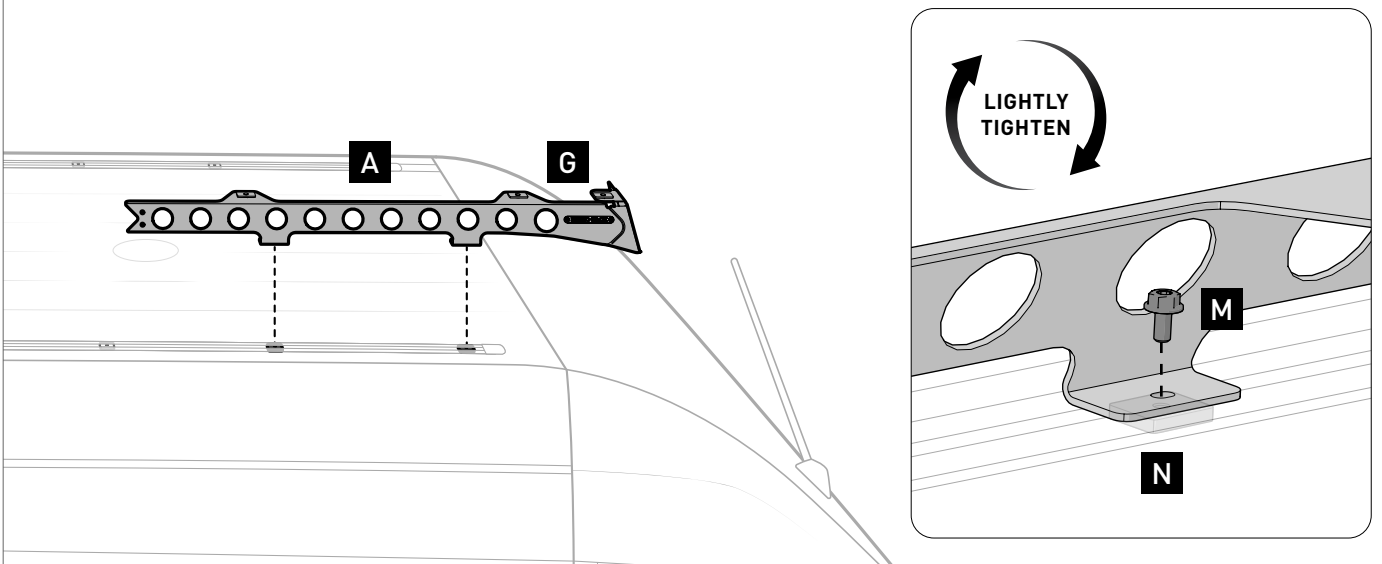


10



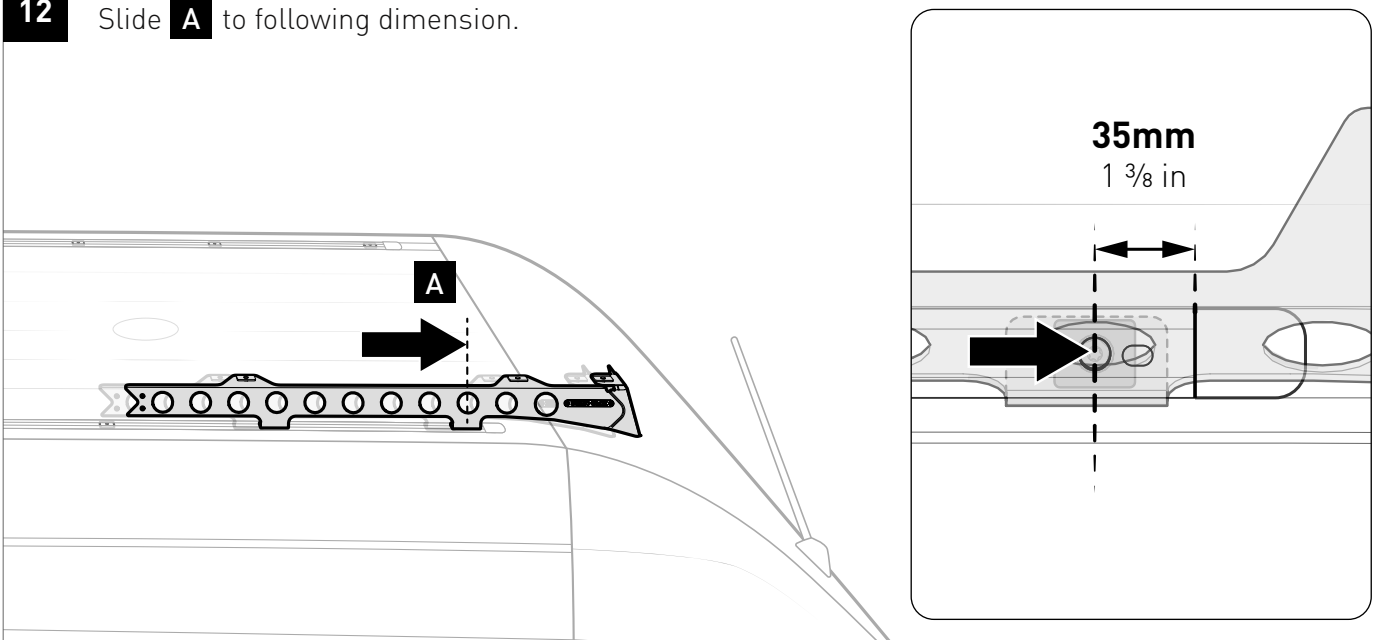
11

FOR TRACK VARIANTS: (For BARE ROOF skip to Step 13)

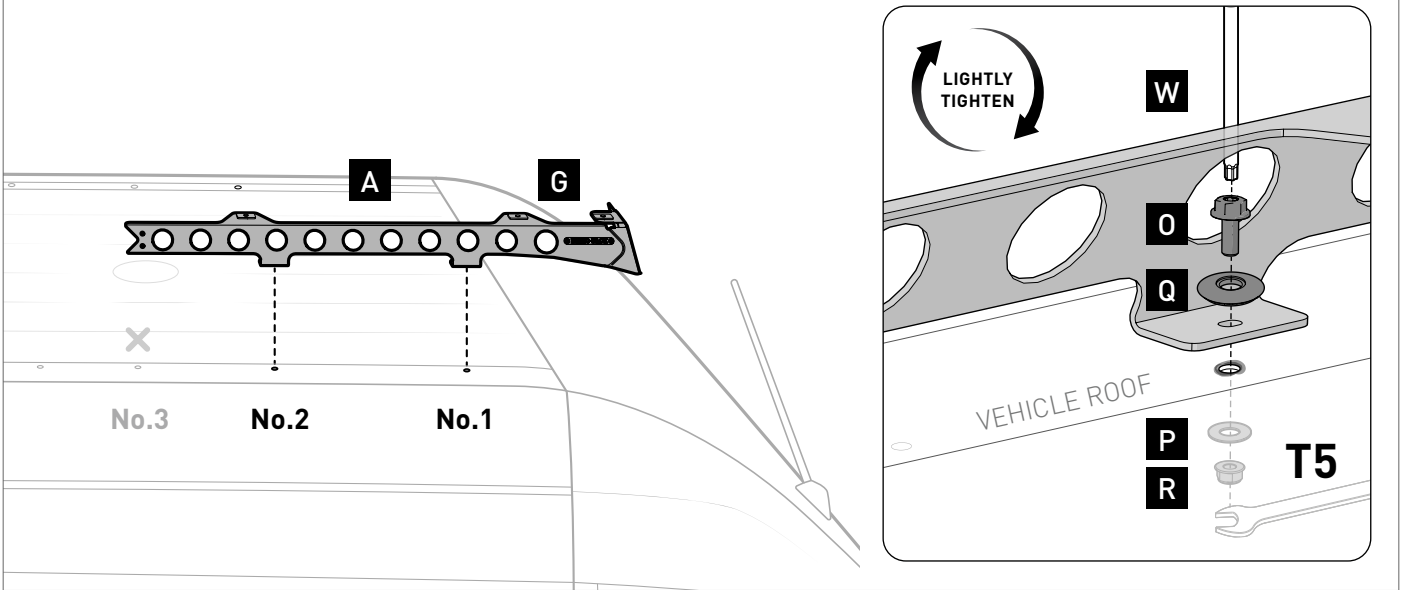


12

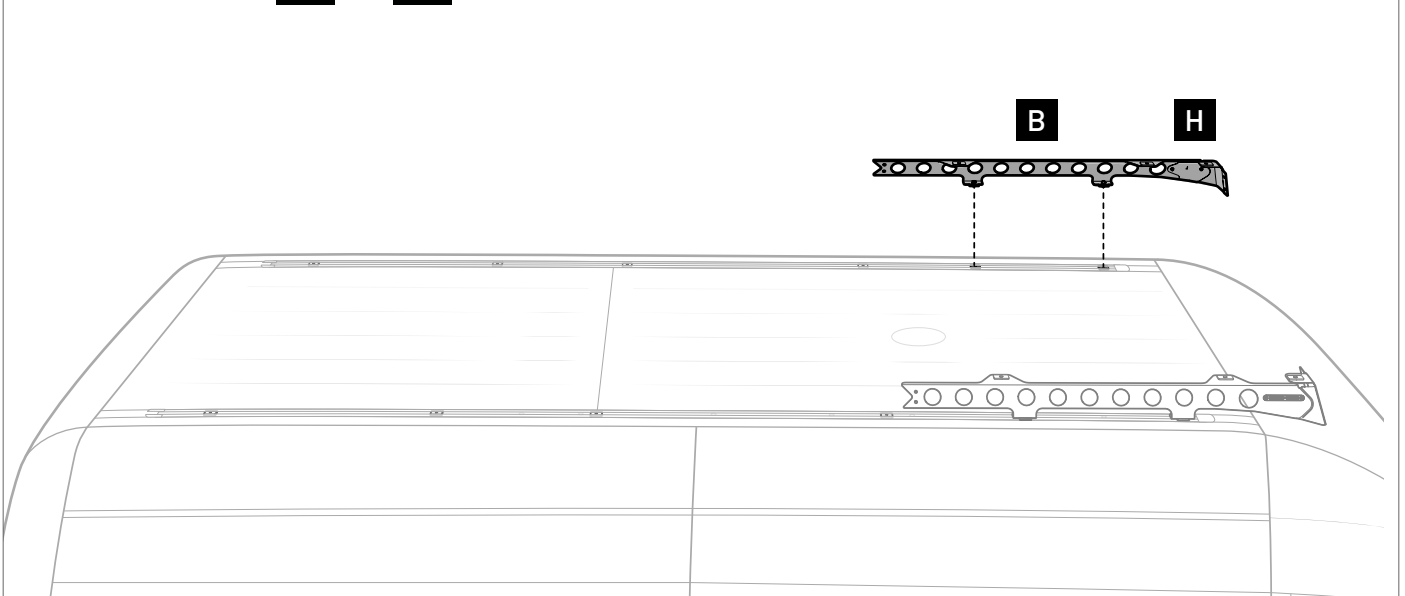
Slide A to following dimension.



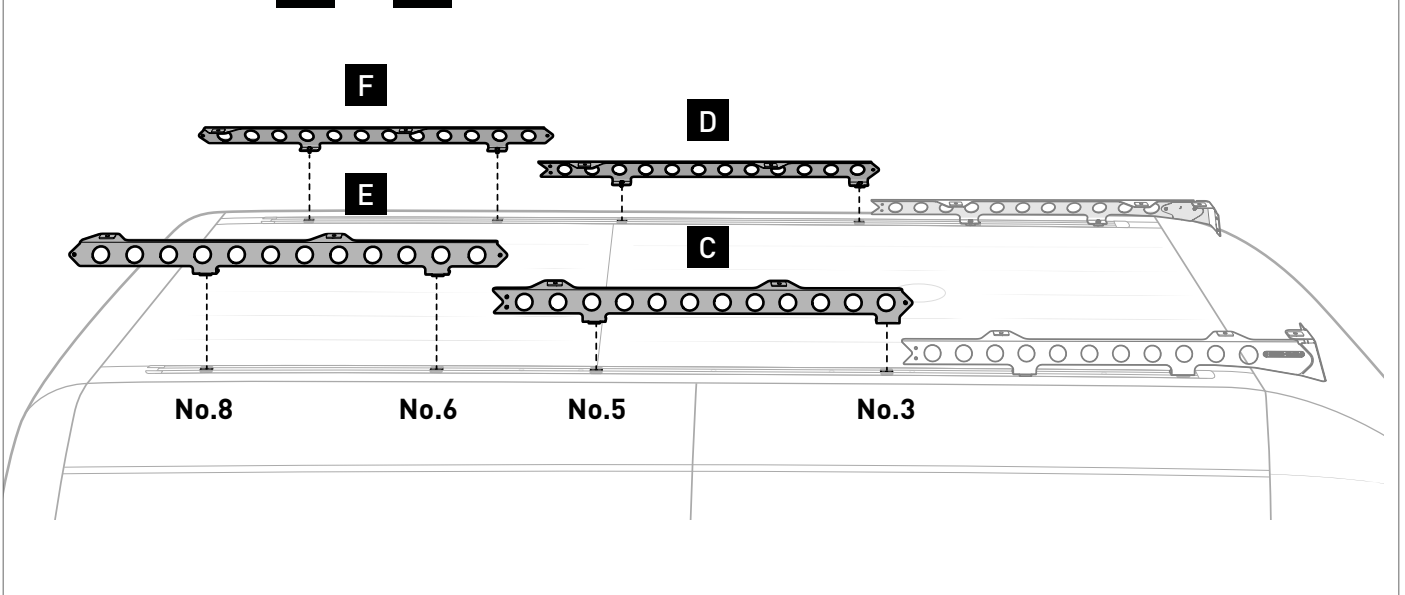
13 FOR BARE ROOF VARIANTS (For TRACK skip to Step **14**)



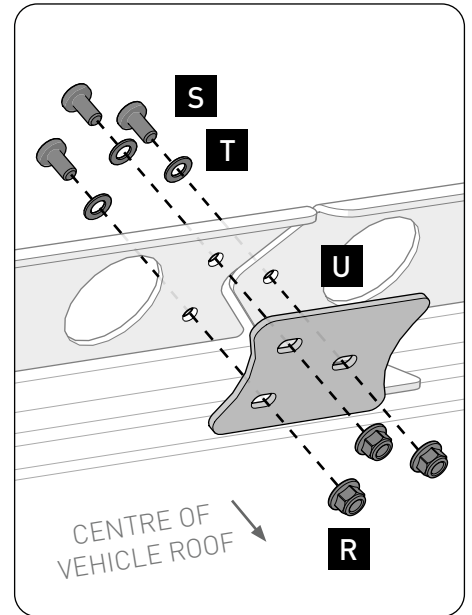
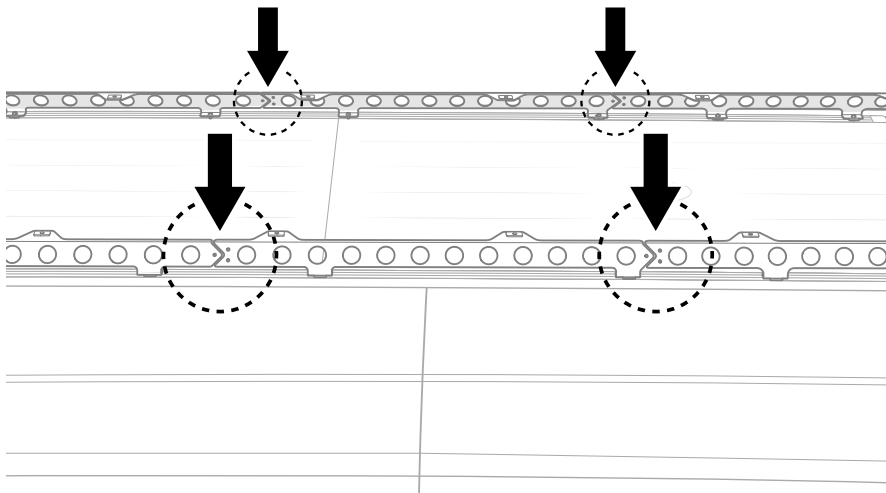
14 Repeat Steps **10** to **13** to Left Hand Side



15 Repeat Steps **10** to **13** to all remaining holes

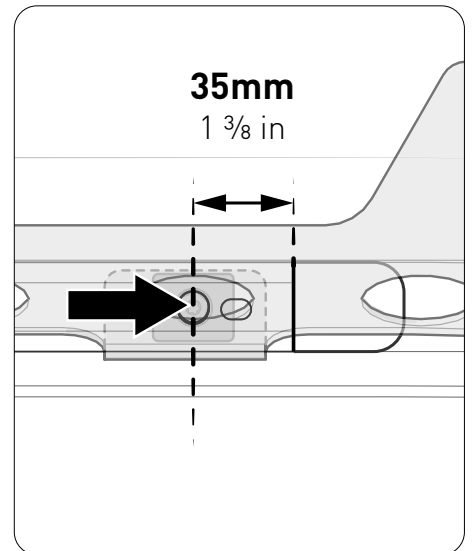
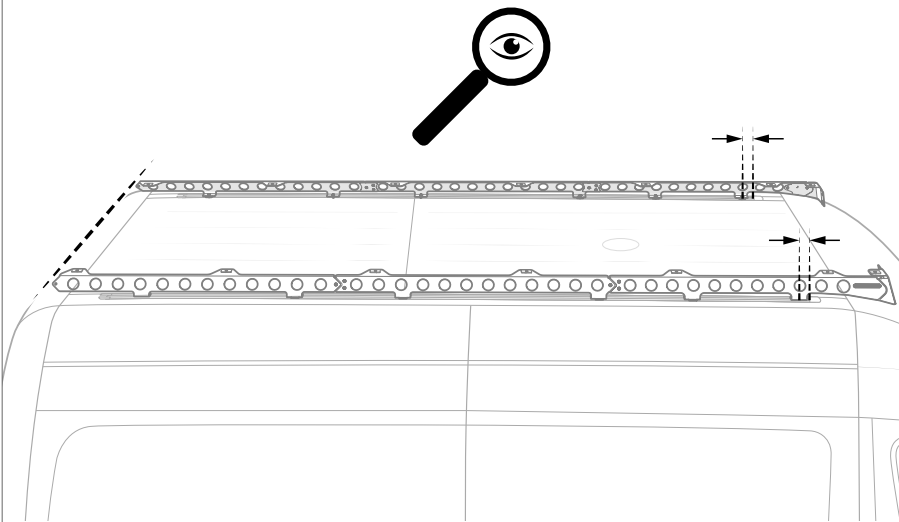


16

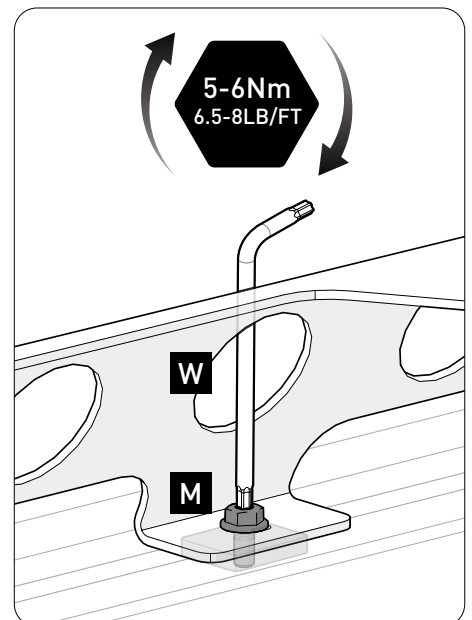
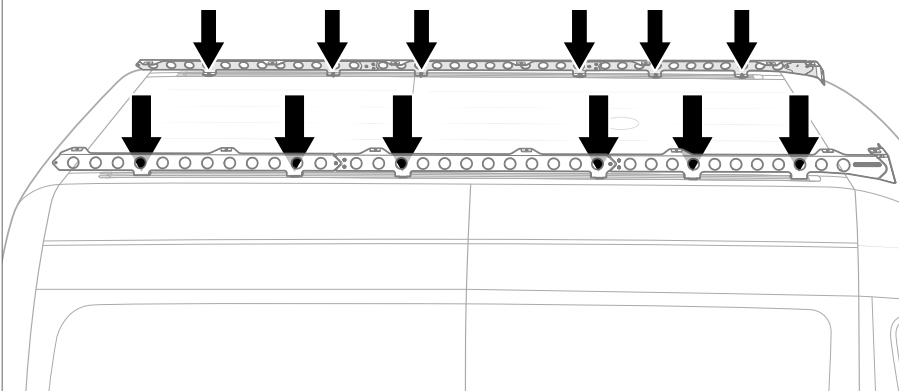


17

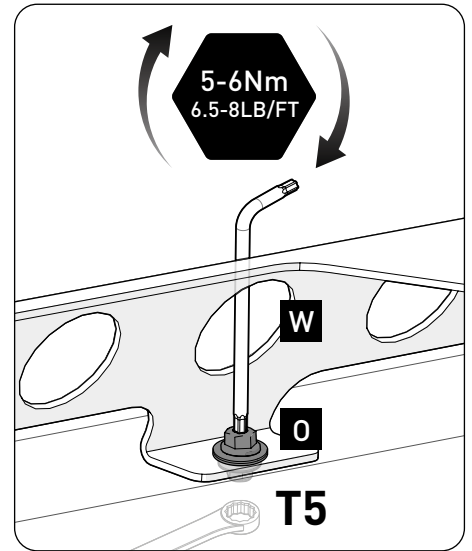
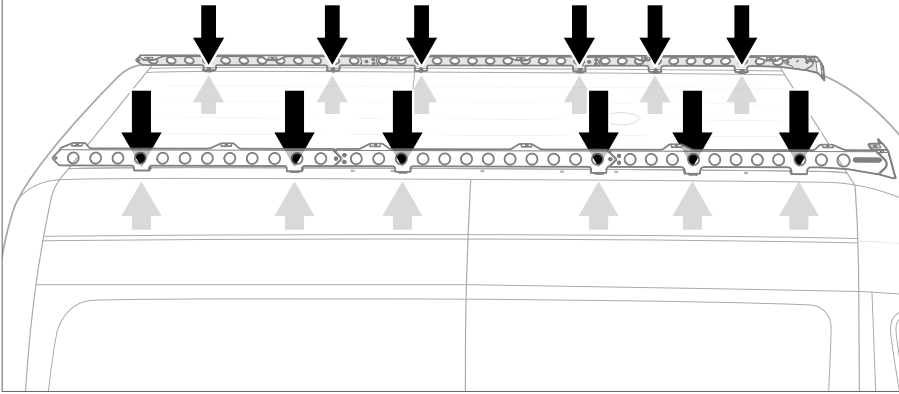
FOR TRACK VARIANTS: (For BARE ROOF skip to Step 19)



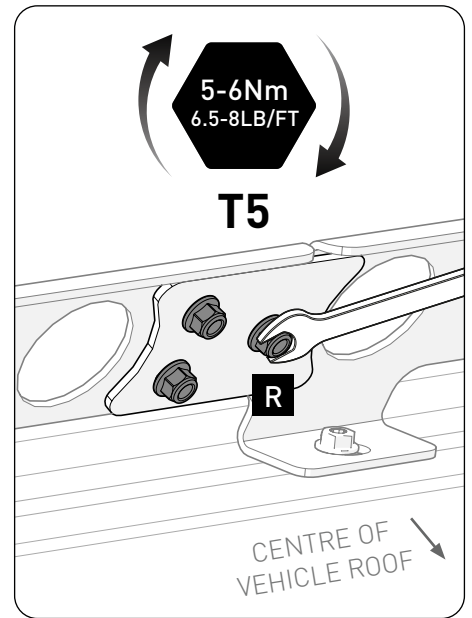
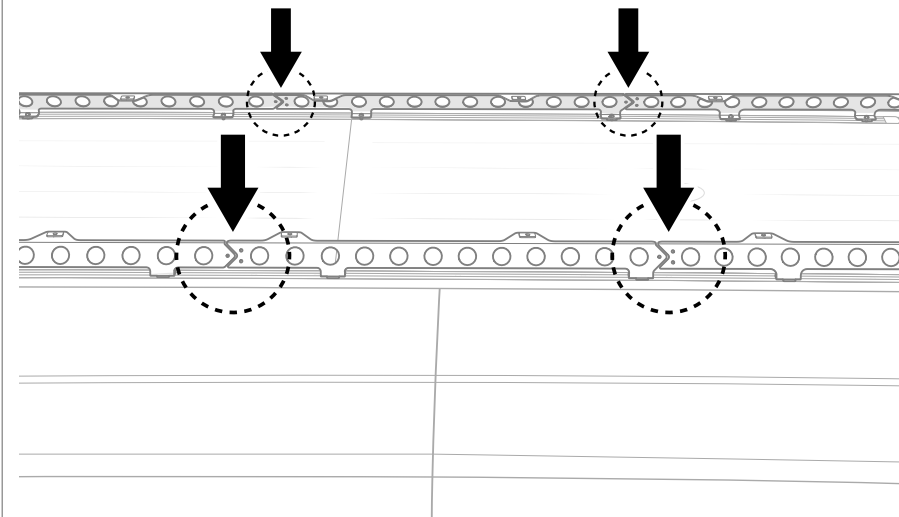
18



19 FOR BARE ROOF VARIANTS: (For TRACK skip to Step **20**)

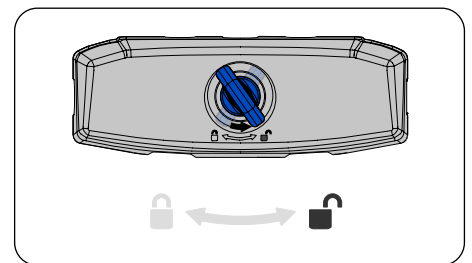
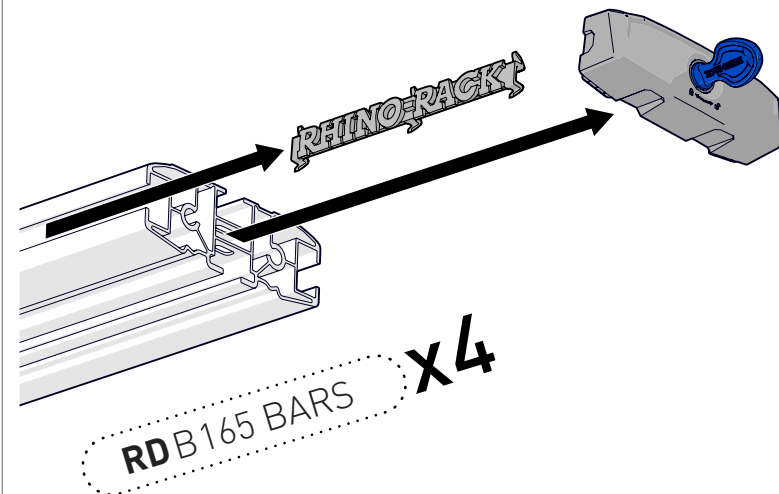


20

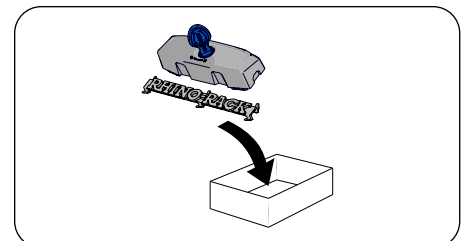


P2

21

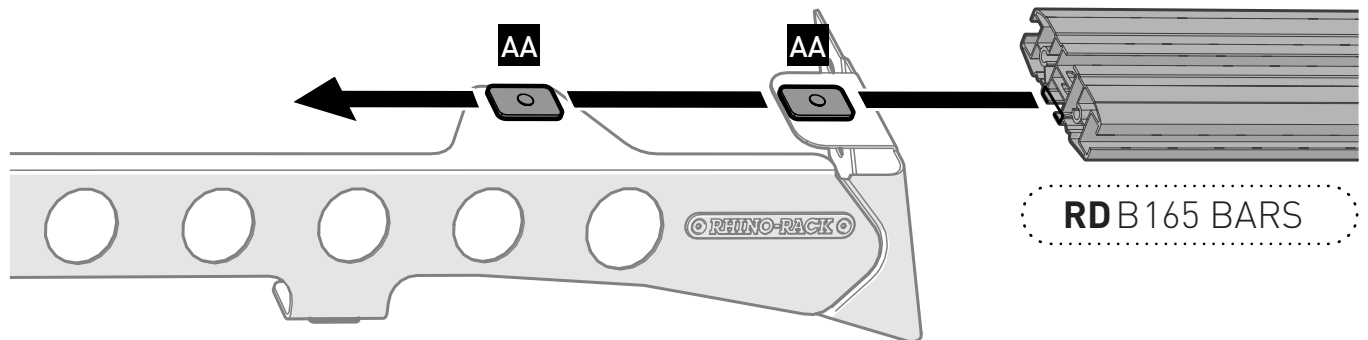
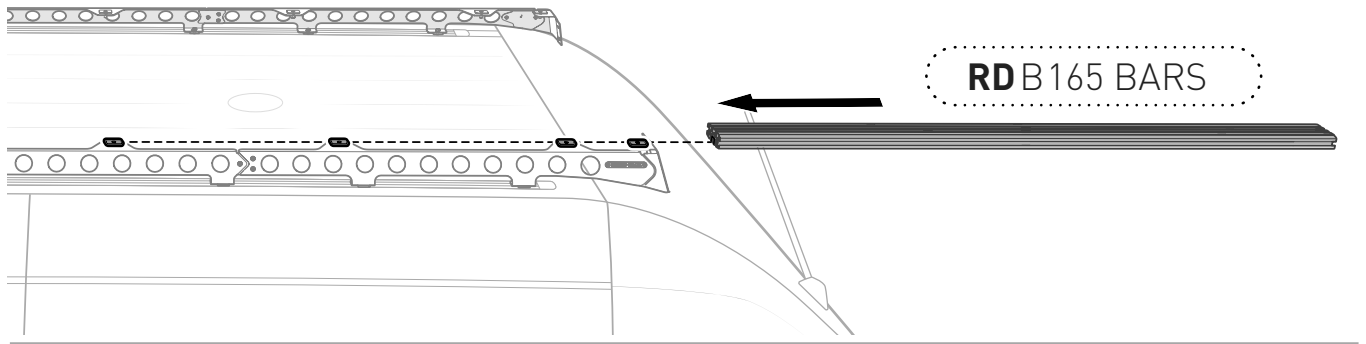


Will be required at Step **27** & **58**

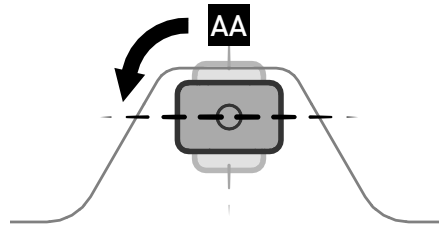


RECONN-DECK <

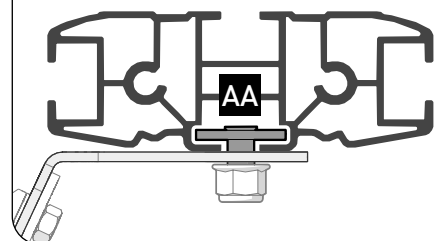
22



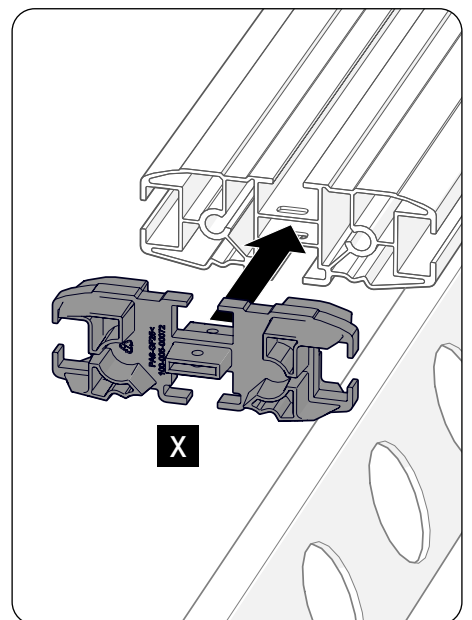
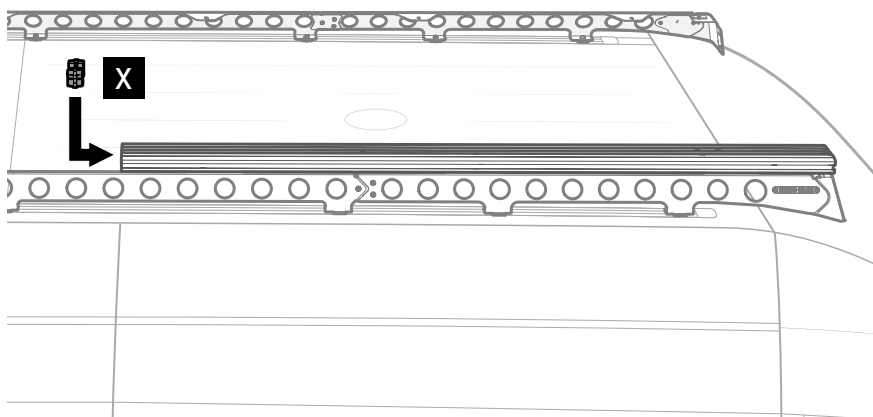
T-bolts must be oriented lengthways



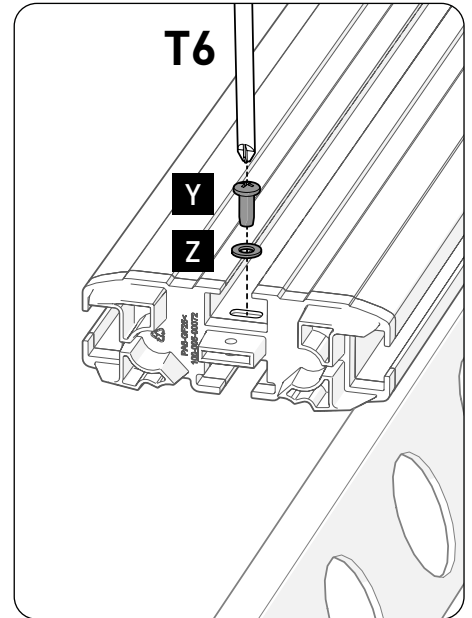
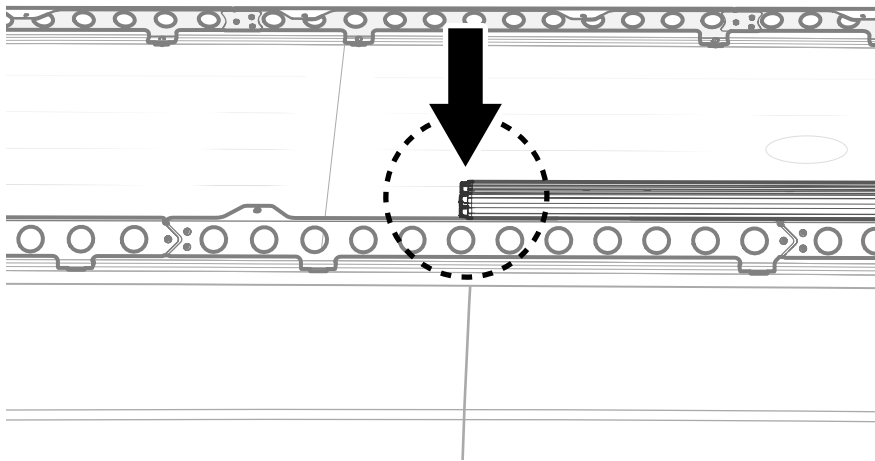
SIDE VIEW



23

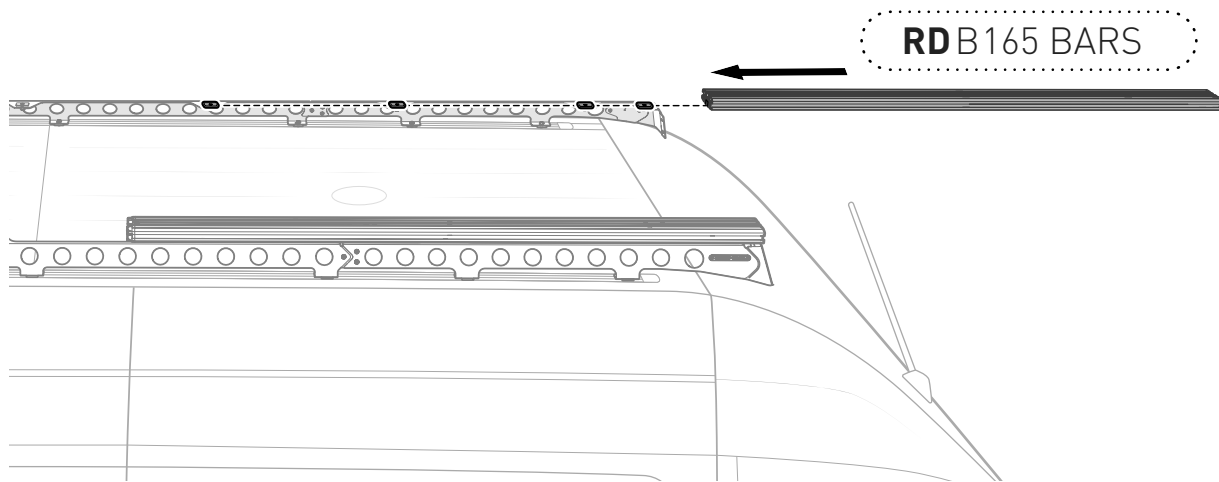


24



25

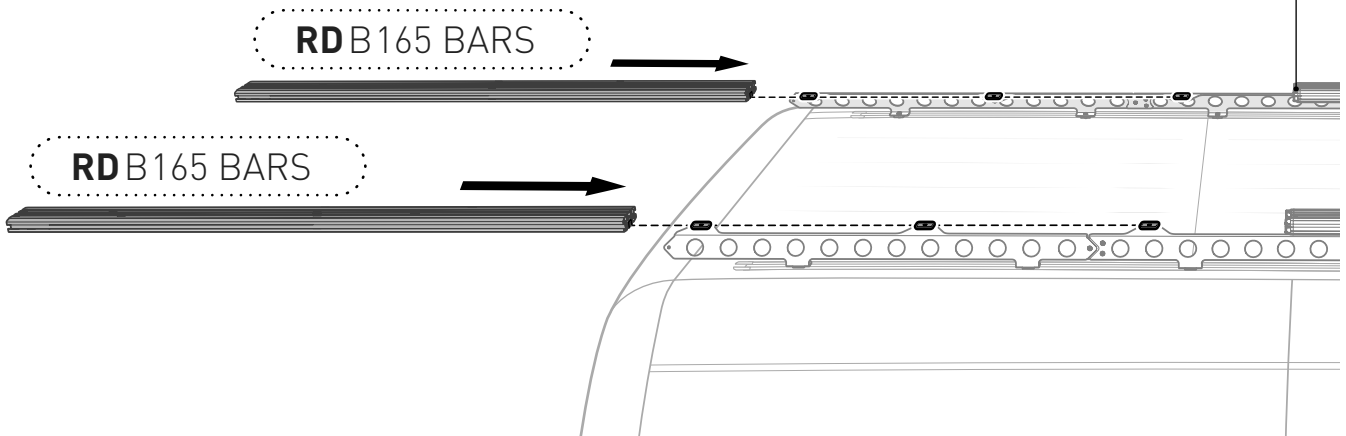
Repeat Steps 22 to 24 to Left Hand Side



26

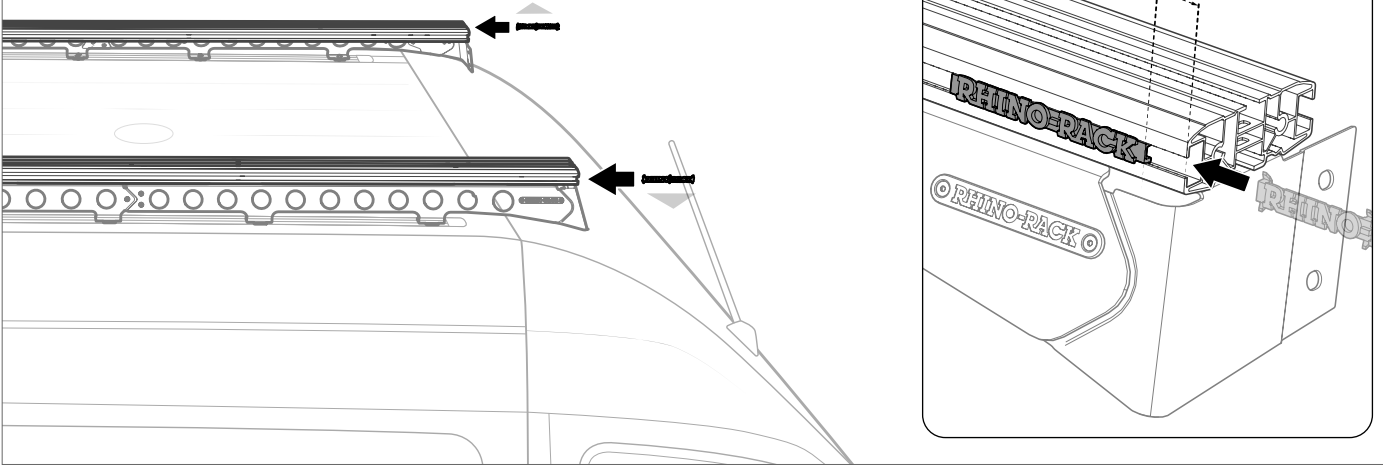
Repeat Step 22 to both REAR bars

NOTE:
Do not couple the REAR bars
to X connectors yet.
Leave a gap.

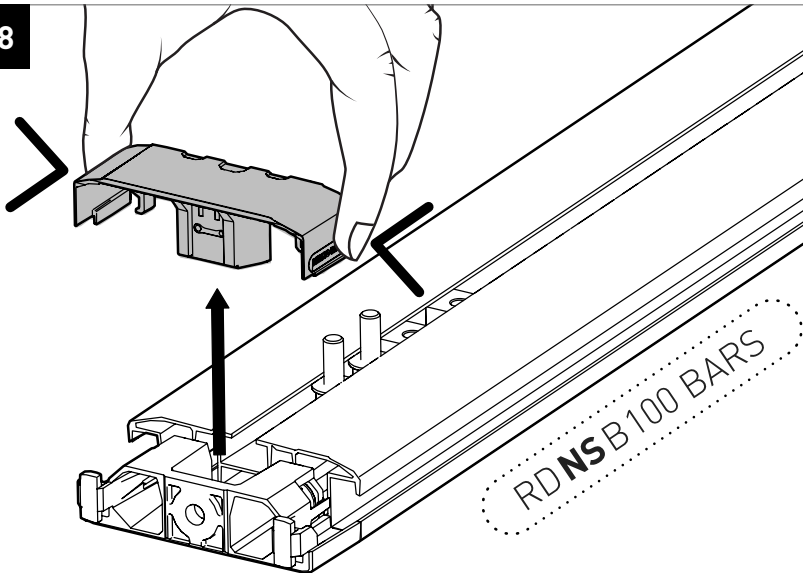


27

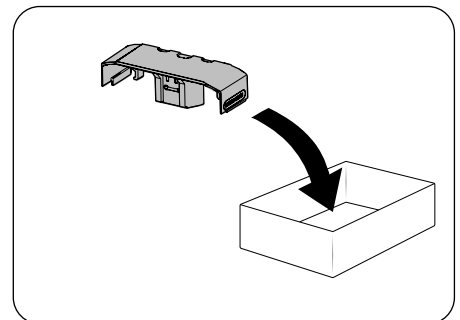
NOTE: Branding faces outwards



28

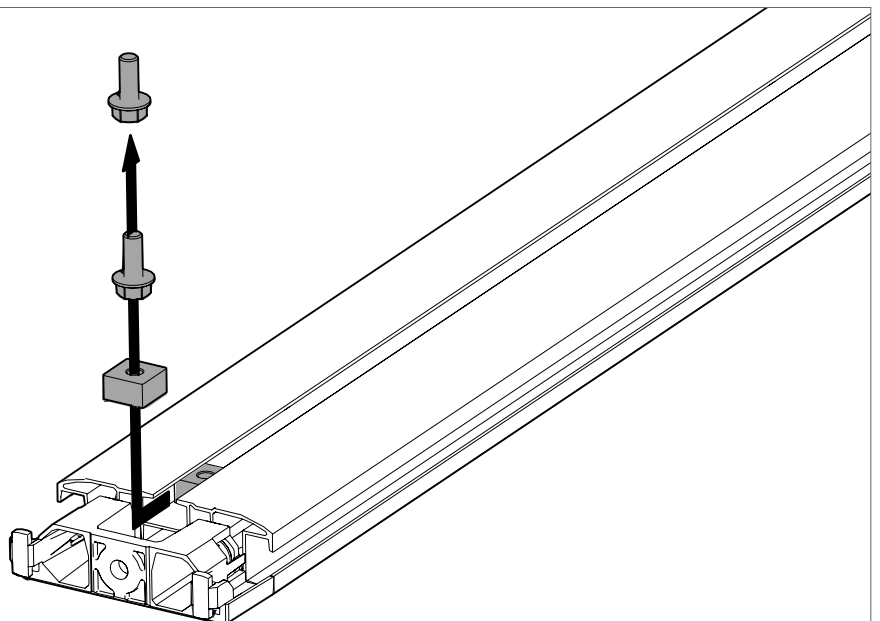


Will be required at Step **46**



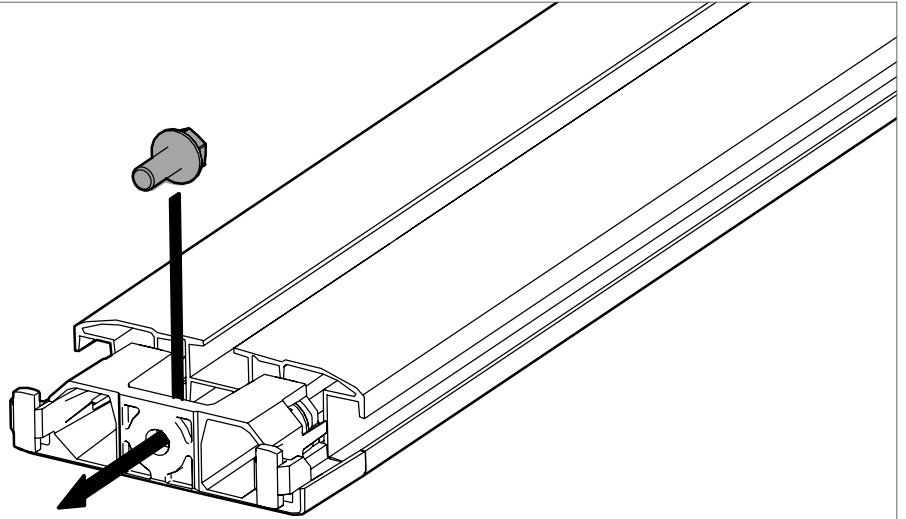
Repeat for both sides of each bar

29



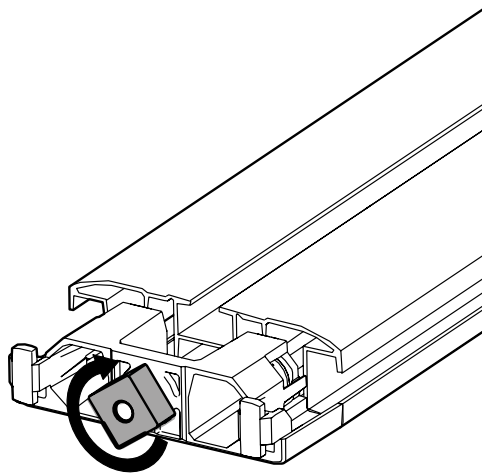
Repeat for both sides of each bar

30

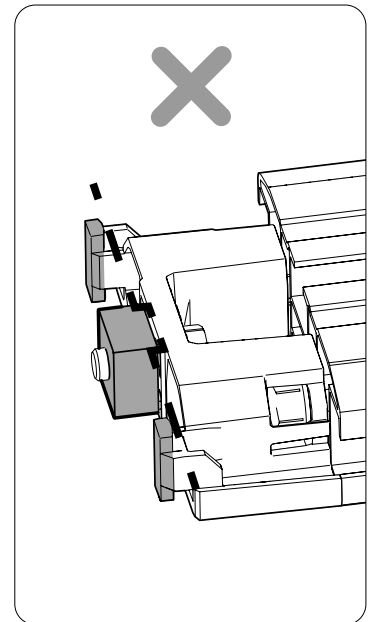
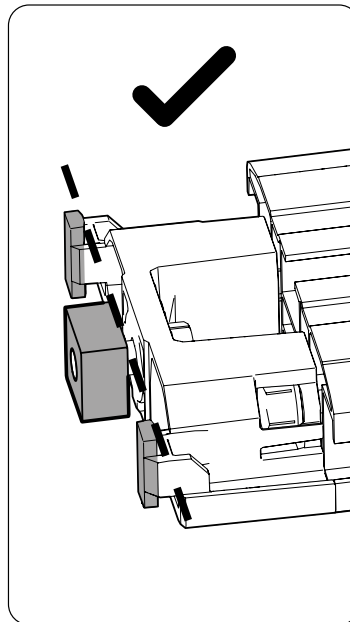


Repeat for both sides of each bar

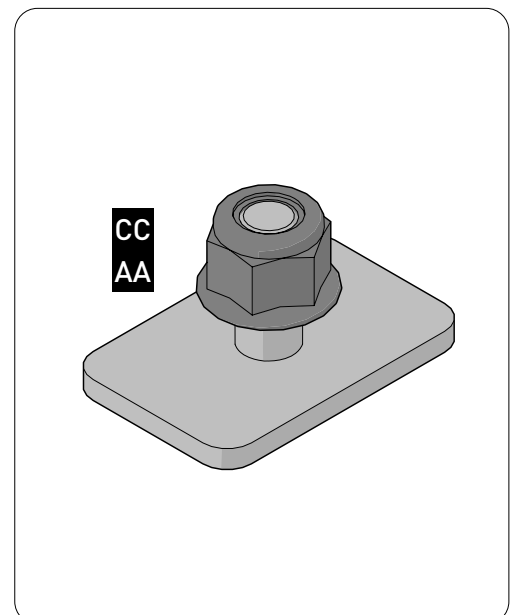
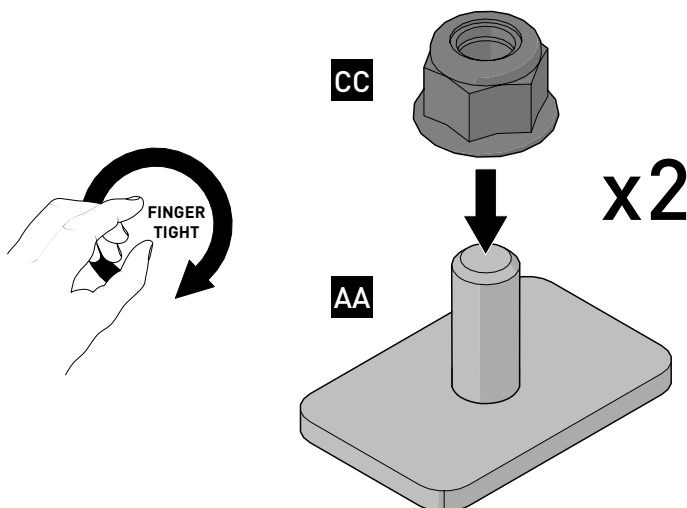
31



Repeat for both sides of each bar

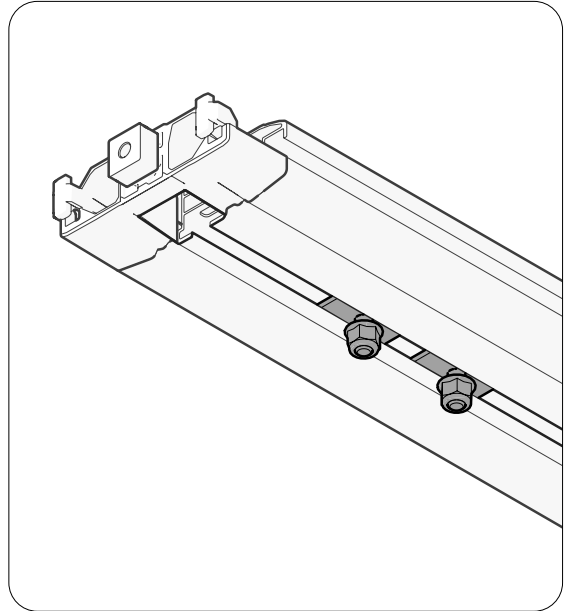
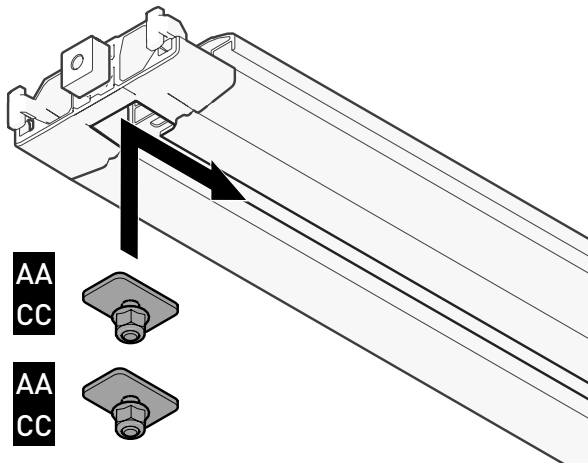


32



33

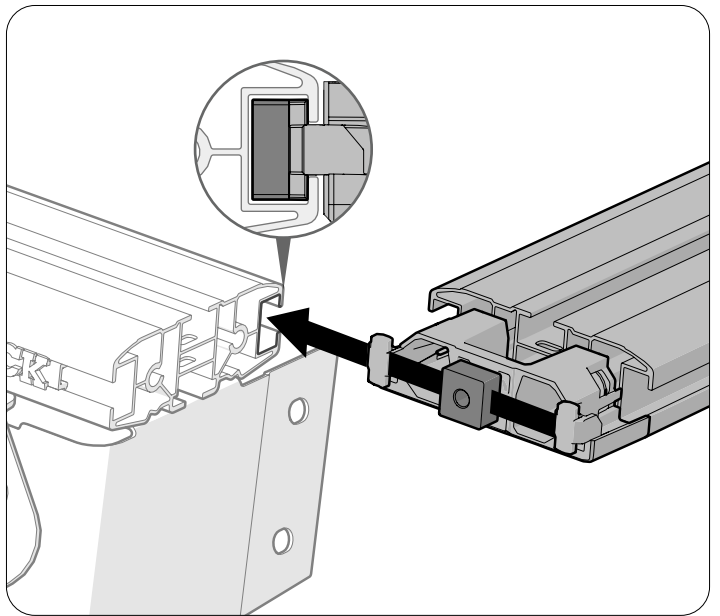
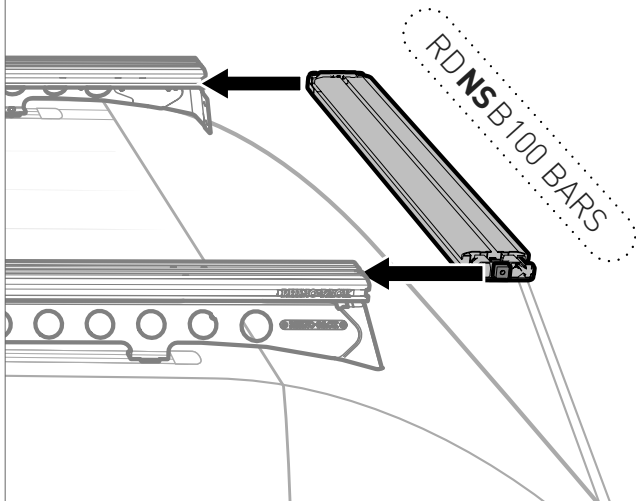
RDNSB100 BARS x1



34

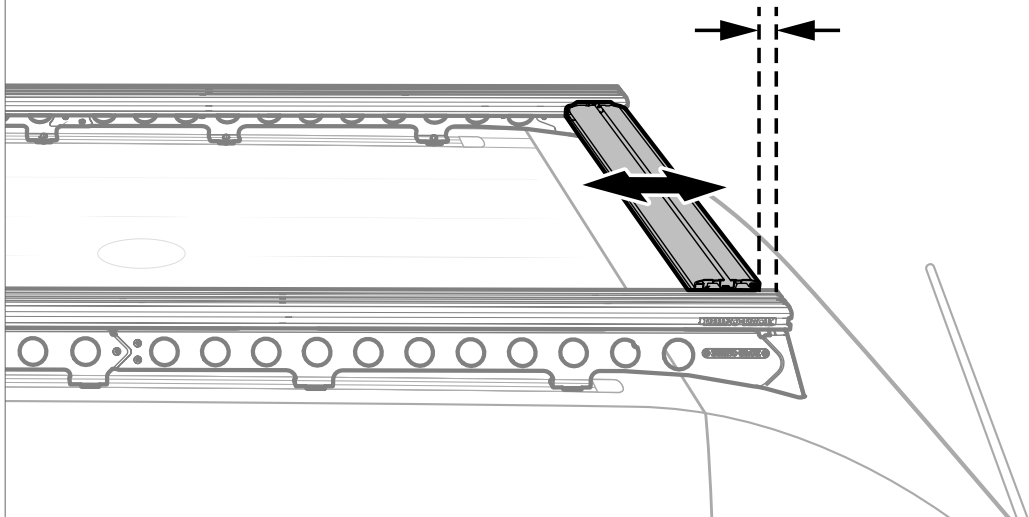
Use RDNSB100 bar from Step 33 for the FRONT

33

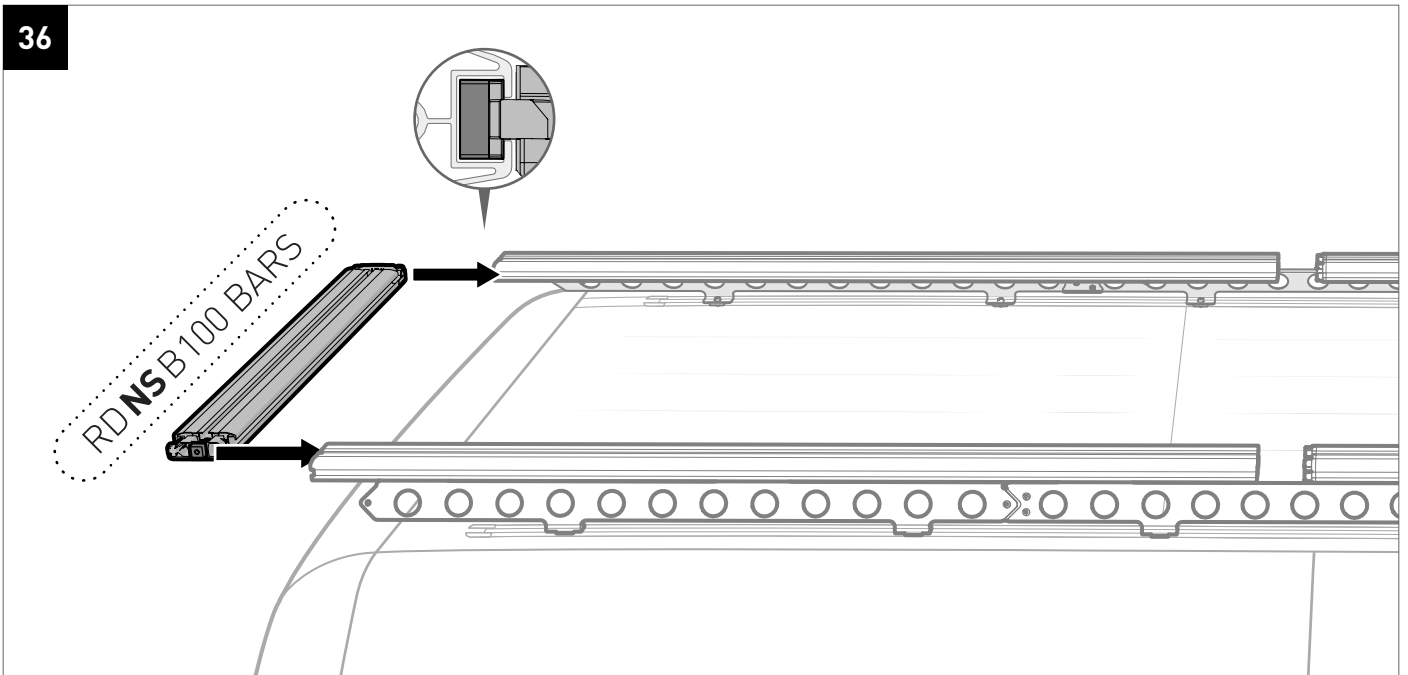


35

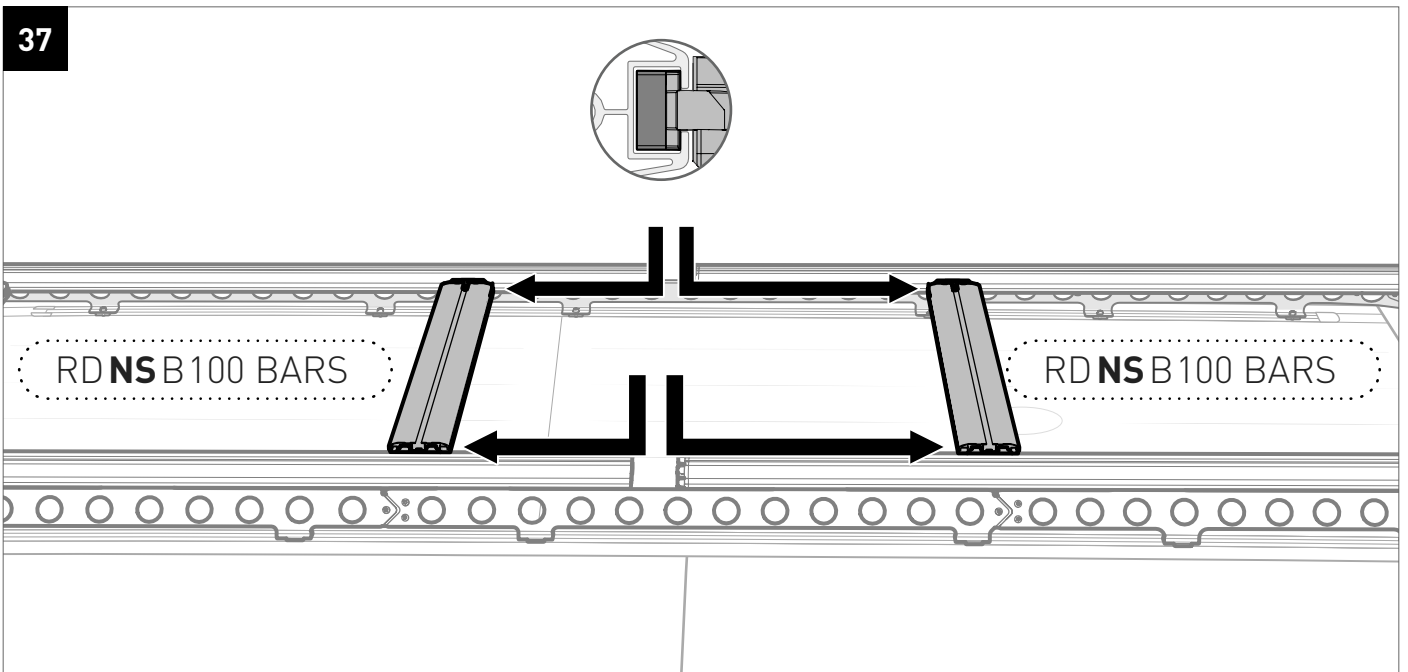
20mm
13/16 in



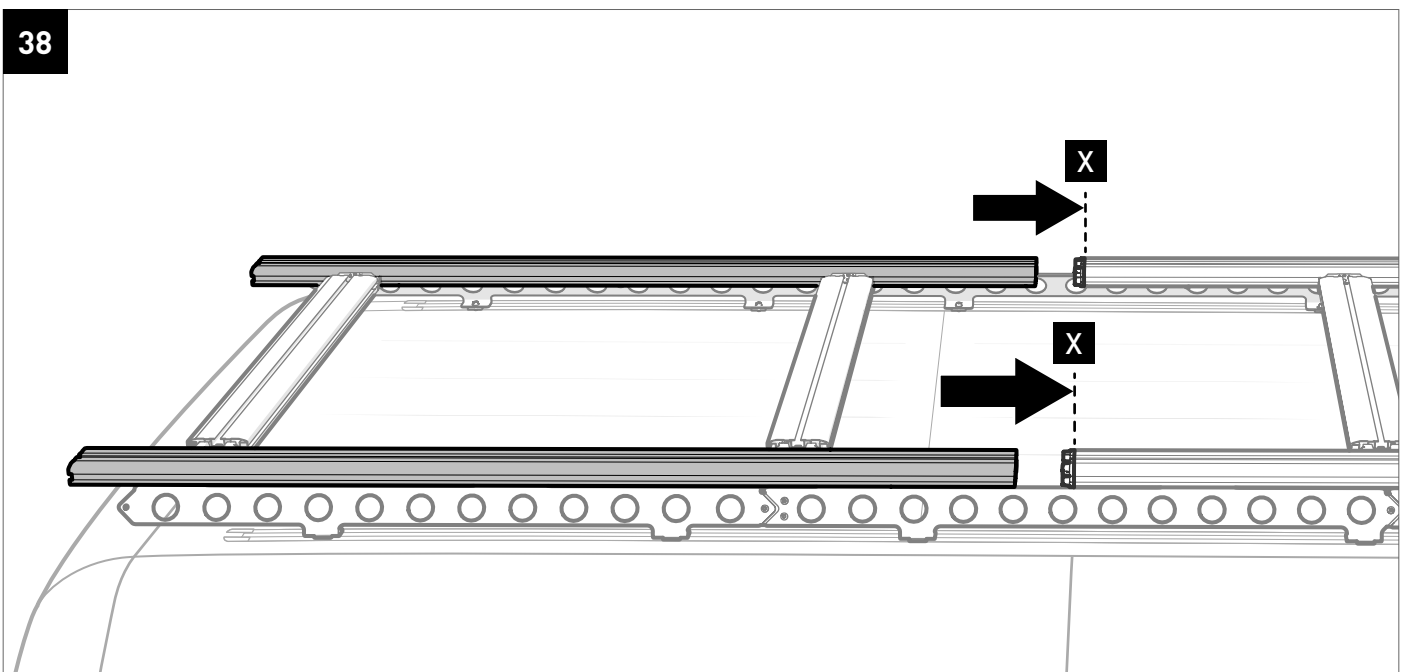
36



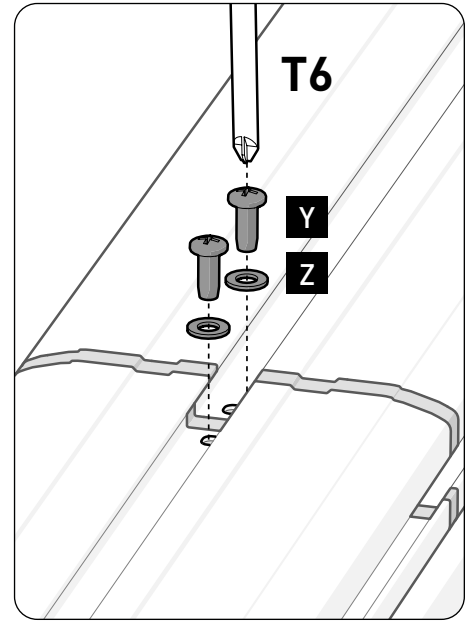
37



38

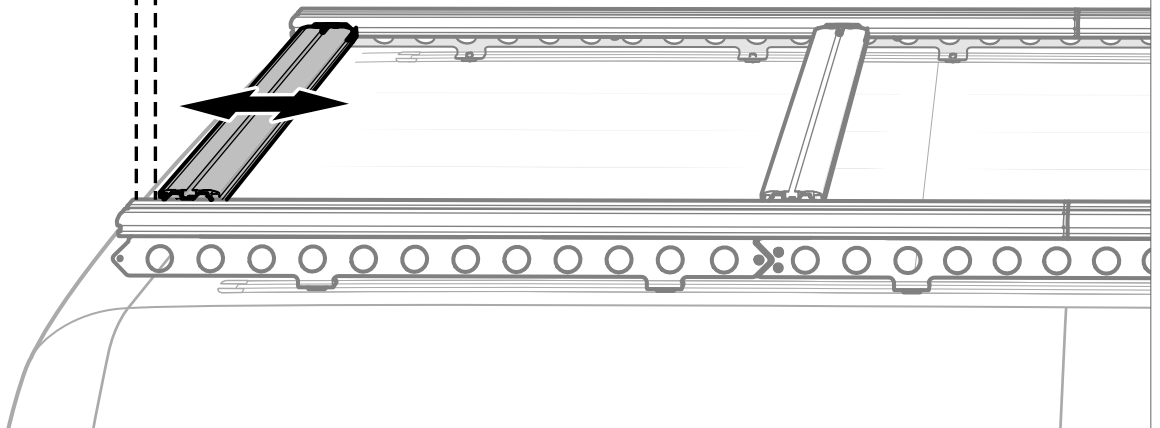
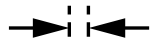


39 Add remaining plastite screws to all connections.



40

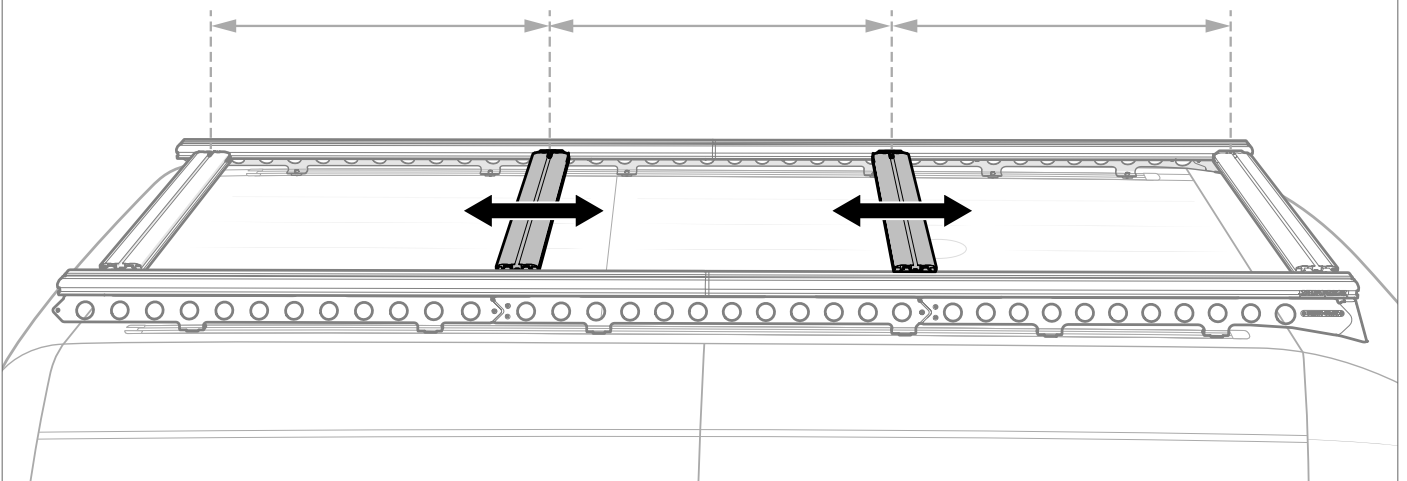
20mm
13/16 in



39 Position middle RDNSB100 Bars to preference.

NOTE: clear any roof obstacles such as A/C units, roof hatches antennas etc.

Even spacing is recommended

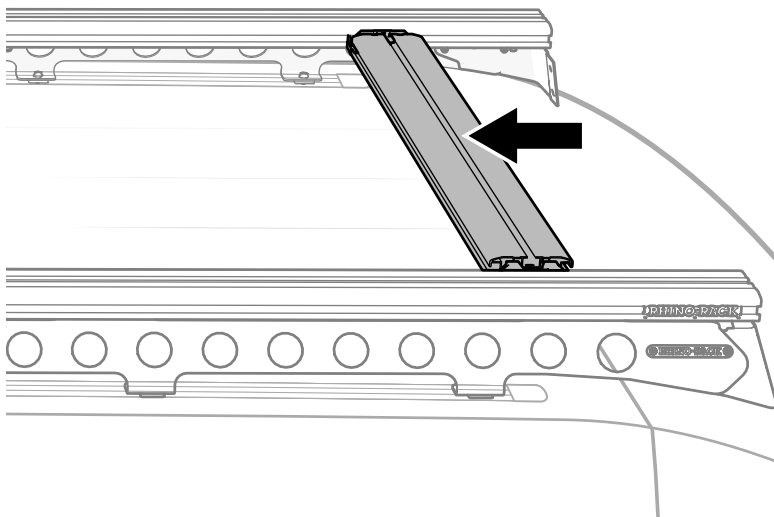


41

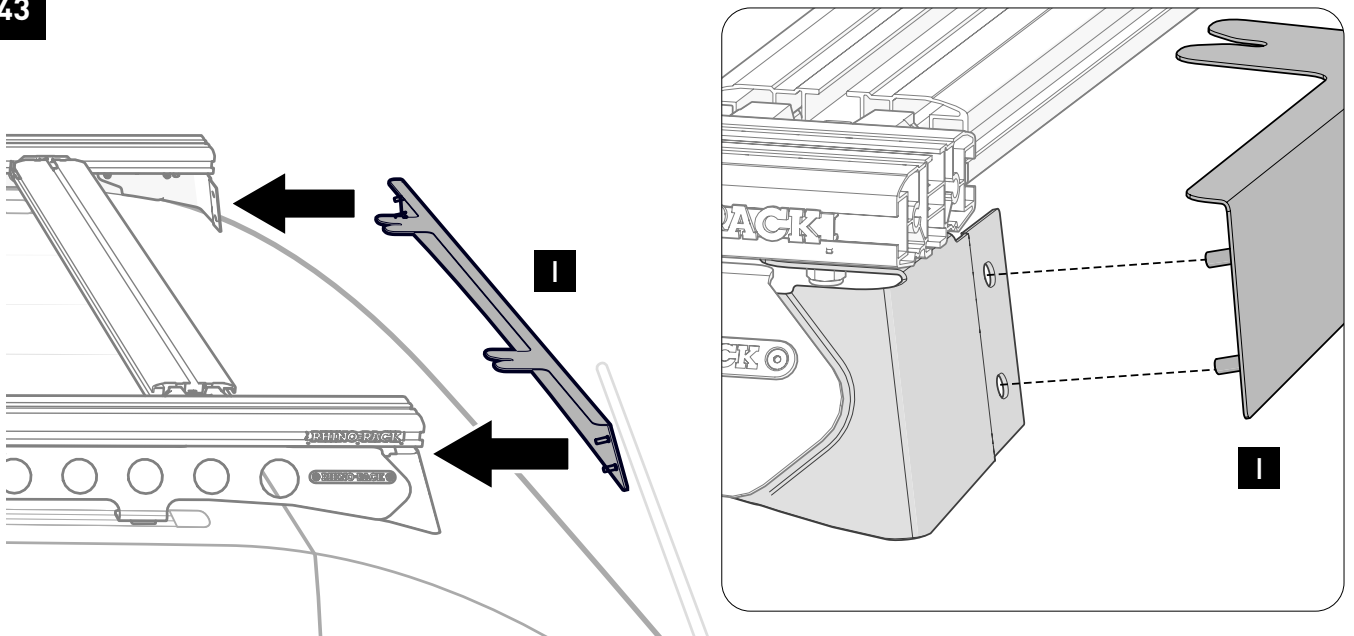
FRONT VIEW



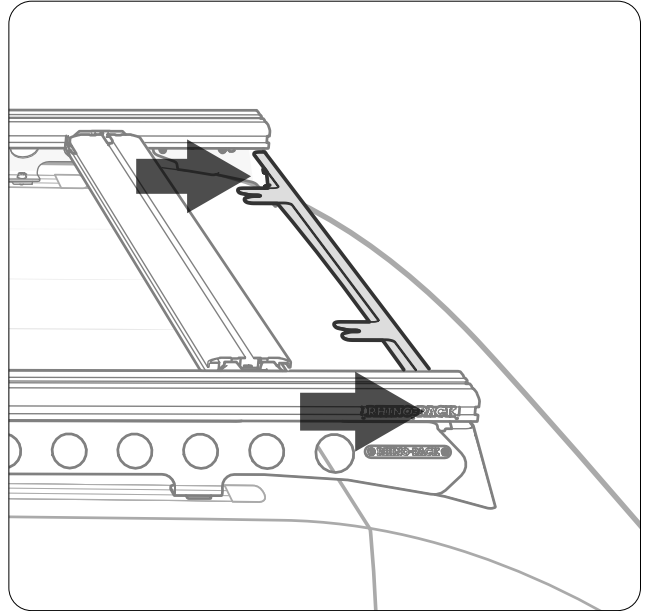
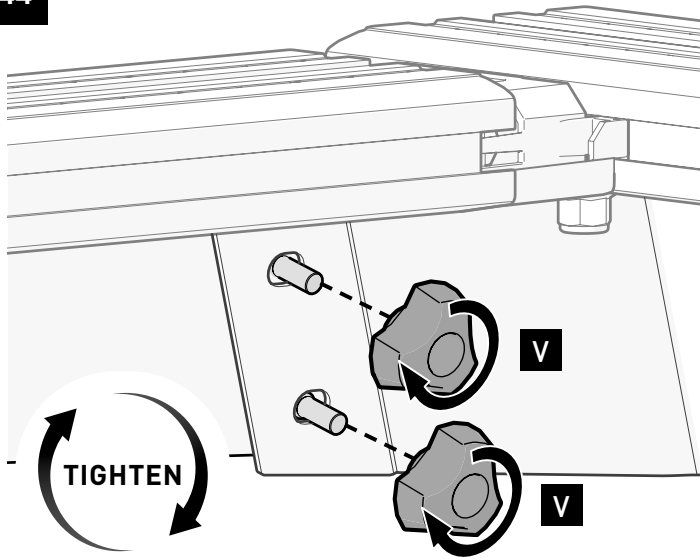
42



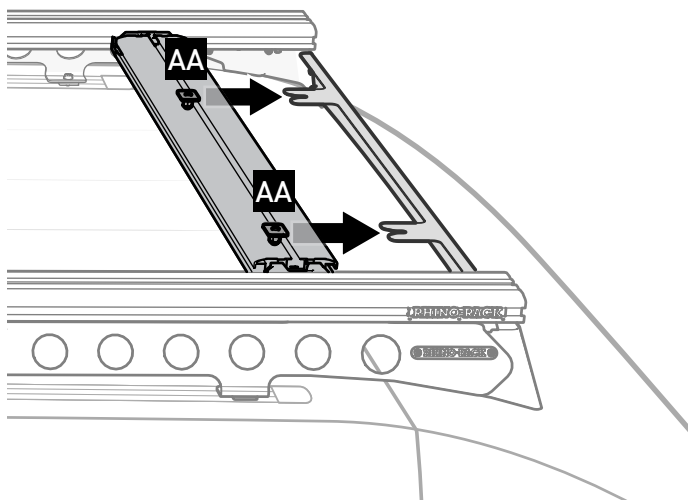
43



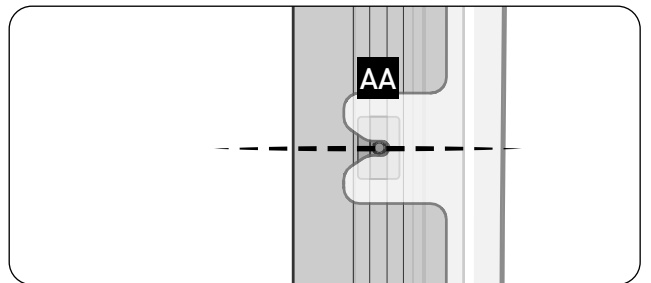
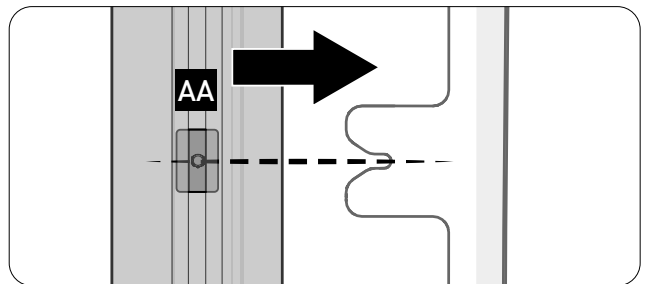
44



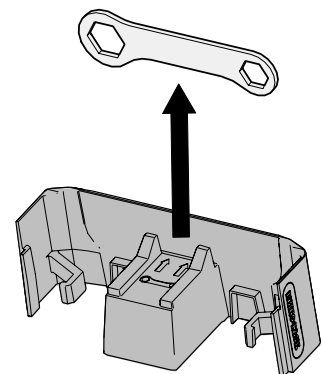
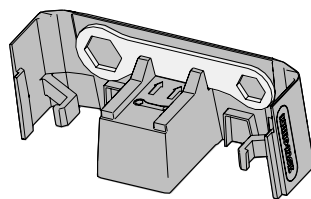
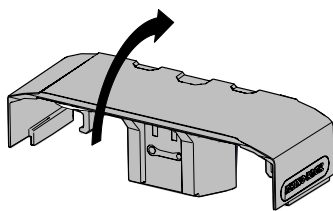
45



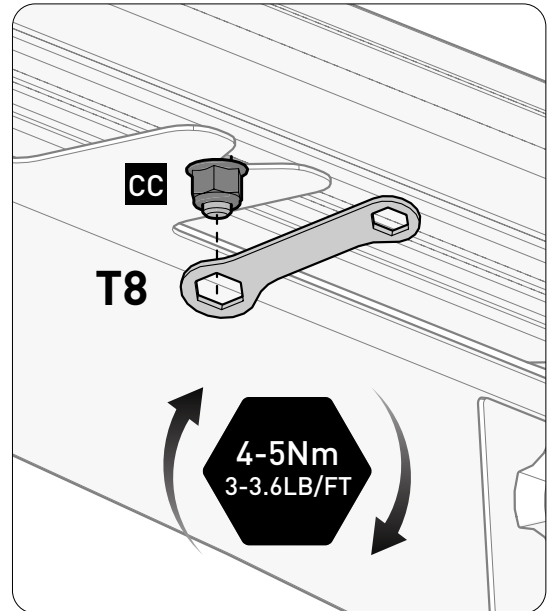
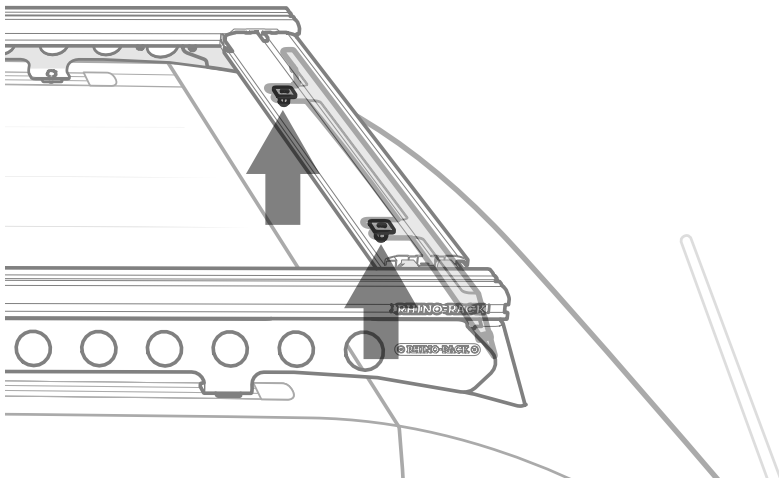
BOTTOM VIEW



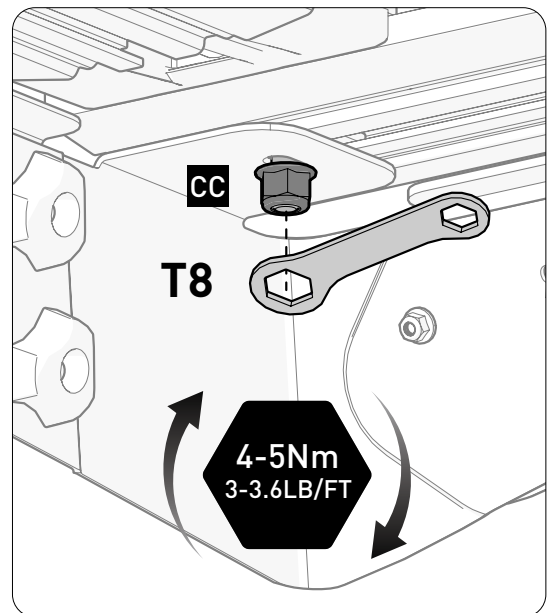
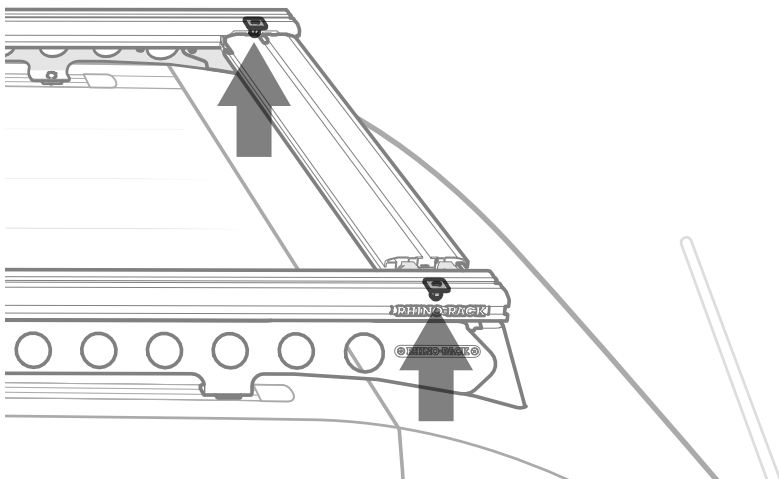
46



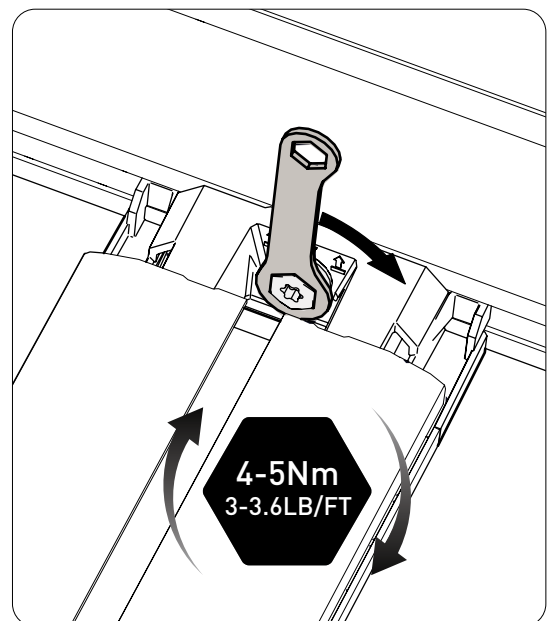
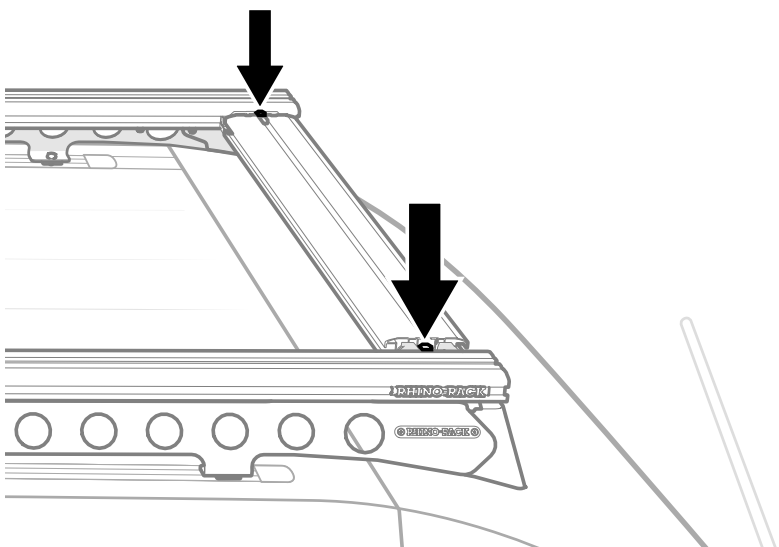
47



48



49

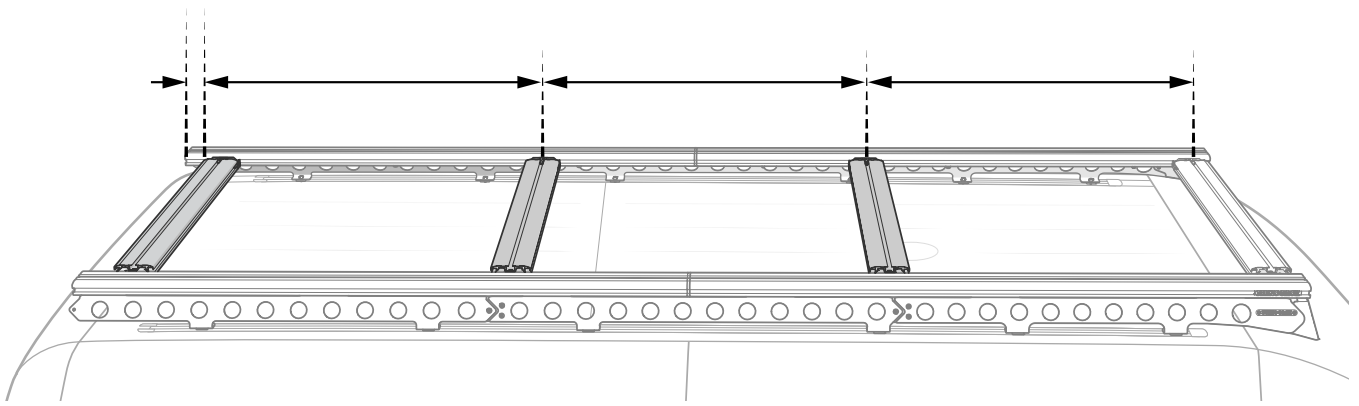
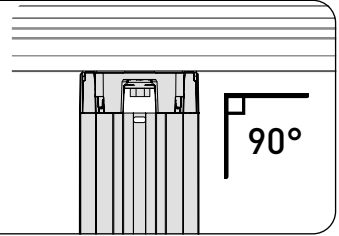


50 Check alignment of RDNSB100 bars

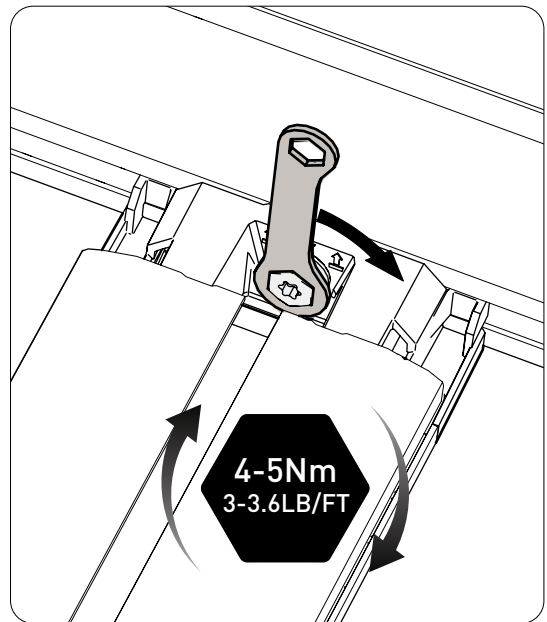
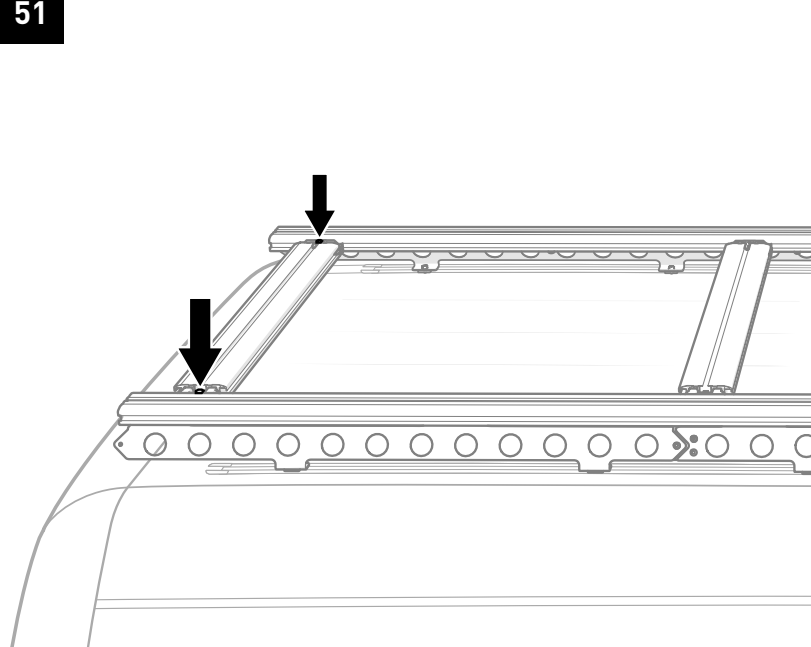
20mm
13/16 in



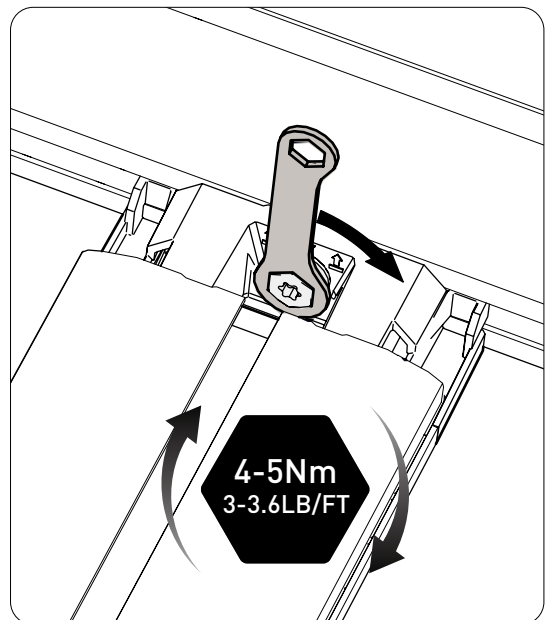
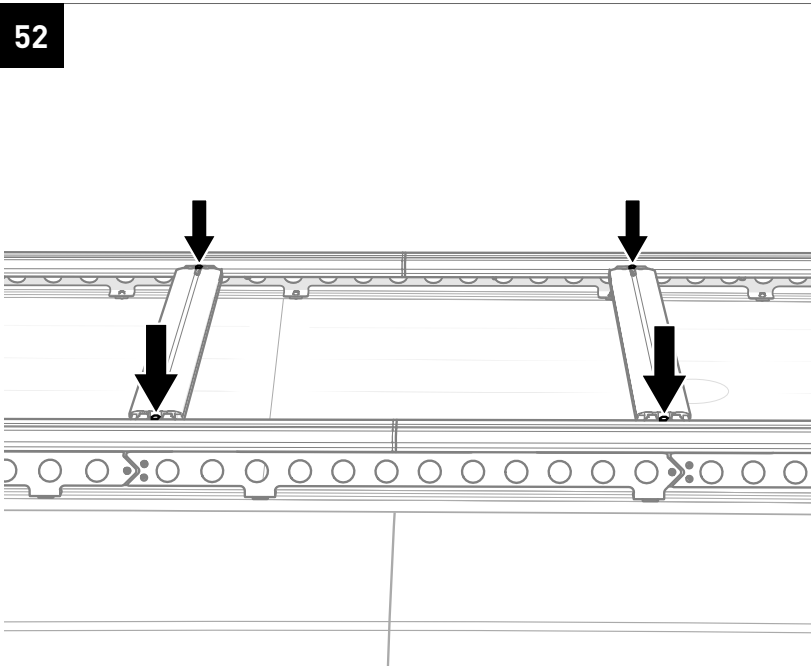
Ensure all RDNSB100 bar connections are 90 degrees to all RDB165 bars.



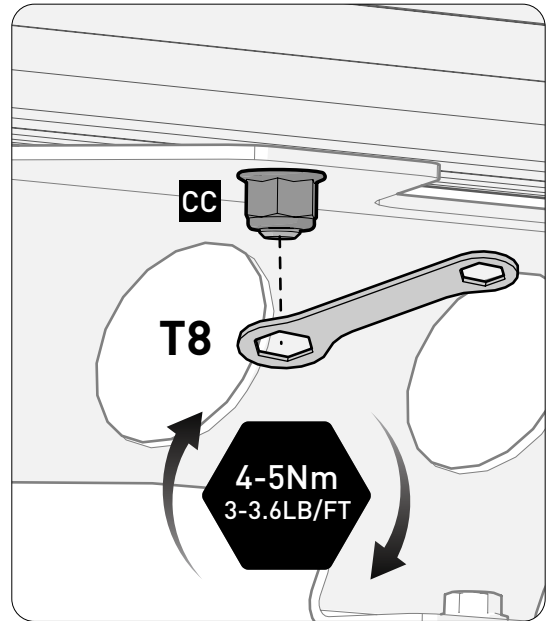
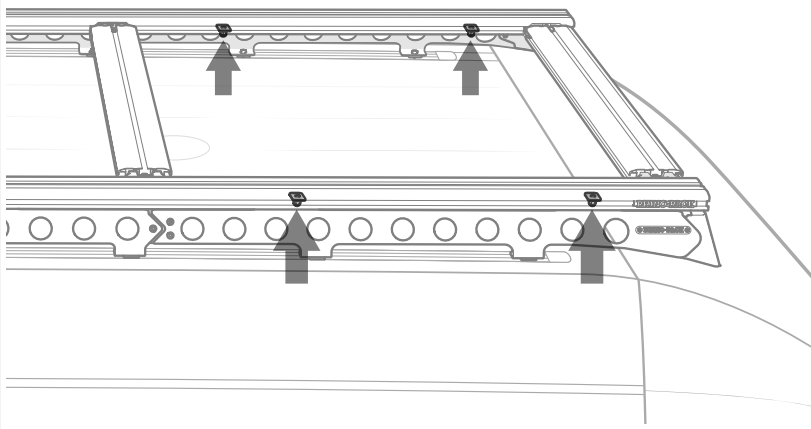
51



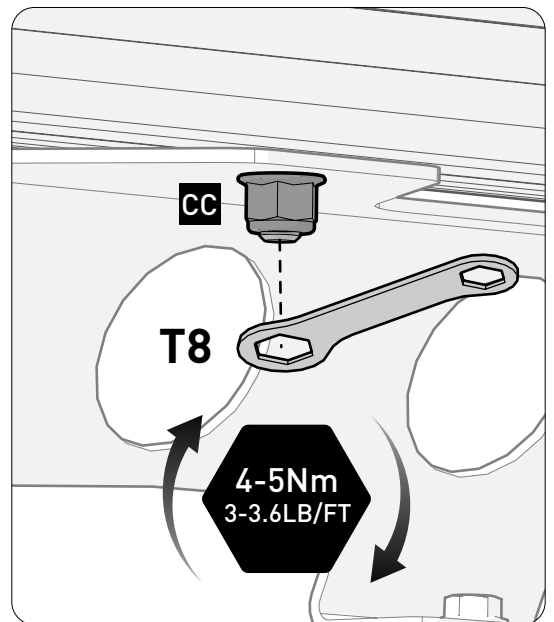
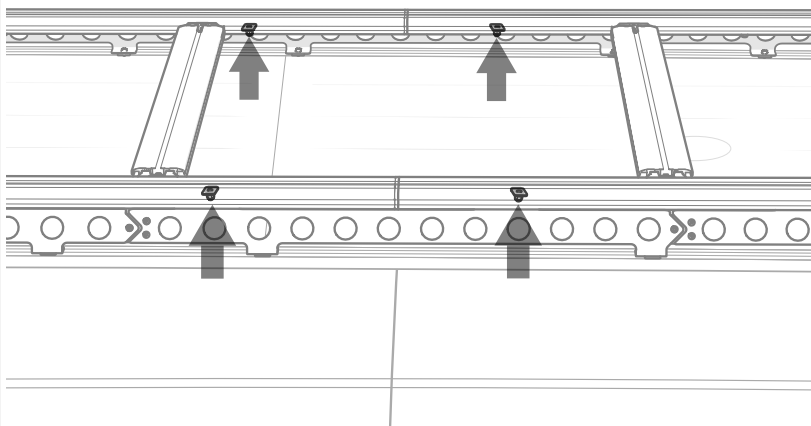
52



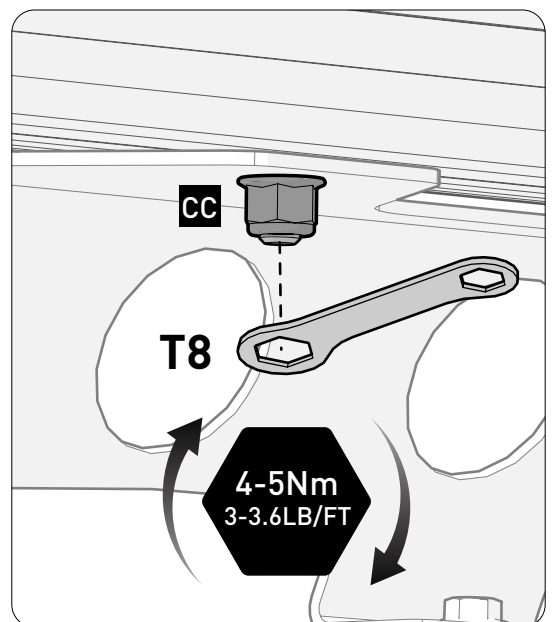
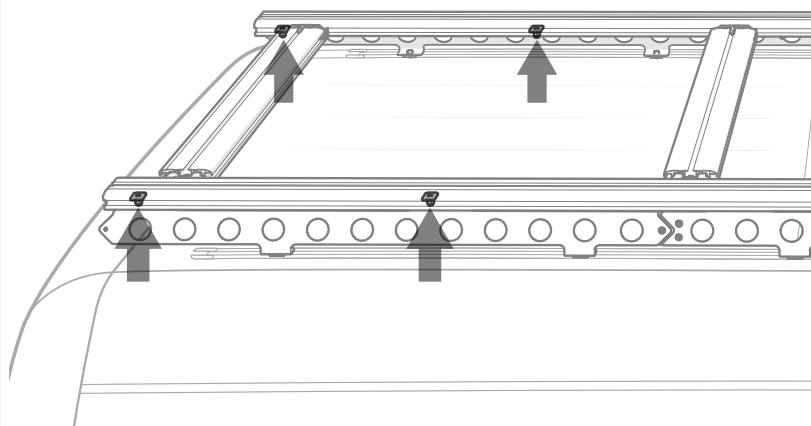
53



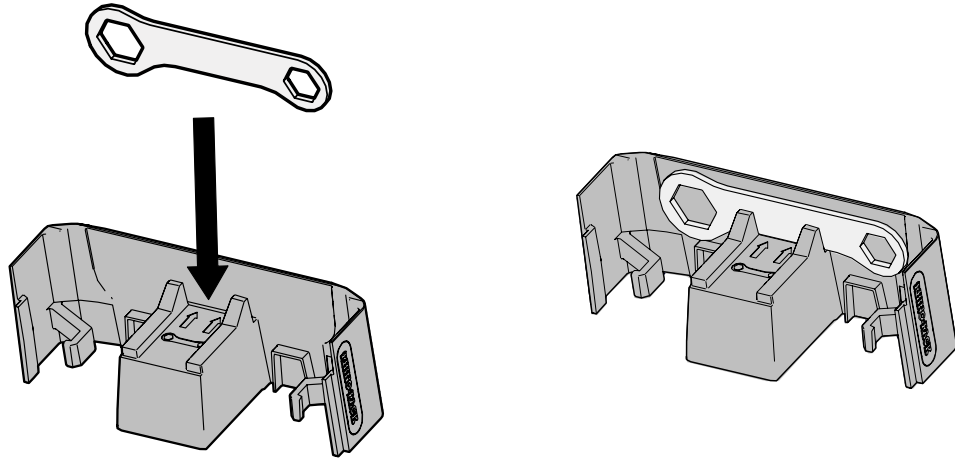
54



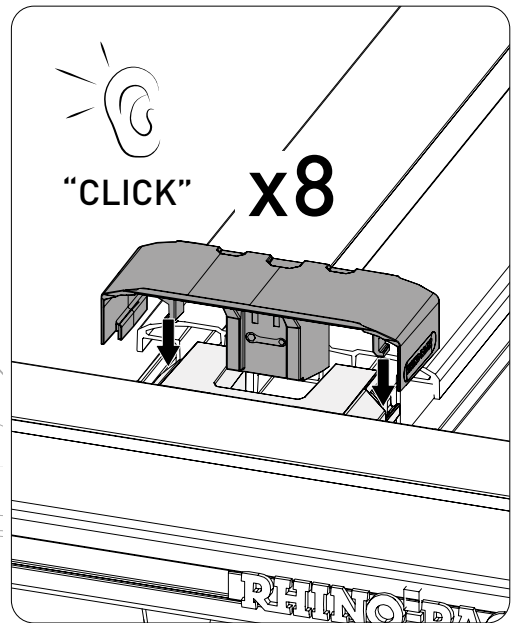
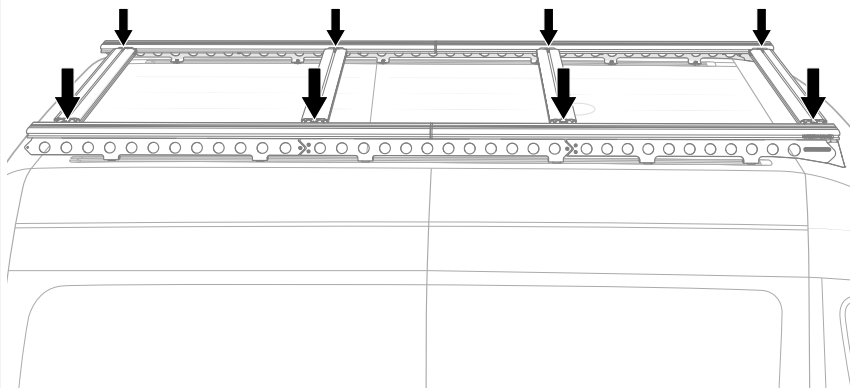
55



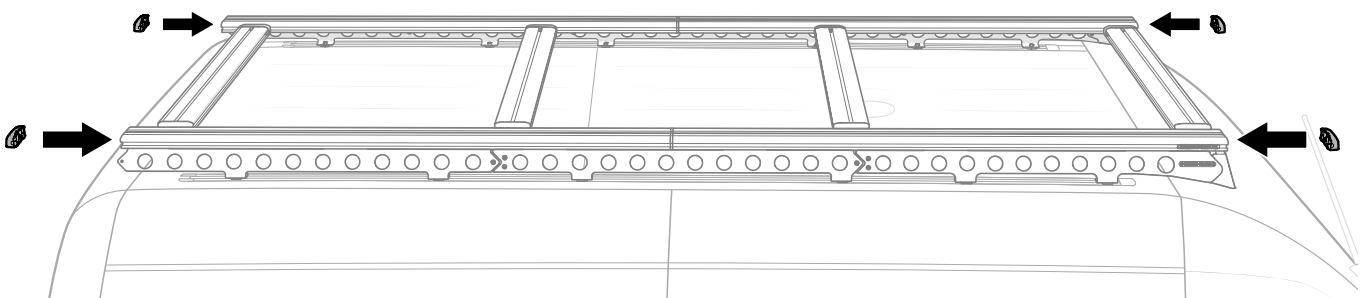
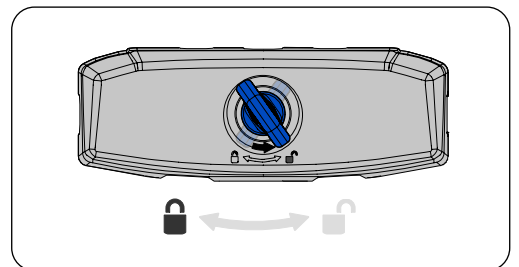
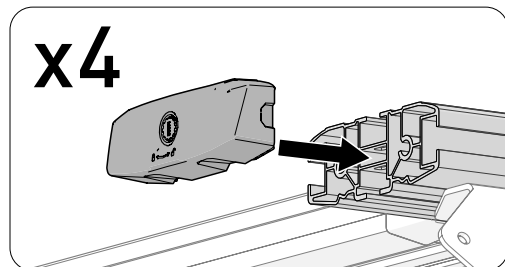
56



57



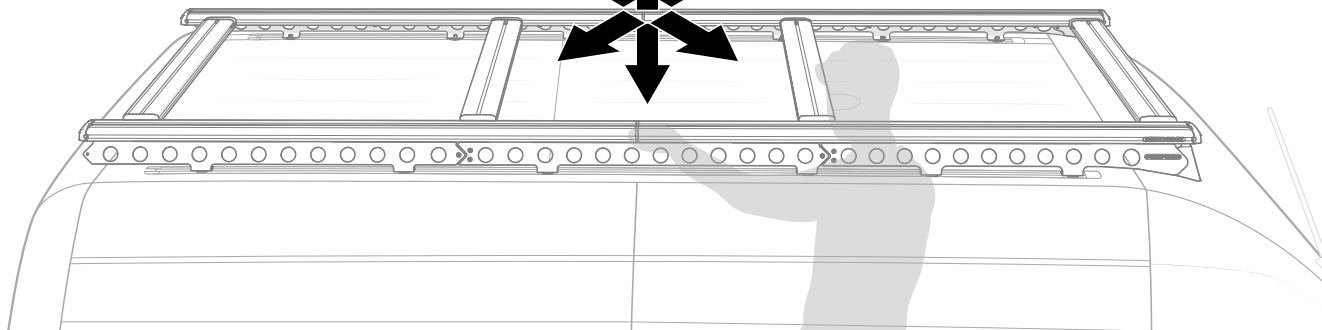
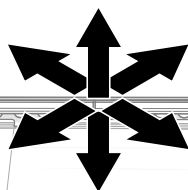
58



59

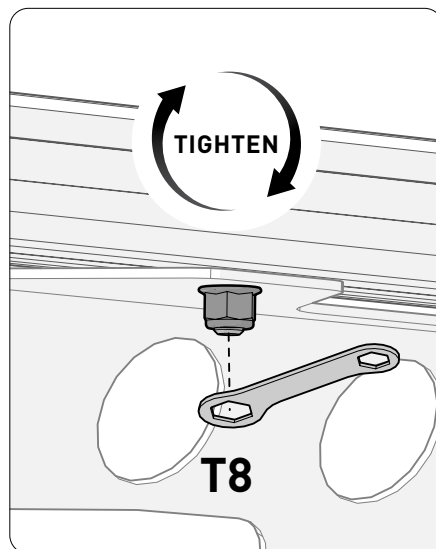
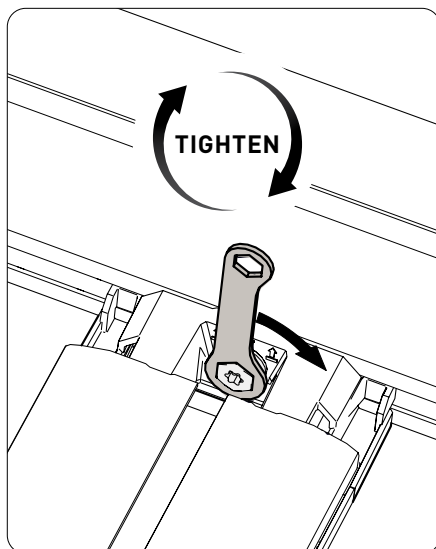
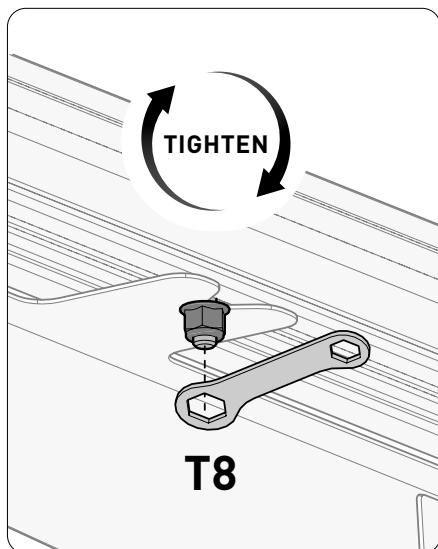


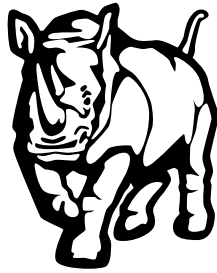
Check fitment is secure



MAINTENANCE

Periodically check, and if required, re-tighten all connection points.





RHINO-RACK®

MAKE SPACE FOR ADVENTURE

RHINORACK.COM

Rhino-Rack AUSTRALIA

22A Hanson Pl,
Eastern Creek, NSW, 2766

Rhino-Rack USA

19822 East 22nd Ave,
Aurora, CO, 80011