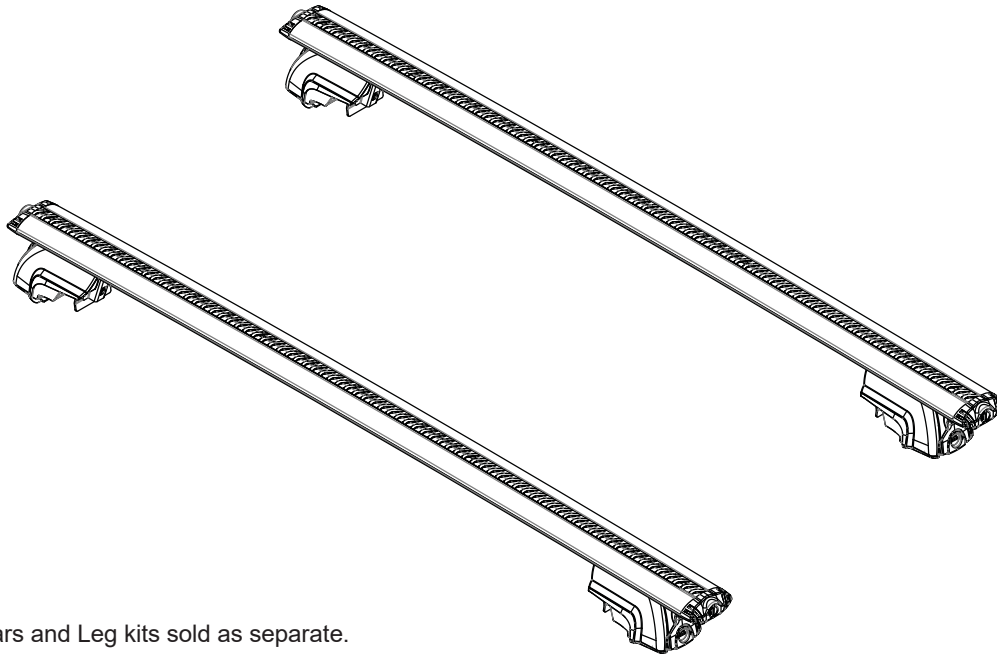




# RHINO-RACK

## SX059 Generic Fitment

**Important:** Please read these instructions carefully prior to installation. Please refer to your fitting instruction to ensure that the Roof Rack System is installed in the correct location. Check the contents of kit before commencing fitment and report any discrepancies. Place these instructions in the vehicle's glove box after installation is complete.



Note: Crossbars and Leg kits sold as separate.

**Maximum crossbar carrying capacity: 80kg (176lbs) evenly distributed over crossbars.**

1.  Check Part No./Kit is correct                      3.  Fit roof rack accessory  
2.  Read through instruction before installing      4.  Check and recheck all fasteners are secure

**Load Rating:** It is essential that the roof load rating specified in the vehicle owners handbook is not exceeded. Although crossbar maximum load is 80kg (176lbs), the vehicle roof load rating may be less. Always use the lower of the two figures.

It is essential that all bolt connections be checked after 48hrs from when you first install your crossbars. Bolt connections should be checked again at regular intervals (once a week is enough, depending on road conditions, usage, loads and distances travelled). You should also check the crossbars each time they are refitted. Make sure to fasten your load securely (see page 2 for advisory diagrams). Please ensure that all loads are evenly distributed and that the centre of gravity is kept as low as possible. **Use only non-stretch fastening ropes or straps.**

### Off Road Load Ratings

When these roof racks are to be used on a vehicle that is driven off sealed roads, the maximum roof load rating should be divided by a safety factor of 1.5. For example  $80/1.5 = 53\text{kg}$ .

### Caution:

- The handling characteristics of the vehicle changes when you transport a load on the roof. For safety reasons we recommend you exercise extreme care when transporting wind-resistant loads. Special consideration must be taken into account when cornering and braking. **Please remove crossbars when putting vehicle through an automatic car wash.**
- In heavy winds and high vehicle speeds, increased wind noise may be experienced within the cabin. Roof racks are designed to be quickly and easily removed should the noise level become annoying.
- When fitting to vehicle with moonroof, the roof bars have approximately 10mm clearance. After loading up your roof bars always check the moonroof has clearance during operation. If not, remove crossbars.

**Note for Dealers and Fitters:** It is your responsibility to ensure instructions are given to the end user or client.

3 Pike Street, Rydalmere,  
NSW 2116, Australia.  
(Ph) (02) 9638 4744  
(Fax) (02) 9638 4822

Document No: R1251  
Prepared By: Kayle Everett  
Authorised By: Chris Murty

Fit Time: 25min  
Issue No: 01  
Issue Date: 03/02/2017

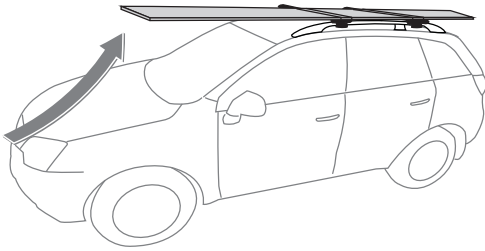
These instructions remain the property of Rhino-Rack Australia Pty. Ltd. and may not be used or changed for any other purpose than intended.



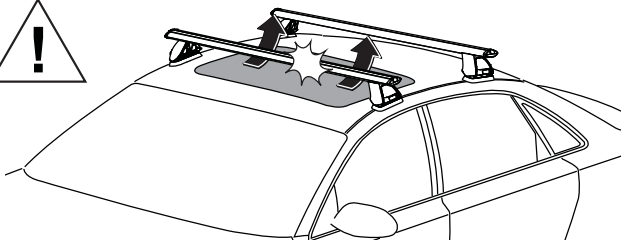
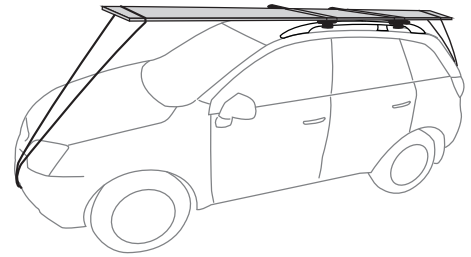
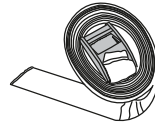
# SX059 Generic Fitment



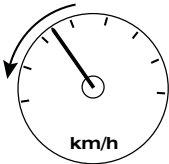
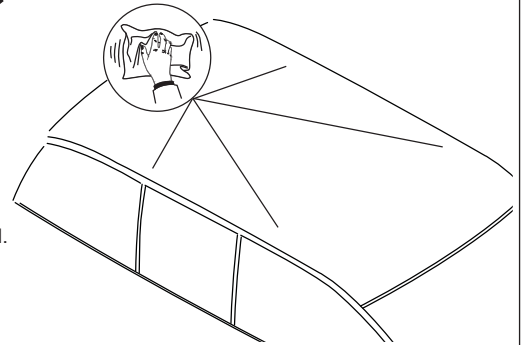
Be careful of strong winds.



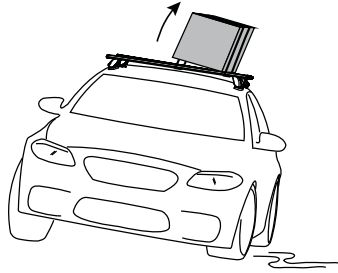
Secure long loads.



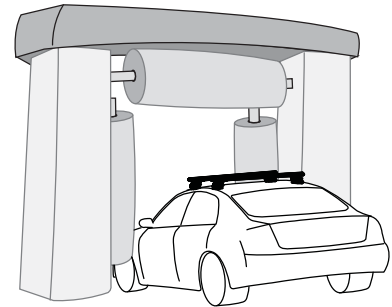
Wash Car by hand.



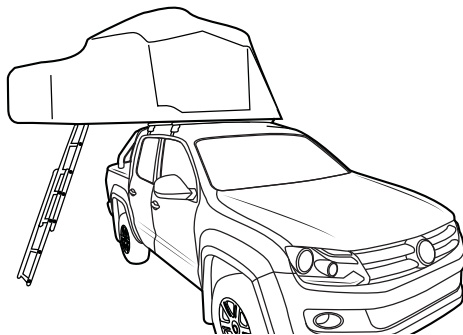
Reduce speeds.



Do not use car wash with racks installed.



**Not suitable for Roof Top Tents**

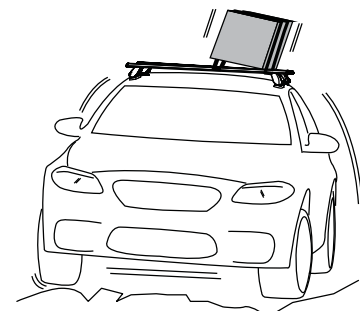
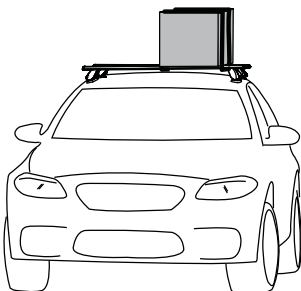


## Warning! Important Load Carrying Instructions 80kg (176lbs) evenly distributed over crossbars. Be sure to check vehicle owners handbook for maximum roof carrying capacity of your vehicle.

When these roof racks are to be used on a vehicle that is driven off sealed roads, the maximum roof load rating (80kg / 176lbs) should be **divided by 1.5**. Do not forget to subtract 5kg/11lbs from your maximum carrying capacity due to the weight of the crossbars and legs. Always check the vehicles maximum roof carrying capacity before loading crossbars.

**80kg load rating** (Urban road) = **53 kg load rating** (Urban / 1.5)

**176lbs load rating** (Urban road) = **117lbs load rating** (Urban / 1.5)



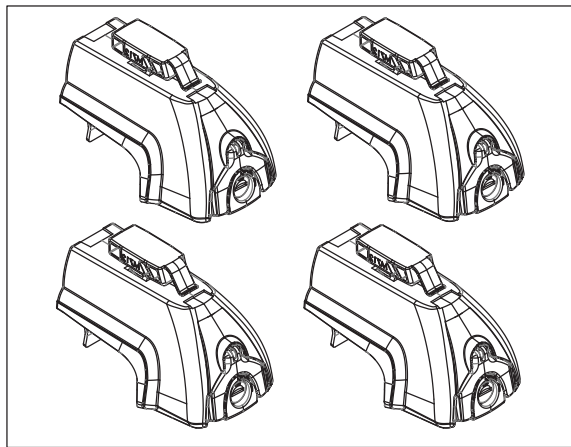


# SX059 Generic Fitment

## Parts Required



Crossbars  
(VA126S, VA126B Sold as separate)



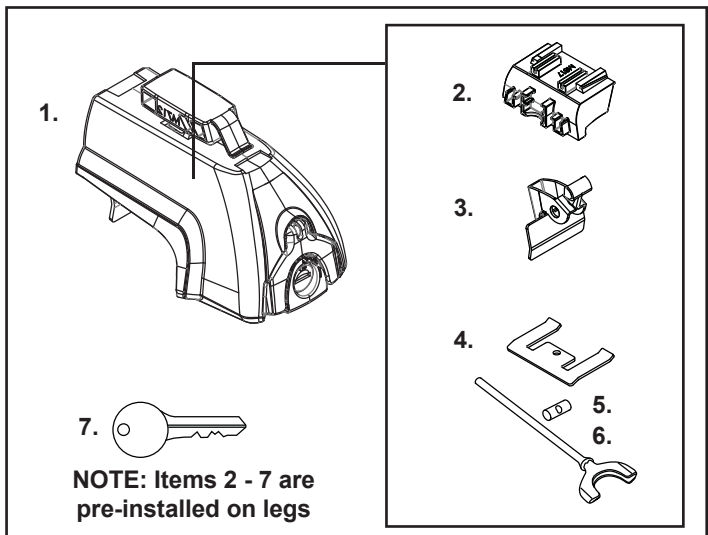
Leg Kit

## Parts List

Item	Component Name	Qty	Part No.
1	Leg Unit	4	M712
2	Rubber Insert	4	M817
3	Clamp Assembly	4	CA1557
4	Outer Clamp	4	CA1507
5	Dowel Nut	4	-
6	Adjustment Rod	4	SP222
7	Metal Key	2	CA1344
8	Instructions	1	R747

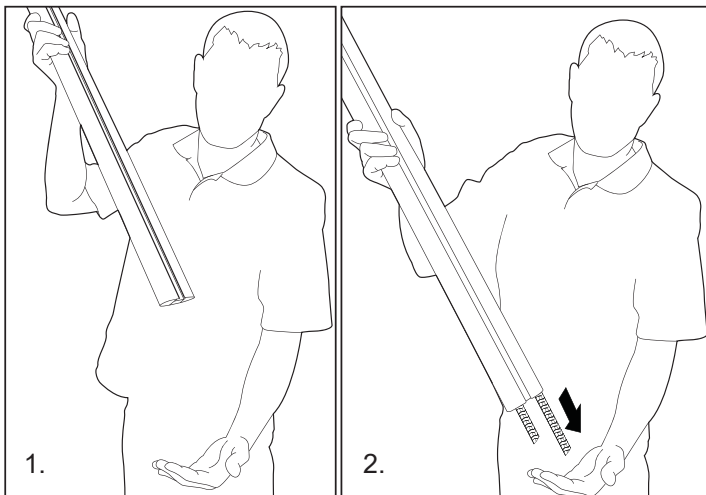
### Tools Required:

Tape measure.  
Scissors.  
Knife.

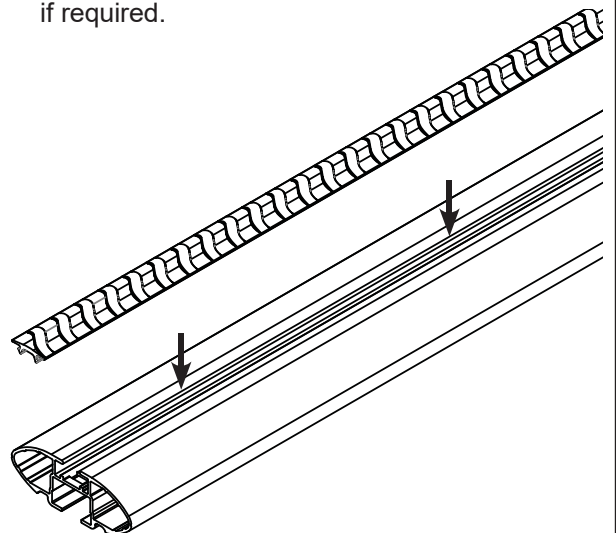


## Instructions

- 1** Open the Crossbar box and remove the contents. Shake the crossbar up and down to remove measurement strips and rubber buffer strips. Crossbars sold separate.



- 2** Install the Rubber Buffer Strips. Cut to size if required.

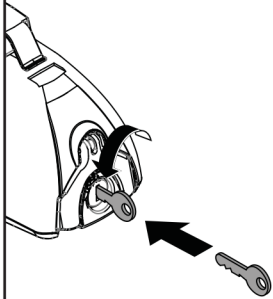




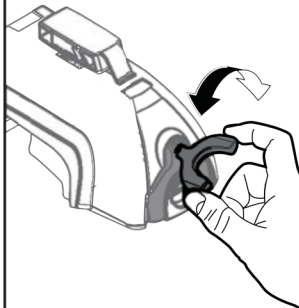
# SX059 Generic Fitment

## 3 Prepare the Legs for installation into the crossbars.

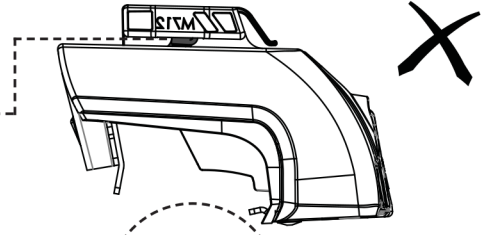
Unlock the unit as shown.



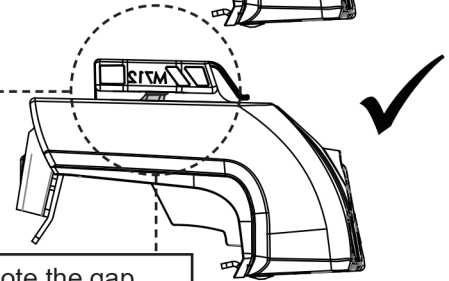
Tighten or loosen the Clamp as required to create a visible gap.



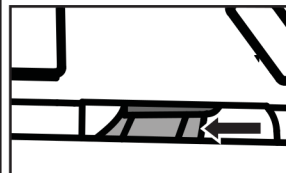
The Clamp is blocking access from the crossbar here



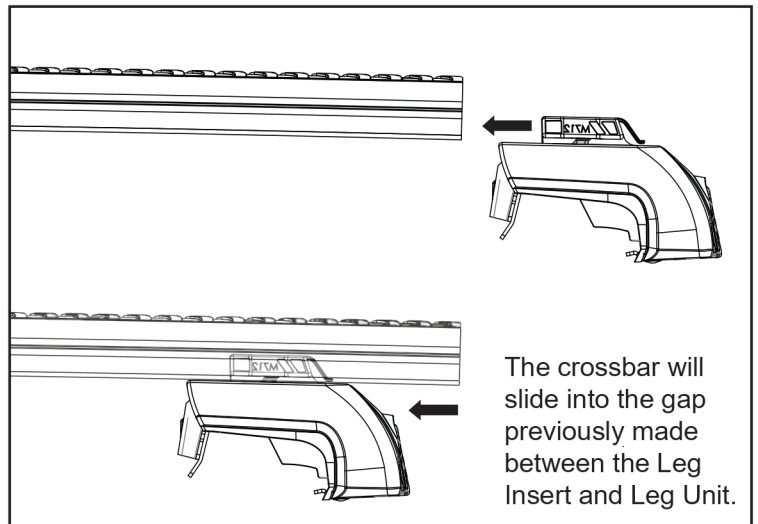
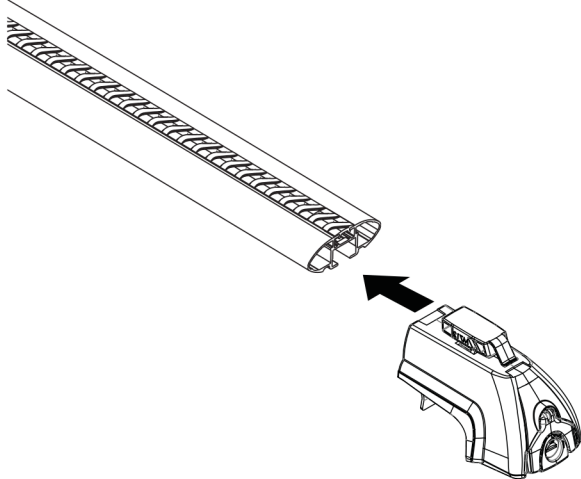
Make sure Metal Clamp Upper is pushed up into housing before inserting into Crossbar.



Note the gap. Crossbars will slide through here later.

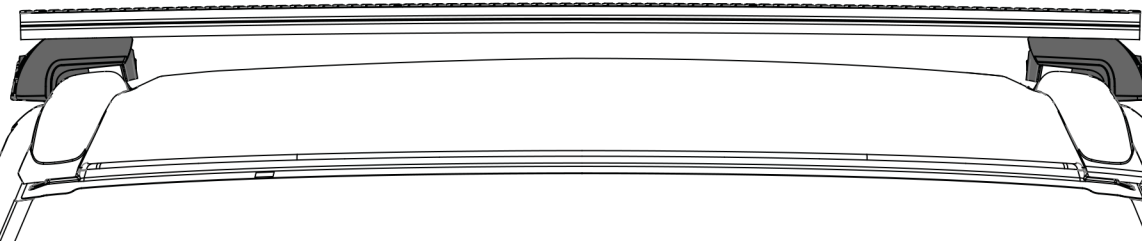


## 4 Slide the Leg Insert into the crossbar as shown. Complete for all four Legs.



The crossbar will slide into the gap previously made between the Leg Insert and Leg Unit.

## 5a Place the front and rear crossbars onto the vehicle. (Refer to step 5b for crossbar locations).

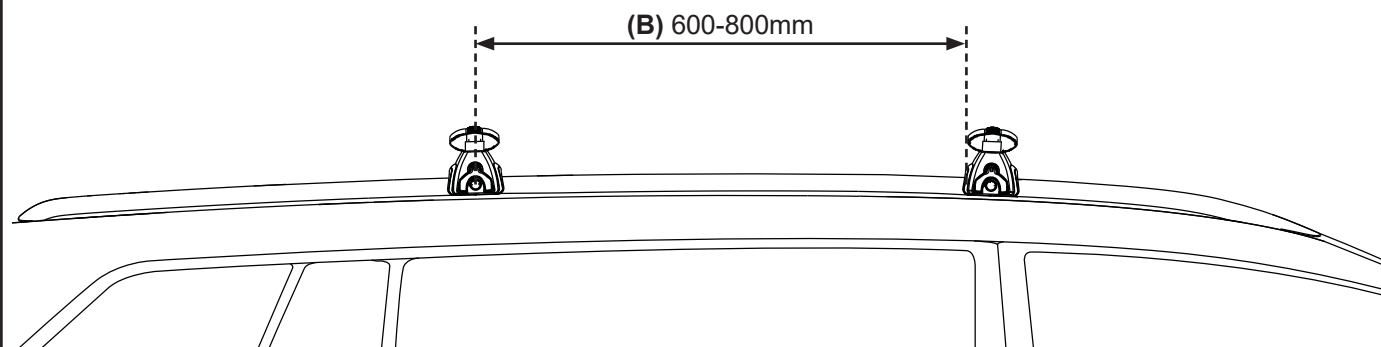


Front View

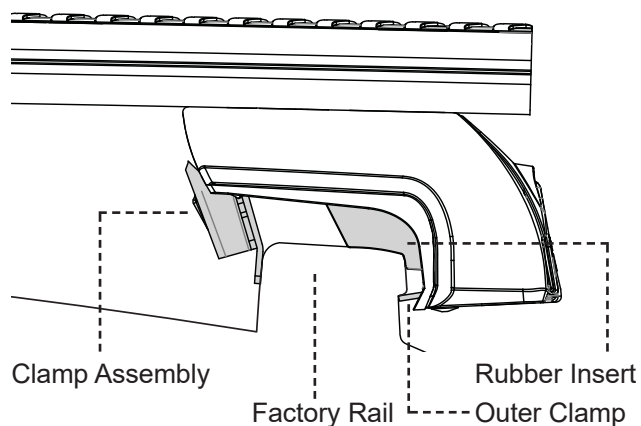


## SX059 Generic Fitment

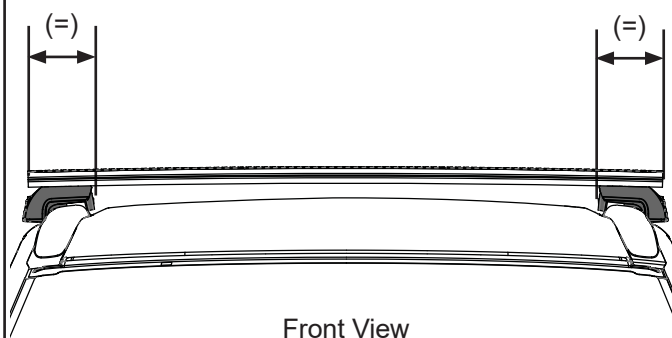
- 5b** Place the crossbars onto the vehicle at approximately 600-800mm apart. Check [www.rhino-rack.com.au/fit-my-car](http://www.rhino-rack.com.au/fit-my-car) if vehicle specific fit sheet is available for your vehicle.



- 5c** Be sure the Leg is sitting snug with the factory rail as shown. The Clamp must be in contact with the rail completely along its surface. The Outer Clamp must be gripping on the underside of the rail and the Clamp Assembly should be gripping the rear of the rail as shown.

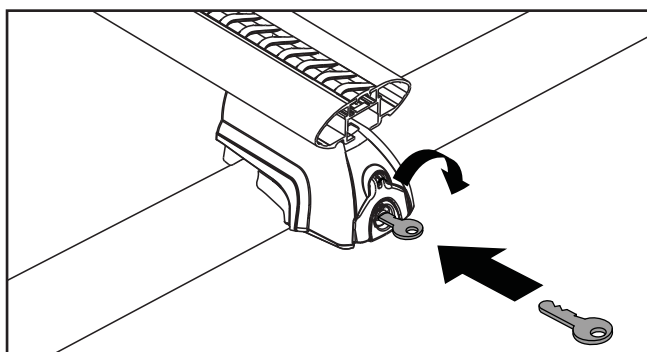
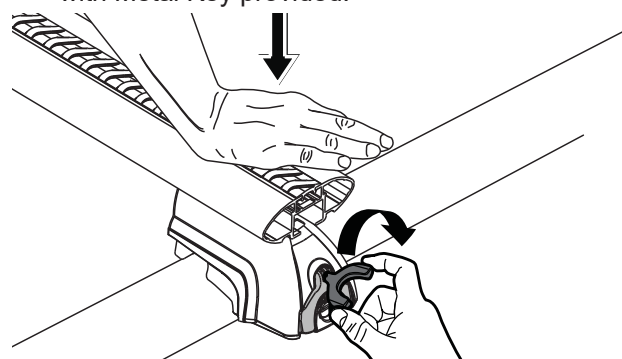


- 6** Measure from the end of the crossbar to the rear of the Leg on both sides. Adjust so both measurements are even.

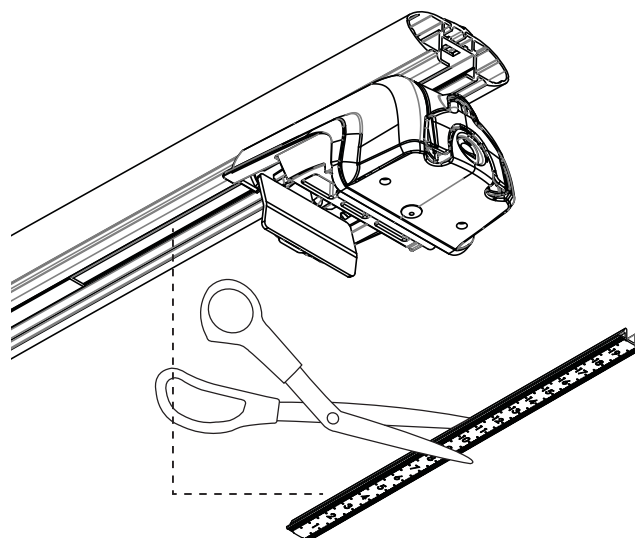


Front View

- 7** Tighten the Legs to 5Nm in place. Lock the Leg with Metal Key provided.



- 8** Measure the gap on the underside of the Crossbars. Accurately cut the underbar strips to match.

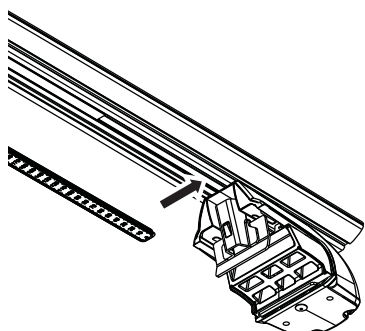




## SX059 Generic Fitment

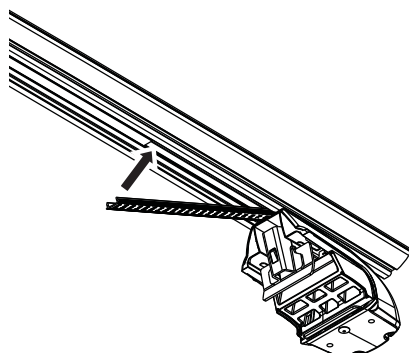
- 9** With the Underbar Strips cut to the required lengths, install them into the Crossbars. 1: Slide one end into the place behind the Leg. 2: Push the Underbar Strip up and into place along its length. 3: Be sure Strip is secure.
- Note: The Underbar Strips will ensure the Crossbars do not create a 'whistling' noise at speed.**

1:

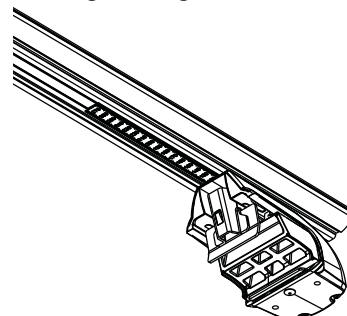


Slide one end of the Underbar strip in behind the Leg as shown.

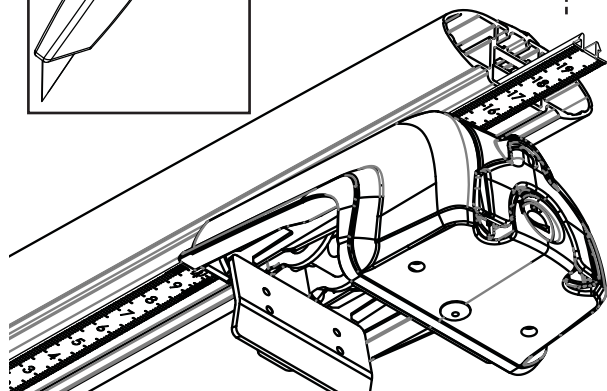
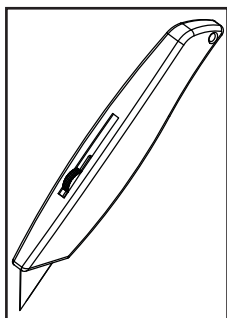
2:



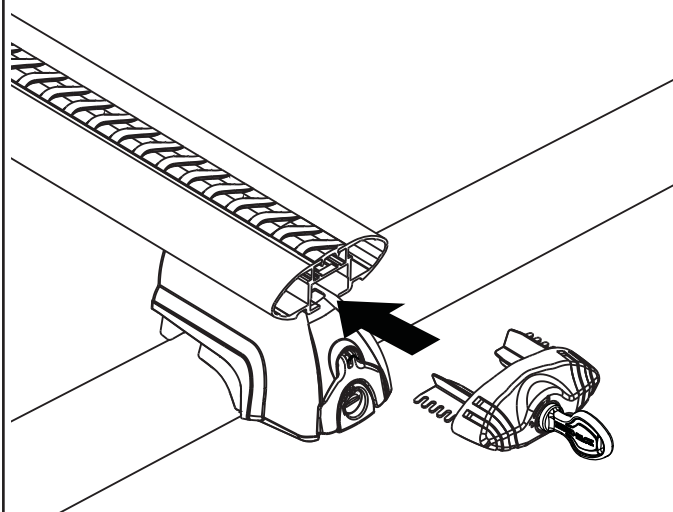
3: Be sure the strip is fully located along its length.



- 10** Now slide in remaining underbar strip into the outer slot and trim off flush using a knife.



- 11** Insert end caps. Lock and remove key.



- 12** Be sure all fittings are secure before use.

