



# FITTING INSTRUCTIONS

## CLASSIC CANOPY ROOF BAR MOUNT KIT CANOPIES

### PRODUCTS No.:

4100300/0310/0320/0330/0340/0350/0360/0370/0380/0390/0395/0540/4070/4080 /8080/8090/0480/0485 & 4171010

### IMPORTANT:

PLEASE READ THE FOLLOWING INSTRUCTIONS AND FOLLOW THE NOTES IN EACH SECTION, AS THEY REFER TO IMPORTANT INFORMATION, WHICH COULD AFFECT THE QUALITY OF THE FINAL INSTALLATION.

### TOOLS/MATERIALS REQUIRED:

Basic tool kit

Silicone – clear, neutral cure

### USER INSTRUCTIONS:

- Loads should be evenly distributed and adequately secured.
- Any weight carried on the roof of the vehicle will adversely affect it's handling, particularly in cornering and cross winds. The vehicle should therefore be driven with increased discretion.
- Regularly check the tightness of the securing clamps and the security of the load.
- Ensure that the statutory requirements for maximum permissible projections are not exceeded.
- Maximum load capacity of 50kg per bar.

### THE FITTING KIT CONTAINS:

MOUNT BRACKET SETS KIT NUMBER	PART No	QTY	DESCRIPTION- ROOF BAR CARRIER BRACKETS
4100300	3751745	2	CARRIER BRACKET 40mm
	3751850	2	CARRIER BRACKET 55mm
OR			
4100310	3751745	2	CARRIER BRACKET 40mm
	3756708	2	CARRIER BRACKET 65mm
OR			
4100320	3759609R	1	CARRIER BRACKET Angled 50mm RH
	3759609L	1	CARRIER BRACKET Angled 50mm LH
	3758102R	1	CARRIER BRACKET Angled 90mm RH
	3758102L	1	CARRIER BRACKET Angled 90mm LH
OR			
4100330	3751745	2	CARRIER BRACKET 40mm
	3756710R	1	CARRIER BRACKET HILUX 05 HR
	3756710L	1	CARRIER BRACKET HILUX 05 HR
OR			
4100340	3751745	4	CARRIER BRACKET 40mm
OR			
4100350	3751745	2	CARRIER BRACKET 40mm
	3756740R	1	CARRIER BRACKET RODEO 03 HR
	3756740L	1	CARRIER BRACKET RODEO 03 HR

OR 4100360			
	3751745	2	CARRIER BRACKET 40mm
	3756987R	1	CARRIER BRACKET 160mm RH
	3756987L	1	CARRIER BRACKET 160mm LH
OR 4100370			
	3751745	2	CARRIER BRACKET 40mm
	3756985R	1	CARRIER BRACKET 90mm RH
OR 4100380			
	3751745	2	CARRIER BRACKET 40mm
	3756613R	1	CARRIER BRACKET CREWMAN RH
	3756613L	1	CARRIER BRACKET CREWMAN LH
OR 4100390			
	3751745	2	CARRIER BRACKET 40mm
	3758102R	1	CARRIER BRACKET Angled 90mm RH
	3758102L	1	CARRIER BRACKET Angled 90mm LH
OR 4100395			
	3751745	2	CARRIER BRACKET 40mm
	3759061	2	CARRIER BRACKET 85mm
OR 4100540			
	3759685R	1	CARRIER BRACKET Angled 40mm RH
	3759685L	1	CARRIER BRACKET Angled 40mm LH
	3759705R	1	CARRIER BRACKET Angled 90mm RH
	3759705L	1	CARRIER BRACKET Angled 90mm LH
OR 4114070			
	3759718R	1	CARRIER BRACKET Angled 62mm RH
	3759718L	1	CARRIER BRACKET Angled 62mm LH
	3759719R	1	CARRIER BRACKET Angled 82mm RH
	3759719L	1	CARRIER BRACKET Angled 82mm LH
OR 4114080			
	3759717R	1	CARRIER BRACKET Angled 90mm RH
	3759717L	1	CARRIER BRACKET Angled 90mm LH
	3759718R	1	CARRIER BRACKET Angled 62mm RH
	3759718L	1	CARRIER BRACKET Angled 62mm LH
OR 4148080			
	3750549	2	BRKT FRT BAR CHNL 90 (FRONT)
	3750551R	1	BRKT RR BAR CHNL 87.5 2.5 DEGREES (REAR RH)
	3750551L	1	BRKT RR BAR CHNL 87.5 2.5 DEGREES (REAR LH)
OR 4138090			
	3750371R	1	BRKT CARRIER CANOPY 90 ASY (FRT RH)
	3750371L	1	BRKT CARRIER CANOPY 90 ASY (RR RH)
	3750902R	1	BRKT ASSY RH RR BAR CHNL 87.3DEG X 62.5H
	3750902L	1	BRKT ASSY LH RR BAR CHNL 87.3DEG X 62.5H
OR 4140480			
	3753311R	1	BKRT ASSY RH CARRIER RB FRT
	3753311L	1	BKRT ASSY LH CARRIER RB FRT
	3753313	2	BKRT ASSY CARRIER RB REAR
OR 4140485			
	3753932R	1	BKRT ASSY RH CARRIER RB FRT- EC FORD 22+
	3753932L	1	BKRT ASSY LH CARRIER RB FRT- EC FORD 22+
	3753934R	1	BKRT ASSY RH CARRIER RB REAR- EC FORD 22+
	3753934L	1	BKRT ASSY RH CARRIER RB REAR- EC FORD 22+

OR 4171010	3755032R	1	BKRT ASSY RH CARRIER RB FRT-GW CANNON 2020 CLS CNPY
	3755032L	1	BKRT ASSY LH CARRIER RB FRT-GW CANNON 2020 CLS CNPY
	3755034R	1	BKRT ASSY RH CARRIER RB REAR-GW CANNON 2020 CLS CNPY
	3755034L	1	BKRT ASSY LH CARRIER RB REAR-GW CANNON 2020 CLS CNPY
FASTENERS	4581287	4	WASHER M6 SPRING BLACK
	6151172	4	BOLT M6 x 1.0 x 35 mm
	6151213	4	BOLT M6 x 1.0 x 20 mm
	4581082	4	WASHER M6 FLAT BLACK
	3194123	4	PLATE LOCKING M6
	6151300	4	NUT M6 CAGE
	665023	4	ADAPTOR PLASTIC ROOF BAR THULE AERO
	665013	4	EXTERNAL SEAL

In general terms, higher brackets go to the front of the canopy. When fitted, generally, brackets should sit perpendicular to the vehicle's tub.

## 1. PRE-ASSEMBLY CHANNEL BAR

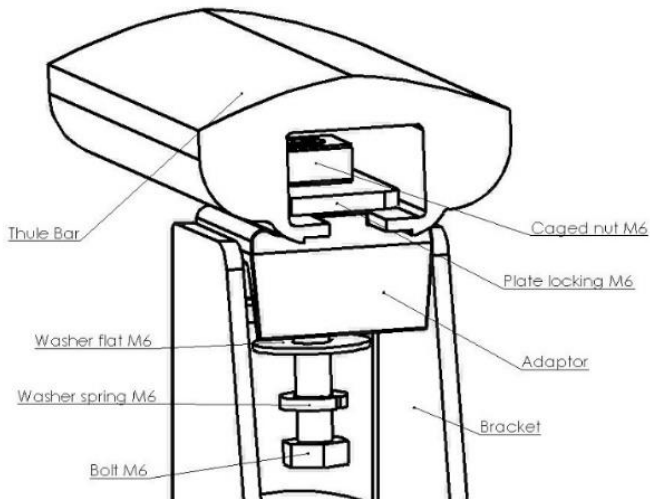
### Parts required for pre assembly



**NOTE:** Pictured is one side only of the assembly and you will only receive the appropriate carrier brackets. When fitting Thule roof bars the plastic adaptor (665023) is to be used and the M6 x 35 bolts (6151172) are used to fasten the roof bar to the brackets. Some front brackets are LH and RH, the base will be angled this is to match the rake angle on the top front of the canopy.

- Cage nut plate (including plate with M6 cage nut fitted)
- M6 flat washers
- M6 spring washers
- M6 bolts
- Plastic adaptor (Aero & Professional type bar)
- Carrier brackets
- External seals applied to the bases with the adhesive side to the base of the bracket.

## Assembling the parts



Fit locking plates to the carrier brackets using the M6 bolts, M6 spring washers, and M6 flat washers. Leave the fittings loose.

Slide assemblies onto the channel bar.

Fit plastic end caps to the roof bar as per fitting instructions for the roof bar.

When assembling either the Thule Aero or Professional type bars (purchased separately), the plastic adaptor is placed in between the bracket and bar as shown in the adjacent diagram and the M6 X 35 bolts 6151172 are used to fasten the roof bar to the bracket.

For square bars that do not use the plastic adaptor use M6 x 20 bolts.

Fit external seals to the bases of carrier brackets.



## 2. FITTING THE CHANNEL BAR

### Setting up the channel bar assembly



Measure the centre distance between the 25mm holes in the roof of the canopy shell.

Position the sliding carrier brackets on the roof bar centred about the roof bar at spacing equal to the centre distance of the holes drilled into the canopy shell's roof and bolt up using the M10 bolts contained in the separate internal frame kit.

### Fitting channel bars to canopy shell



Fit the channel bar assembly to the canopy's roof using M10 screws, flat washers, and flanged nuts through mount brackets (supplied with the internal frame assembly kit (sold separately)).

Adjust position and when in place tighten up all fasteners

**M6 TIGHTEN TO 9Nm. M10 TIGHTEN TO 44Nm**

