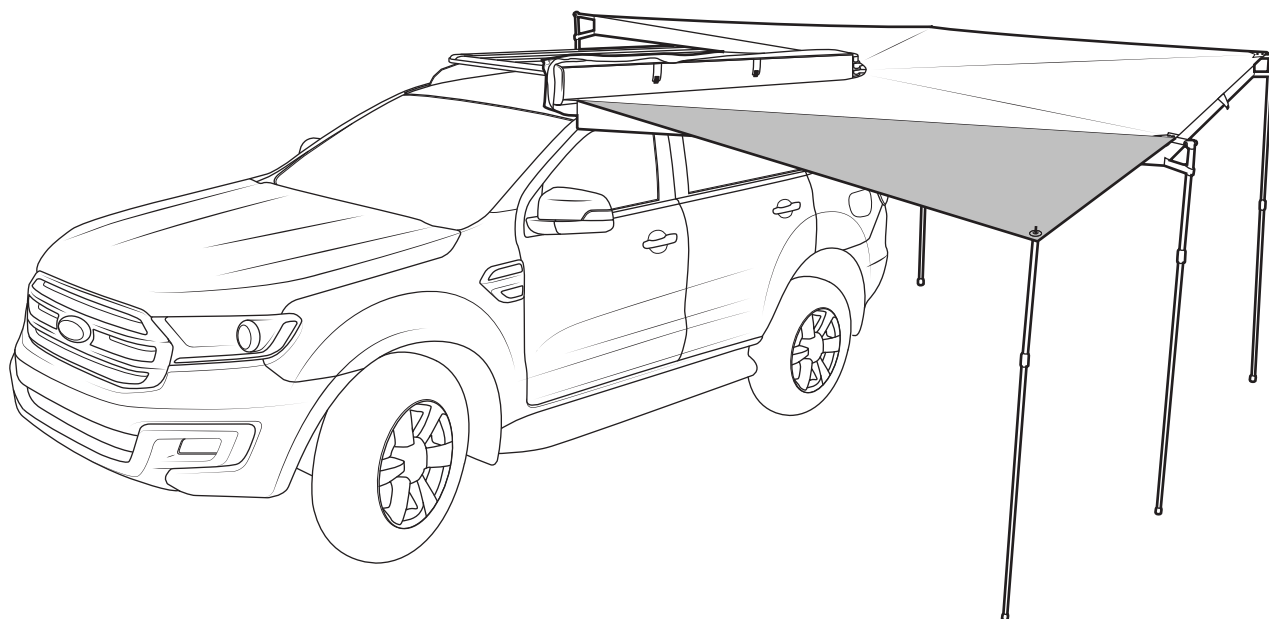


RHINO-RACK

Rhino-Rack Batwing Front Edge Zippered Insert (31124)

- | | |
|------------------------------------------------------------------------|------------------------------------------------------------------------|
| 1. <input type="checkbox"/> Check Part No./Kit is correct | 3. <input type="checkbox"/> Fit roof rack accessory |
| 2. <input type="checkbox"/> Read through instruction before installing | 4. <input type="checkbox"/> Check and recheck all fasteners are secure |

Layout



Important Information

Recommendations

It is essential that all bolt connections be checked after driving a short distance when you first install your Rhino-Rack Batwing Awning. Bolt connections should be checked again at regular intervals (probably once a week is enough, depending on road conditions, usage, loads and distances travelled). You should also check the roof bars each time they are refitted.

Use only non-stretch fastening ropes or straps.

Please remove Batwing Awning and crossbars when putting vehicle through an automatic car wash.

Load Ratings

With the addition of the Batwing Awning, the load capacity of your crossbars will have to be adjusted accordingly. The Batwing Awning and 2 crossbars weigh approximately 19kg. When roof racks are to be used in off-road conditions, please build a safety factor of 1.5 into this load limit. Although the roof racks are tested and approved to AS1235-2000, Australian road conditions can be much more rigorous.

Note for Dealers and Fitters:

It is your responsibility to ensure these fitting instructions are given to the end user or client

Rhino-Rack, 22 Hanson Pl, Eastern Creek
NSW 2766, Australia
(02) 8846 1900
rhinorack.com.au

Document No: R469
Prepared By: K.Everett
Authorised By: N.Clarke

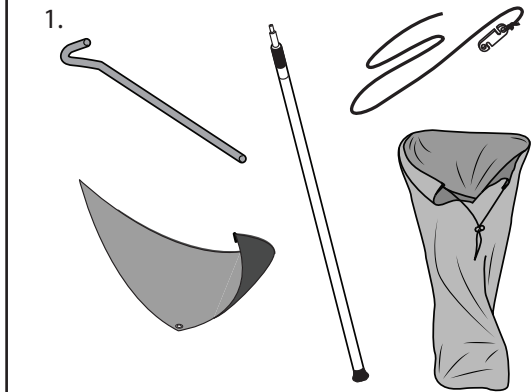
Issue No: 02
Issue Date: 23/03/2018

These instructions remain the property of Rhino-Rack Australia Pty. Ltd. and may not be used or changed for any other purpose than intended.

Rhino-Rack Batwing Front Edge Zippered Insert (31124)

Parts List

Item	Component Name	Qty	Part
1	Front Edge Batwing Zippered Insert	1	-
2	Metal Peg	1	C909
3	Telescopic Support Pole	1	31106
4	Guy Rope	1	C910
5	Bag	1	-
6	Fitting Instruction	1	R469



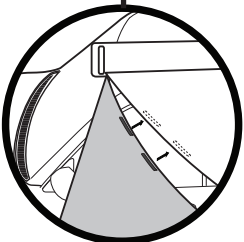
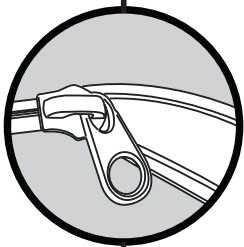
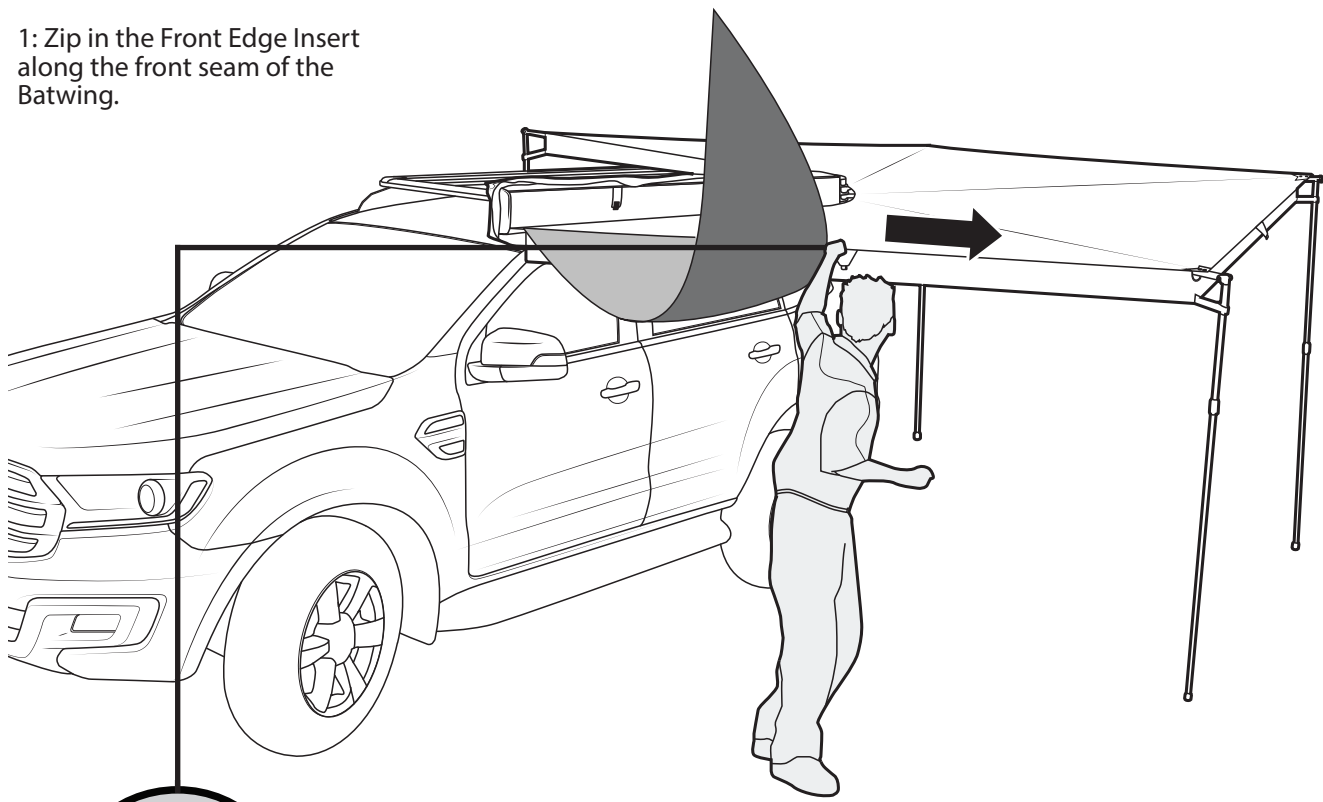
Tools Required:

Mallet

Instructions

1 Using the zips on your Batwing Front Edge Insert, fix the unit in place.

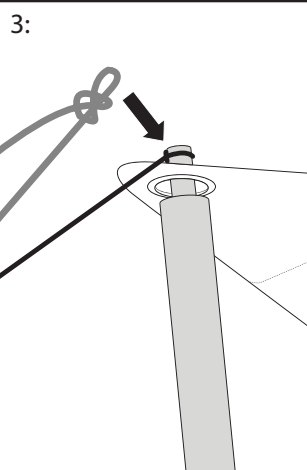
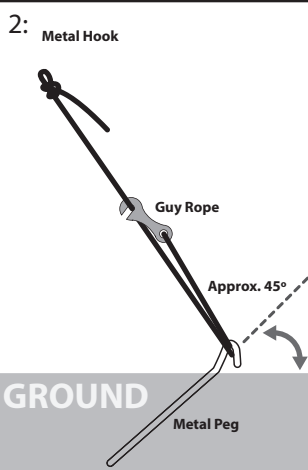
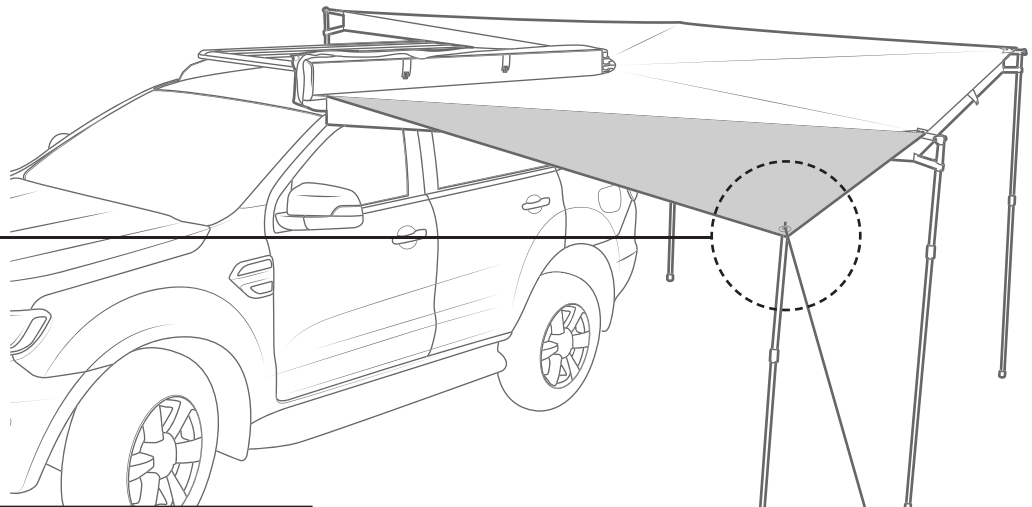
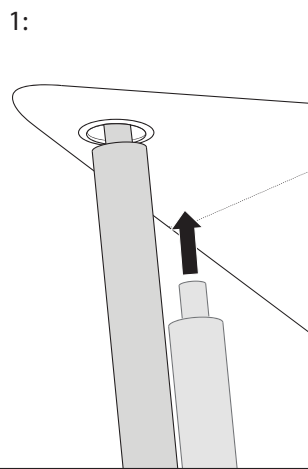
1: Zip in the Front Edge Insert along the front seam of the Batwing.



2: As the Front Edge Zippered Insert is being attached to the Batwing, fix the velcro tabs to the awning along the length of the inserts zipper.

Rhino-Rack Batwing Front Edge Zippered Insert (31124)

2



- 1: Place the Support Pole through the eyelet in the Insert.
- 2: Using a mallet, insert the Steel Peg into the ground as shown and attach the Guy Rope.
- 3: Attach the Guy Rope to the top of the Support Pole, pull rope taut.

Storage

1: Fold the Front Edge Batwing Zippered Insert kit in half as shown. 2: Place the Support pole onto the folded insert. 3: Roll the Support Pole up inside the Insert. 4: Place the assembly in its bag.

