

# RHINO-RACK

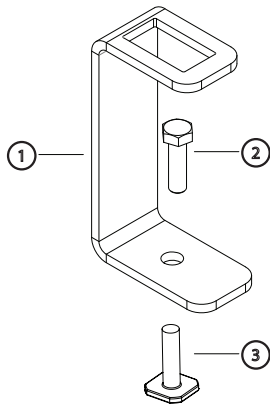
## RCB Rhino High Lifting Jack and Shovel Holder Bracket

To be used in conjunction with the Rhino Hi-Lift Jack Holder and the Shovel Holder

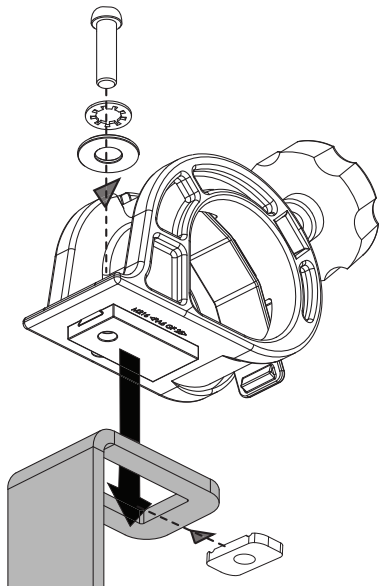
**Important:** Please read these instructions carefully prior to installation. Please refer to your fitting instruction to ensure that the roof racks are installed in the correct locations. Check the contents of kit before commencing fitment and report any discrepancies. Place these instructions in the vehicle's glove box after installation is complete.

### Parts List

1	Hi-Lift Jack and Shovel Holder Bracket	2	C791
2	M8 x 30mm Hex Bolt	2	B026
3	M8 x 30mm T-Bolt	2	B130
4	Fitting Instructions	1	RS452

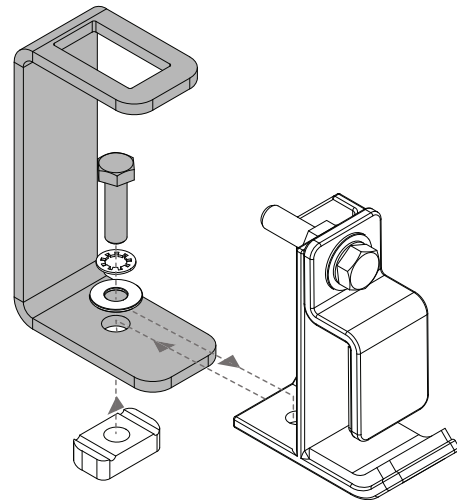


**2** Follow the exact fitting instructions for the shovel holder brackets.



### Heavy Duty bars

**1** Replace the existing M8 hex bolt with the supplied M8 x 30mm hex bolt. Follow the exact fitting instructions for the high lift.



### Vortex bars

**1** Replace the existing M8 T-bolt with the supplied M8 x 30mm T-bolt. Follow the exact fitting instructions for the high lift.

