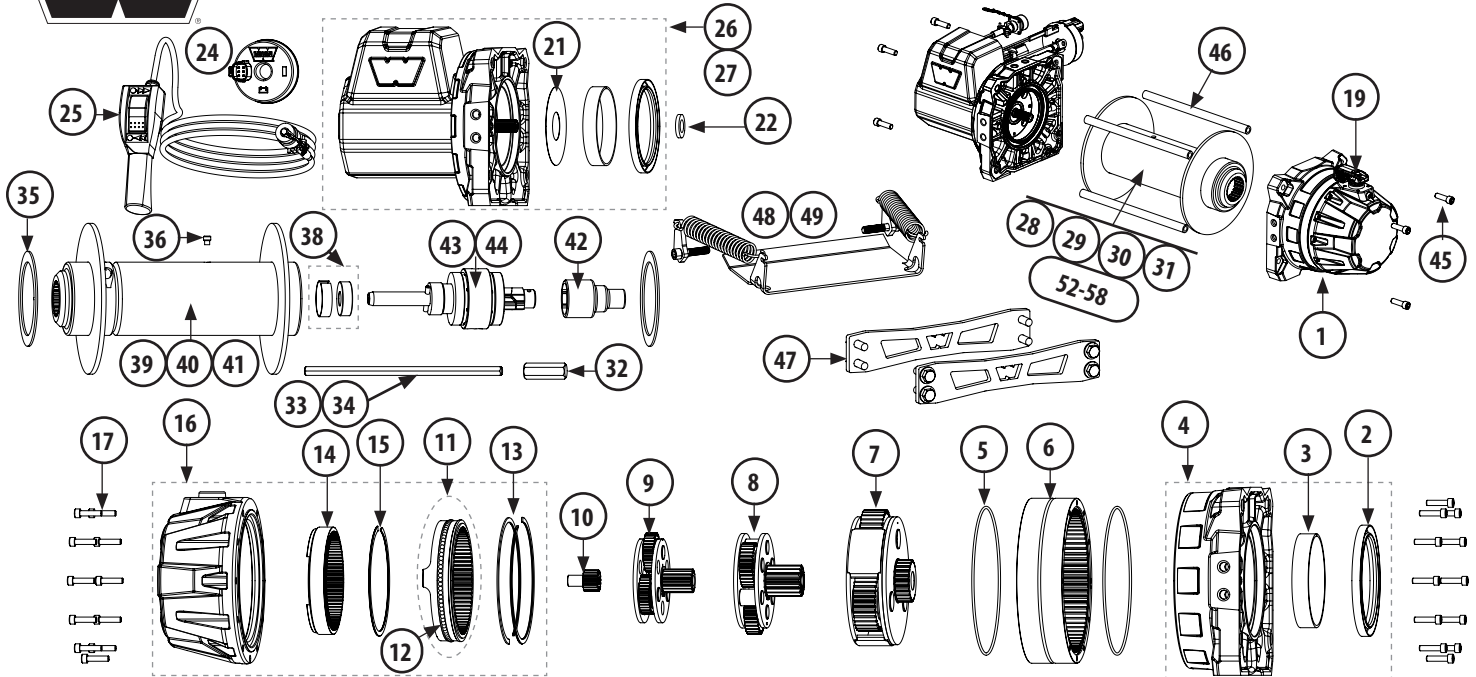




SERIES G2 18 SEVERE DUTY ELECTRIC WINCH REPLACEMENT PART LIST



TRANSMISSION GROUP

KIT#	Description	PN
1	Full Transmission Assembly	104582
2	Seal Replacement Part	107033
3	Bushing Replacement Kit	107030
4	Transmission Drum Support Replacement	104596
5	O-ring Replacement Kit	107031
6	Ring Gear (Stage 3)	104586
7	Carrier Assembly (Stage 3)	102550
8	Carrier Assembly (Stage 2)	98771
9	Carrier Assembly (Stage 1)	104565
10	Sun Gear	104567
11	Rotating Ring Gear (Stage 2) Replacement Kit	107034
12	Ball Bearing Replacement Kit	22350

KIT#	Description	PN
13	Ret. Ring (Stage 2) Replacement	98485
14	Ring Gear (Stage 1)	107029
15	Ret. Ring (Stage 1) Replacement	107028
16	End Housing Replacement	104598
17	Transmission Fastener Kit	107032
18	Clutch Lever Hardware Replacement Kit	107035

Clutch Type:		Manual	Remote	Air	Plugged
KIT#	Description	PN	PN	PN	PN
19	Clutch Replacement	104601	107037	107038	107039
20	Clutch Extension Kit for Remote Clutch Lever		107040		

MOTOR GROUP

KIT#	Description	PN
21	Dust Mask Replacement	107047
22	Motor Shaft Spacer Replacement	99694
23	Generic Nameplate Label Replacement	104664
24*	OLI Module Replacement	105030
Remote Control Length:		12ft. 10m
25	Remote Control	77671 85394

Winch Motor Clocking Position:		12	3	6	9
KIT#	Description	PN	PN	PN	PN
26	Motor and Drum Support Assembly Anti-Clockwise Drum Rotation	104588	104589	104590	104587
27	Motor and Drum Support Assembly Clockwise Drum Rotation	104603	104604	104605	104602

* For non-standard OLI set-points, contact WARN customer service.

DRUM and SYNTHETIC ROPE GROUP

KIT#	Description	Drum Length:			
		6.5"	8"	10"	12.5"
28	Drum & Brake Assembly (Wire Rope) Anti-Clockwise Drum Rotation	107078	107082	107086	107090
29	Drum & Brake Assembly (Wire Rope) Clockwise Drum Rotation	107079	107083	107087	107091
30	Drum & Brake Assembly (Synthetic Rope) Anti-Clockwise Drum Rotation	107080	107084	107088	107092
31	Drum & Brake Assembly (Synthetic Rope) Clockwise Drum Rotation	107081	107085	107089	107093
32	Electric Drive Shaft Brake Adapter	98525	98525	98525	98525
33	Drive Shaft (9/12 Capacity)	107058	107058	107059	107059
34	Drive Shaft (15/18 Capacity)	107060	107060	107061	107061
35	Thrust Washer Replacement Kit	98372	98372	98372	98372
36	Drum Set Screw Replacement	98534	98534	98534	98534
37	Synthetic Rope Fastener Kit	107115	107115	107115	107115
38	Drum Bearing and Tolerance Ring Kit	31672	31672	31672	31672
39	Wire Rope Drum Replacement	106272	32057	31671	32225
40	Synthetic Rope Drum Replacement Anti-Clockwise Drum Rotation	107062	107063	107064	107065
41	Synthetic Rope Drum Replacement Clockwise Drum Rotation	107066	107067	107068	107069
42	Brake Driver Replacement	77717	77717	77717	77717
43	Brake Assembly Service Kit Anti-Clockwise Drum Rotation	107094	31683	31683	107097
44	Brake Assembly Service Kit Clockwise Drum Rotation	107095	107096	107096	107098
45	Tie Rod Fastener Replacement Kit	104620	104620	104620	104620
46	Tie Rod Replacement Kit	104636	104637	104638	104639
47	Tie Bar Replacement Kit	107100	107101	107102	107103
48	Tensioner Kit - Side Mounted	107104	107105	107106	107107
49	Tensioner Kit - Top Mounted	107108	107109	107110	107111

KIT#	Description	Drum Length:			
		6.5"	8"	10"	12.5"
50**	Synthetic Rope Pro - 7/16"x100'		91820	91820	91820
51**	Synthetic Rope Pro Max - 1/2"x70'	91840	91840	91840	91840

** Rope Only

KIT#	Wound Drum	Wound Drum Rope	PN
52	6.5" Anti-Clockwise	1/2" x 60' 6x36 EIPS	104671
53	8" Anti-Clockwise	1/2" x 60' 6x36 EIPS	104682
54	8" Anti-Clockwise	1/2" x 60' 8x25 Compact Strand	104673
55	8" Clockwise	7/16" x 100' 8x19 Compact Strand	104672
56	10" Clockwise	1/2" x 75' 6x36 EIPS	104675
57	10" Clockwise	1/2" x 100' 6x36 EIPS	104678
58	12.5" Anti-Clockwise	1/2" x 100' 6x36 EIPS	104676

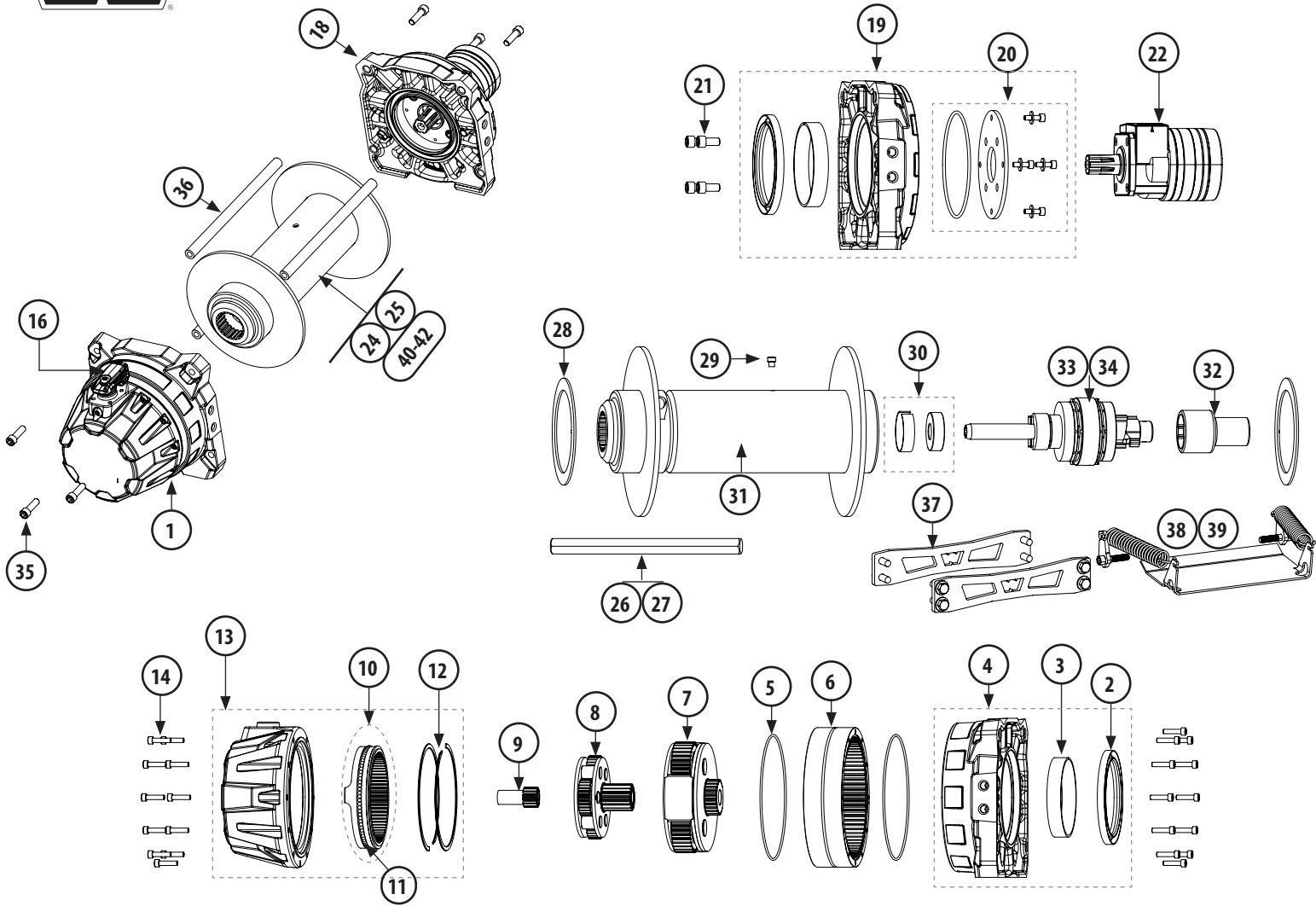
GENERAL COMPONENTS

KIT#	Description	PN
59	General Winch Label Replacement Kit	107121
60	Mounting Hardware Replacement Kit	107120
61	Winch Hook - Standard	98389
62	Winch Hook - 5 Ton	77681

Drum Length:		6.5"	8"	10"	12.5"
63	Roller Fairlead	29844	24335	24336	107199
64	Hawse Fairlead	107200	107201	107202	107203



SERIES G2 18 SEVERE DUTY HYDRAULIC WINCH REPLACEMENT PART LIST



TRANSMISSION GROUP

KIT#	Description	PN	KIT#	Description	PN	
1	Full Transmission Assembly	104584	11	Ball Bearing Replacement Kit	22350	
2	Seal Replacement	107033	12	Ret. Ring (Stage 2) Replacement Kit	98485	
3	Bushing Replacement Kit	107030	13	End Housing Replacement	104597	
4	Transmission Drum Support Replacement	104596	14	Transmission Fastener Kit	107032	
5	O-ring Replacement Kit	107031	15	Clutch Lever Hardware Kit	107035	
6	Ring Gear Replacement (Stage 3)	104586	Clutch Type: Manual Remote Air Plugged			
7	Carrier Replacement (Stage 3)	102550	KIT#	Description	PN	
8	Carrier Replacement (Stage 2)	102551	16	Clutch Replacement	104601 107037 107038 107039	
9	Sun Gear	104568	17	Clutch Extension Kit for Remote Clutch Lever	107040	
10	Rotating Ring Gear (Stage 2) Kit	107034				

MOTOR GROUP

KIT#	Description	PN	KIT#	Description	PN
18	Motor and Drum Support Assembly	104595	21	Motor Mounting Fastener Kit	98483
19	Motor Drum Support Replacement	104599	22	Motor Replacement	104578
20	Motor Mounting Plate Kit	104547	23	Generic Nameplate Label Replacement	104665

DRUM GROUP

KIT#	Description	Drum Length:			
		6.5"	8"	10"	12.5"
24	Drum and Brake Assembly Anti-Clockwise Drum Rotation	107070	107072	107074	107076
25	Drum and Brake Assembly Clockwise Drum Rotation	107071	107073	107075	107077
26	Drive Shaft (9/12 Capacity)	107055	107055	102552	102552
27	Drive Shaft (15/18 Capacity)	107056	107056	107057	107057
28	Thrust Washer Kit	98372	98372	98372	98372
29	Drum Set Screw Replacement	98534	98534	98534	98534
30	Drum Bearing and Tolerance Ring Kit	31672	31672	31672	31672
31	Wire Rope Drum Replacement	106272	32057	31671	32225
32	Brake Driver Replacement	102555	102555	102555	102555
33	Brake Assembly Service Kit (Anti-Clockwise Drum Rotation)	107112	87858	87858	88058
34	Brake Assembly Service Kit (Clockwise Drum Rotation)	107113	87860	87860	88059
35	Tie Rod Fastener Kit	104620	104620	104620	104620

KIT#	Description	Drum Length:			
		6.5"	8"	10"	12.5"
36	Tie Rod Replacement Kit	104636	104637	104638	104639
37	Tie Bar Replacement Kit	107100	107101	107102	107103
38	Tensioner Kit - Side Mounted	107104	107105	107106	107107
39	Tensioner Kit - Top Mounted	107108	107109	107110	107111

GENERAL COMPONENTS

KIT#	Description	PN
43	General Winch Label Replacement Kit	107121
44	Mounting Hardware Replacement Kit	107120
45	Winch Hook - Standard	98389
46	Winch Hook - 5 Ton	77681
Drum Length:		6.5" 8" 10" 12.5"
47	Roller Fairlead	29844 24335 24336 107199