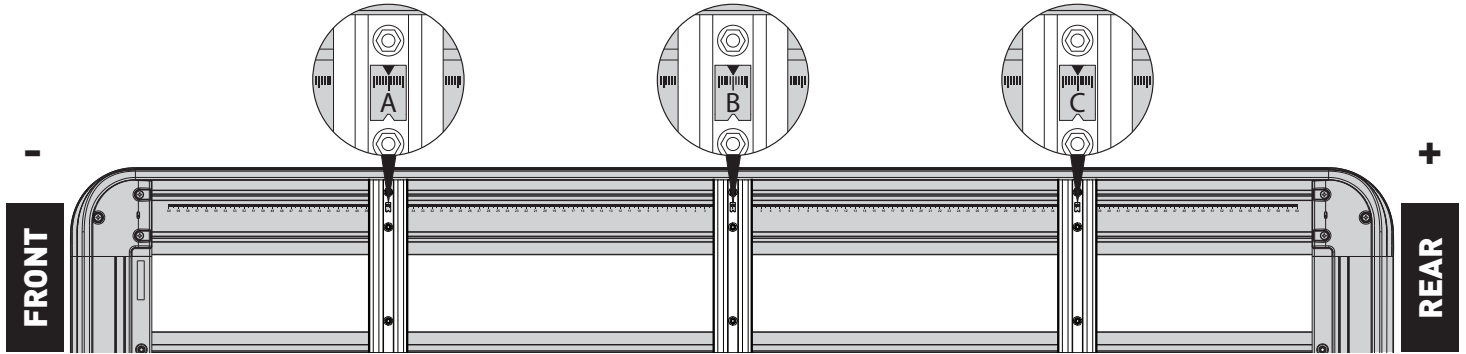


VEHICLE	PIONEER SIZE	CONNECTOR
MITSUBISHI Triton ML/MN Dual Cab	52100	RLT600

IMPORTANT NOTES	-
------------------------	---

REGION	AUS	NZ	USA	CA	EU	SA	ZA
AVAILABILITY	✓	✓					
RUNNING DATES	Jul-06 - Mar-15	-	-	-	-	-	-

UNDERBAR SPACING



BAR NO.	A	B	C	D	E	F	G
DIMENSION (CM)	-39.0	0.0	46.0	-	-	-	-
SPACERS REQ'D	QMVA05 / QMW10	-	QMVA05 / QMW05	-	-	-	-

VEHICLELOAD LIMIT (kgs / lbs)	SYSTEM WEIGHT (kgs / lbs) PLATFORM + CONNECTOR	ON-ROAD CARGO ALLOWANCE (kgs / lbs)	OFF-ROAD CARGO ALLOWANCE (kgs / lbs)
80 / 176.4	21.7 / 47.8	58.3 / 128.6	38.9 / 85.7

NOTES FOR DEALERS / FITTERS

It is your responsibility to ensure these fitting instructions are given to the end user or client.

Document No: R1967
 Issue No: 0
 Issue Date: 21/10/2019

These instructions remain the property of Rhino-Rack Australia Pty. Ltd. and may not be used or changed for any other purpose than intended.