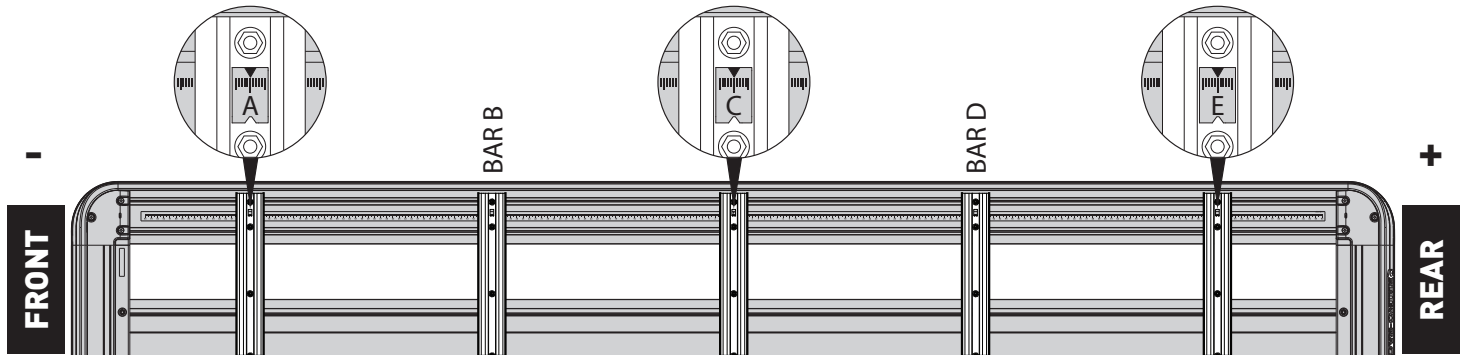


VEHICLE	PIONEER SIZE	CONNECTOR
TOYOTA Prado 150 Series	52107	RTPB1

<b>IMPORTANT NOTES</b>	Requires Kit SP309; Fit Backbone System to vehicle before fitting Pioneer System
------------------------	--

REGION	AUS	NZ	USA	CA	EU	SA	ZA
AVAILABILITY	✓	✓			✓	✓	✓
RUNNING DATES	Nov-09 -	-	-	-	-	-	-

**UNDERBAR SPACING**



BAR NO.	A	B	C	D	E	F	G
DIMENSION (CM)	-64.3	-15.6	4.7	48.4	73.5	-	-
SPACERS REQ'D	-	-	-	-	-	-	-

VEHICLE LOAD LIMIT (kgs / lbs)	SYSTEM WEIGHT (kgs / lbs) PLATFORM + CONNECTOR	ON-ROAD CARGO ALLOWANCE (kgs / lbs)	OFF-ROAD CARGO ALLOWANCE (kgs / lbs)
80 / 176.4	37.1 / 81.8	42.9 / 94.6	28.6 / 63.1

**NOTES FOR DEALERS / FITTERS**

It is your responsibility to ensure these fitting instructions are given to the end user or client.

Document No: R2293  
 Issue No: 0  
 Issue Date: 21/10/2019

These instructions remain the property of Rhino-Rack Australia Pty. Ltd. and may not be used or changed for any other purpose than intended.