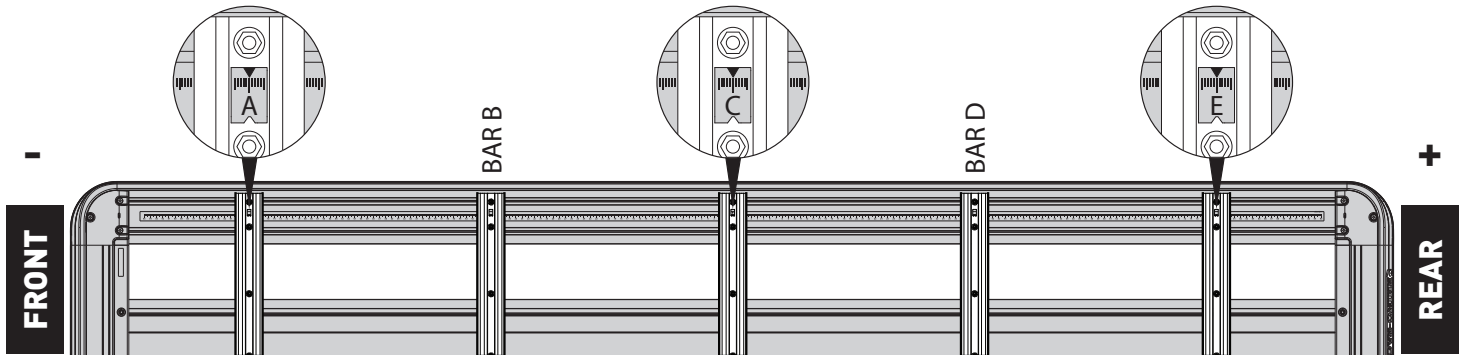


VEHICLE	PIONEER SIZE	CONNECTOR
TOYOTA Land Cruiser 200 Series	52107	RTLB1

IMPORTANT NOTES	Requires Kit SP309; Fit Backbone System to vehicle before fitting Pioneer System
-----------------	--

REGION	AUS	NZ	USA	CA	EU	SA	ZA
AVAILABILITY	✓	✓	✓	✓	✓	✓	✓
RUNNING DATES	Nov-07 -	-	-	-	-	-	-

**UNDERBAR SPACING**



BAR NO.	A	B	C	D	E	F	G
DIMENSION (CM)	-42.3	-15.6	13.7	48.4	89.4	-	-
SPACERS REQ'D	-	-	-	-	-	-	-

VEHICLE LOAD LIMIT (kgs / lbs)	SYSTEM WEIGHT (kgs) PLATFORM + CONNECTOR	ON-ROAD CARGO ALLOWANCE (kgs / lbs)	OFF-ROAD CARGO ALLOWANCE (kgs / lbs)
150 / 330.8	37.1 / 81.8	112.9 / 284.9	75.3 / 166

**NOTES FOR DEALERS / FITTERS**

It is your responsibility to ensure these fitting instructions are given to the end user or client.

Document No: R2297  
 Issue No: 0  
 Issue Date: 21/10/2019

These instructions remain the property of Rhino-Rack Australia Pty. Ltd. and may not be used or changed for any other purpose than intended.