



FITTING INSTRUCTIONS

Part Number: **3412470 W/BAR LC70 76/78/79 – 07ON SRS W/FLR NFO 9/9.5/Z8/10**
3212430 - ARB BULL BAR FLARED WITH FOG LIGHT

Product

Description:

Suited to **TOYOTA LAND CRUISER 76/78 & 79 SERIES: 2007 ON (non-airbag)**

vehicle/s: **TOYOTA LAND CRUISER 76/78 & 79 SERIES: 2009 ON (airbag)**

Optional **3500590 – ARB FOG LIGHT KIT.**

Fitting Kit: **3500640 - ARB AUX FOG LIGHT ADAPTOR – FACTORY FOG LAMP VEHICLES.**

3500530 – ARB AUX FOG LIGHT LOOM - NON FACTORY FOG LAMP VEHICLES.

3500680 – FOG LAMP HOUSING CLEAR LENS KIT.

WARNING

REGARDING VEHICLES EQUIPPED WITH SRS AIRBAG:

When installed in accordance with these instructions, the front protection bar does not affect operation of the SRS airbag.

ALSO, NOTE THE FOLLOWING:

- ◆ This product must be installed exactly as per these instructions using only the hardware supplied.
- ◆ In the event of damage to any bull bar component, contact your nearest authorised ARB stockist. Repairs or modifications to the impact absorption system must not be attempted.
- ◆ Do not use this product for any vehicle make or model, other than those specified by ARB.
- ◆ Do not remove labels from this bull bar.
- ◆ This product or its fixing must not be modified in any way.
- ◆ The installation of this product may require the use of specialized tools and/or techniques
- ◆ It is recommended that this product is only installed by trained personnel
- ◆ These instructions are correct as at the publication date. ARB Corporation Ltd. cannot be held responsible for the impact of any changes subsequently made by the vehicle manufacturer
- ◆ During installation, it is the duty of the installer to check correct operation/clearances of all components
- ◆ Work safely at all times
- ◆ Unless otherwise instructed, tighten fasteners to specified torque.

ARB 4x4 ACCESSORIES

Corporate Head Office

42-44 Garden St
Kilsyth, Victoria
AUSTRALIA, 3137

Tel: +61 (3) 9761 6622
Fax: +61 (3) 9761 6807

Australian enquiries
North & South American enquiries
Other international enquiries

sales@arb.com.au
sales@arbusa.com
exports@arb.com.au

www.arb.com.au

GENERAL CARE AND MAINTENANCE

By choosing an ARB Bar, you have bought a product that is one of the most sought after 4WD products in the world. Your bar is a properly engineered, reliable, quality accessory that represents excellent value. To keep your bar in original condition it is important to care and maintain it following these recommendations:

- Prior to exposure to the weather your bar should be treated to a Carnauba based polish on all exposed surfaces. It is recommended that this is performed on a six monthly basis or following exposure to salt, mud, sand or other contaminants.
- As part of any Pre Trip Preparation, or on an annual basis, it is recommended that a thorough visual inspection of the bar is carried out, making sure that all bolts and other components are torqued to the correct specification. Also check that all wiring sheaths, connectors, and fittings are free of damage. Replace any components as necessary. This service can be performed by your local authorized ARB Stockist.

FITTING REQUIREMENTS



TOW BAR FITMENT (Vehicles 09 ON):

- IF THE VEHICLE WILL BE FITTED WITH BOTH A BULL-BAR AND A TOWBAR, THE TOWBAR MUST BE WIRED USING A DEDICATED WIRING LOOM.
- THE ARB UNIVERSAL TOWBAR WIRING LOOM MUST BE USED TO WIRE THE TOWBAR (PART NUMBER A4916)

REQUIRED TOOLS FOR FITMENT OF PRODUCT:

METRIC SOCKET SET	METRIC RING AND OPEN ENDED SPANNER SET
ELECTRIC DRILL 13 MM CAPACITY	12mm DRILL BITS
SMALL EXT CIR CLIP PLIERS	PHILLIPS AND FLAT BLADE SCREW DRIVER SETS
TAPE MEASURE OR STEEL RULE	FELT TIP MARKER PEN

HAVE AVAILABLE THESE SAFETY ITEMS WHEN FITTING PRODUCT:

Protective eyewear 	Hearing protection 
--	--

NOTE: 'WARNING' notes in the fitting procedure relate to OHS situations, where to avoid a potentially hazardous situation it is suggested that protective safety gear be worn or a safe work procedure be employed. If these notes and warnings are not heeded, injury may result.

FASTENER TORQUE SETTINGS:

SIZE	Torque Nm	Torque lbft
M6	9Nm	7lbft
M8	22Nm	16lbft
M10	44Nm	32lbft
M12	77Nm	57lbft

PARTS LISTING

APPLICATION.	PART NO.	QTY	DESCRIPTION
BULL BAR TO CHASSIS	6151249	2	BOLT M12 X 1.75 X 140 mm
	6151189	2	NUT M12 X 1.75
	4581049	4	WASHER FLAT M12
	4581050	2	WASHER SPRING M12
	6151686	8	BOLT M10 X 1.25 X 30 mm Grade 10.9
	4584366	8	WASHER HARDENED M10 X 30 X 4
	4581011	4	SPACER M12 X 4 mm
	5848357	4	CHASSIS PACKER
	5848414	4	PACKER SIDE
	5848419	2	PACKER TOP/BOTTOM 4mm THICK
LICENSE PLATE TO BULL BAR	6151384	2	SCREW PAN HEAD 5 x 16mm BLACK
	6821189	2	GROMMET LICENCE PLATE
INDICATORS TO BULL BAR	6821287	1	LED INDICATOR/CLEARANCE KIT PAIR
	6821116	4	NYLON PLUGS
	180302	6	CABLE TIES
FOG LAMP HOUSINGS TO BULL BAR	3163082	1	FOG LAMP HOUSING KIT
WINCH FITMENT	4581040	4	WASHER FLAT M10
	6151074	2	BOLT 3/8" X 1 3/4"
	4581041	4	WASHER FLAT 7/16" X 1"
	180302	4	CABLE TIES
CONTROL BOX FITMENT	3756499	1	CONTROL BOX BRACKET
	6151021	2	BOLT M8 X 20MM
	6151132	2	NUT FLANGE M8
	4581044	2	WASHER M8
	EG 50	2	GROMMET 50MM
LICENCE PLATE WHEN WINCH FITTED	3751451	1	NUMBER PLATE BRACKET
	6151017	4	BOLT M6 X 16
	6151046	4	WASHER FLAT M6
	6151128	4	NUT FLANGE M6
STONE SHIELD AND RADIATOR GUARD – sold separately, kit 3512040			
	6522675	1	STONE SHIELD
	3757506	1	RADIATOR GUARD
TOW HOOK PACKERS, hooks sold separately- Part No's. 6125 or 6126			
	5848376	2	PACKER TOW HOOK

FITTING PROCEDURE: PREPARATION TO VEHICLE



1. Remove grill
2. Remove bumper bar and steel support structure.
3. Remove the bolt on tow hook/s. Retain the tow hook/s and bolts.
4. Remove the stone shield. Retain the stone shield and the retaining bolts.



5. Refit grill
6. When complete, the vehicle should be presented as shown.



7. Remove the vehicle's plastic indicator access covers (RH & LH), located underneath the indicators.

PREPARATION TO VEHICLE (Continued)



FUNCTION	INDICATOR HARNESS	VEHICLE COMBINATION LAMP	
		RIGHT	LEFT
INDICATOR	GREEN	GREEN / YELLOW	GREEN / BLACK
PARK	RED	GREEN	GREEN / RED
EARTH	BLACK	WHITE/BLACK	WHITE/BLACK

8. Connect the LED indicator/clearance harnesses to the vehicle using the wiring looms (6821286) and scotch locks provided in the LED indicator/clearance kit (6821287).

(See table for wire colours).

9. Allow the LED Looms (6821286) to hang freely for connecting to the bull bar LED's at Step 44.

10. Refit the plastic covers removed at Step 7.

11. **Optional Fog Lamp Fitment:**

For vehicles with Factory Fog lamps:

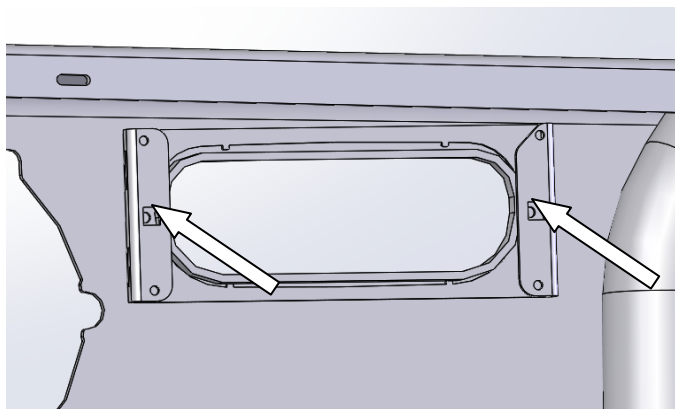
Connect RH & LH Fog Lamp wiring using 3500640-ARB Aux fog light adaptor and connect to Factory Fog Lamp loom.

For vehicles without Factory Fog lamps:

Connect RH & LH Fog Lamp wiring using Fog Lamp Wiring Loom kit – 3500530.

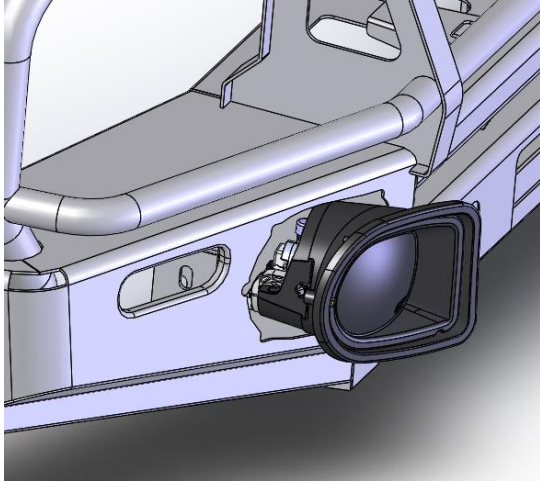
12. Allow the Fog Lamp looms to hang freely for connection to the bull bar Fog Lamps at Step 45.

PREPARATION TO BULL BAR



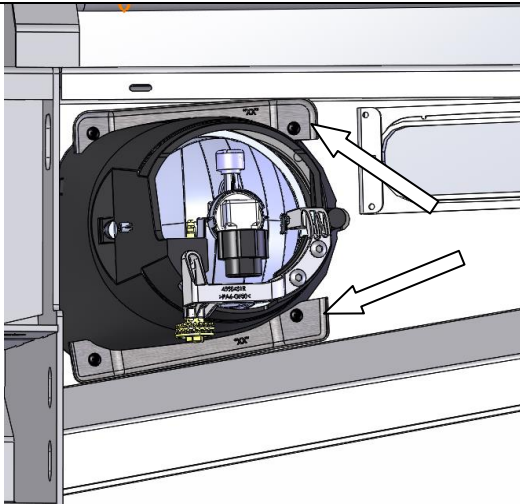
13. Install Nylon plugs (6821116). (4 off) Into Clearance Light/Turn Signal Brackets. (RH Shown).

PREPARATION TO BULL BAR (Continued)



14. Fit fog lamp housings (3163082) into the bull-bar fog lamp cutouts as shown. (RH Shown).

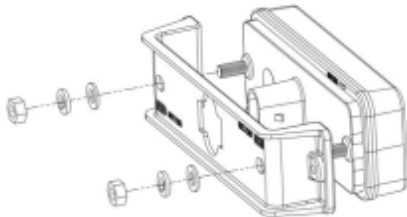
If fitting fog lamps refer to fitting instructions (3789190) in the fog lamp housing kit (3163082) for details before mounting the housings in the bull-bar.



15. Secure into position as indicated using the 2 x fog lamp clamps and 4 x self-tapping screws.

**(RH Clamps Part No. 3759115R).
(LH Clamps Part No. 3759115L).**

Note: 19W Factory Fog Lamp Fitted in this view.

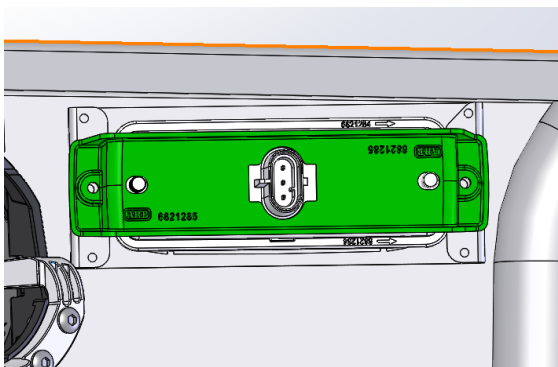


16. Install 6821285 bracket onto LED lamp with 2 x flat washer, 2 x spring washers and 2 x M6 nuts as shown.

Torque to specification.



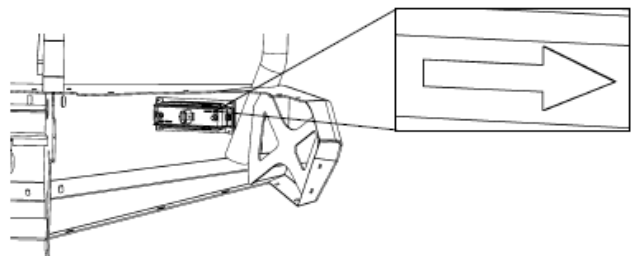
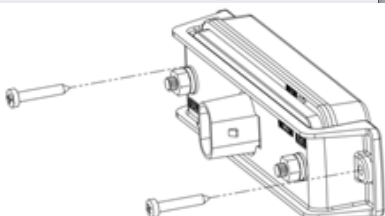
NOTE: Do not over-tighten.



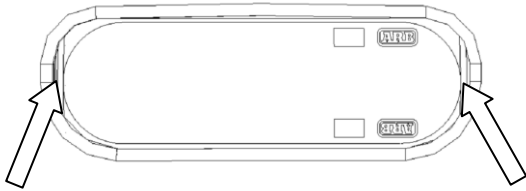
17. Install LED lamp with bracket into bull-bar using 2 x 15mm mounting screws provided. (RH Shown).

Note: Do not fully tighten.

IMPORTANT: The clearance LEDs must be on the outboard edge of the bull-bar. To achieve this, position lamp with arrows facing outside of vehicle as shown below.



PREPARATION TO BULL BAR (Continued)

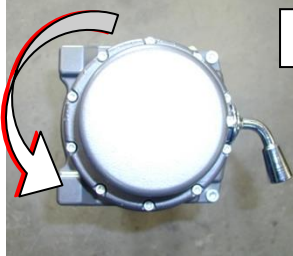


ADJUST GAPS TO BE THE SAME

18. Viewing the installed LED Lamps from the front of the bull bar – adjust the Lamp positions so that they are central in the formed apertures and any gap on either side is the same.

- Once adjusted fully tighten the 15mm mounting screws.

WINCH FITMENT ONLY



ORIGINAL

VIEWED FROM
LHS OF VEHICLE



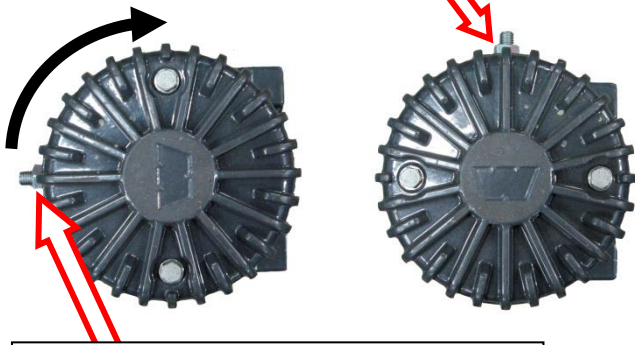
ROTATED

If not fitting a winch, proceed to Step 36.

19. When viewed from the gearbox end, rotate the gearbox 72° (two hole spaces) in an anti-clockwise direction.
20. Remove the cap head screws retaining the gearbox to the winch drum. Carefully lift the gear box just enough to clear the dowel pin. Rotate the gearbox anti-clockwise 72°. Refit and tighten the cap screws.

WARNING – Do not separate the gearbox more than 4mm from the housing.

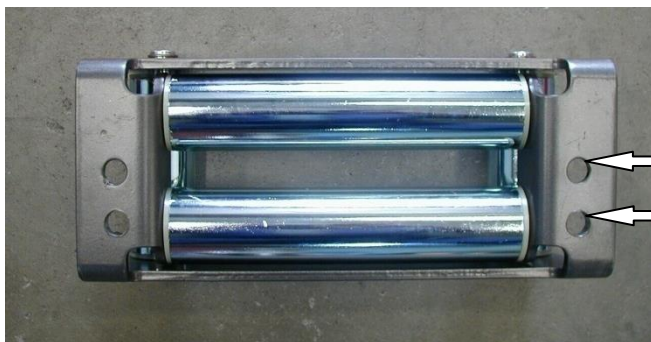
ROTATED TERMINAL POSITION



ORIGINAL TERMINAL

21. When viewed from the motor end, rotate the motor 90° in a clockwise direction.
22. Place the winch on its end and remove the two motor retaining bolts. Gently raise the motor just enough to clear the locating dowel and rotate it 90° as shown. Refit and tighten the bolts.

WARNING – Do not separate the motor more than 4 mm from the housing.



23. Using a 12 mm drill bit, drill two new holes in the roller fairlead 20 mm below the original holes.

Drill the new hole 20mm below



WINCH FITMENT ONLY (Continued)



24. Lay the winch on a suitable surface and place the bull bar on top so that the wire rope will feed from the bottom.
25. Attach the winch to the bull bar through the top two holes.
Use two 3/8" x 1 1/2" bolts, M10 flat washers and spring washers.

Note: The horizontal slots allow adjustment for winch clearance to chassis mount




26. Remove the circlips from the bottom of the vertical rollers of the fairlead and push the pins upwards.
27. With the pins free of the lower return of the fairlead bracket, push the vertical rollers inward.



28. Attach the fairlead to the bull bar using two 3/8" x 1 3/4" bolts, flat washers and spring washers.

Torque to specification.

 3/8" - 44 Nm.

29. Replace the circlips on the vertical rollers.



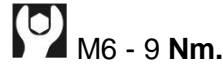
30. Fit two rubber grommets to holes in the top surface of the bull bar.
31. Attach control box to control box bracket.
32. Fit control box to bar with the two M8 x 20mm bolts, M8 flat washers and M8 flange nuts provided.
33. Run cables through the rubber grommets and connect to the winch as per the wiring diagram supplied with the winch.
34. Using cable ties, fix the cables away from any moving, sharp or hot surfaces.

WINCH FITMENT ONLY (Continued)



35. Fit license plate bracket to the winch bar using the M6 x 16 mm bolts, flat washers and flange nuts provided.

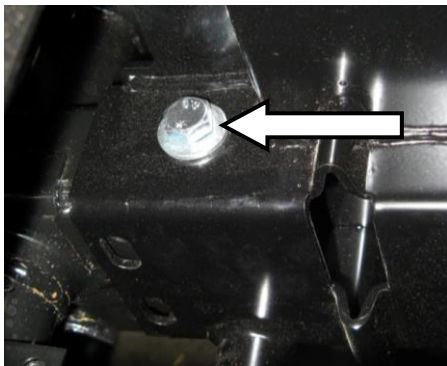
Torque to specification.



BULL BAR FITMENT TO VEHICLE

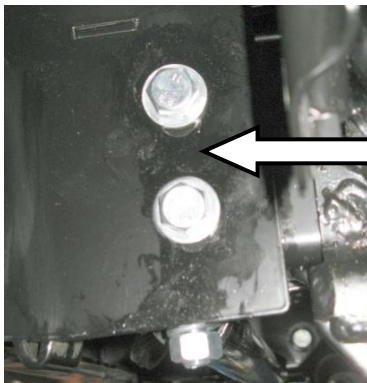


36. With the help of an assistant, lift the bull bar onto the chassis rails of the vehicle.



37. Align the mounting holes and fit the two M12 x 140mm bolts with M12 flat washers through the chassis from the top. Fix with M12 flat washers, spring washers and nuts.

NOTE: Leave these bolts finger tight at this stage.



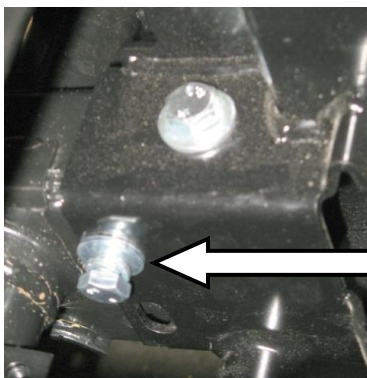
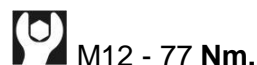
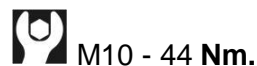
Outside of chassis

38. Fit the six M10 x 25 mm bolts, flat washers and spring washers to the vehicle. Fit two on the outside of each chassis rail. Fit one to the upper hole on the inside of each chassis rail.

39. Align the bull bar to the vehicle making sure that both sides have even gaps to the front guards. Tighten the M10 bolts, before tightening the M12 bolts, fit packers in gap between chassis and bar mounting bracket. In some cases two packers on top of each other are required. When all packers are fitted tighten the M12 bolts. When all bolts are tight break off the packer extensions.

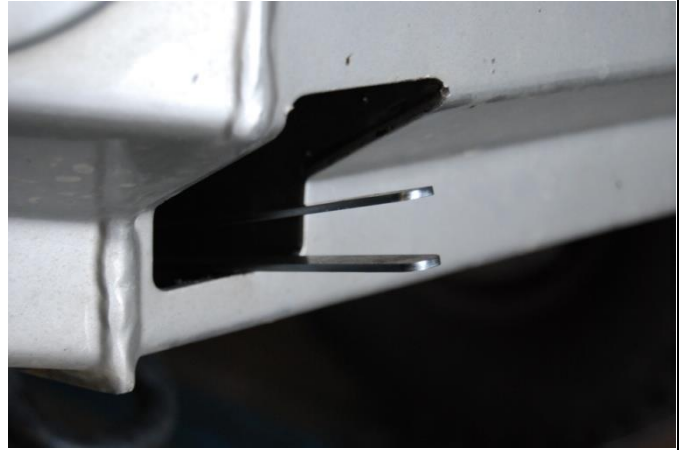
Refer to following 4 photos

Torque to specification.



Inside of chassis

BULL BAR FITMENT TO VEHICLE (Continued)




40. Refit the tow hook/s to the vehicle using the original bolts removed in Step 3. Fit tow hook spacers (i.e. two 4mm thick washers) between the tow hook/s and each chassis rail/s for the two lower bolts.

NOTE: If not refitting the tow hooks to the vehicle fit one M10 x 25 mm bolt, flat washer and spring washer to the lower inside holes of each chassis rail.

41. Refit the factory stone shield removed in Step 4.

Torque to specification.

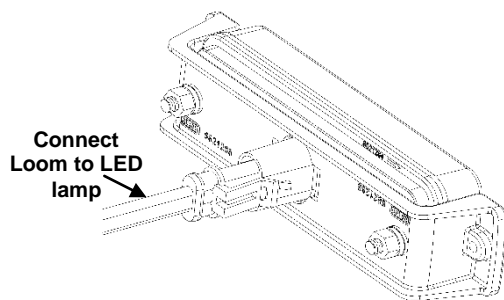
 M10 - 44 Nm.

BULL BAR FITMENT TO VEHICLE (Continued)



42. For bars fitted with a winch, fit the license plate to the license plate bracket (as fitted in Step 35) using the M6 bolts, flat washers and flanged nuts provided.

43. For non-winch bars, fit two plastic grommets into holes in the front of the bull bar. Attach the license plate to the bar by screwing self-tapping screws into these grommets.



44. Connect the indicator/clearance lamps to the looms fitted during Steps 8-9.

45. If fitting fog lamps connect the fog lamp harnesses fitted at Step 11 to the fog lamps.

- **Cable-tie all wiring and wiring looms into safe and convenient locations.** Ensure that all cables are installed well clear of all sharp or moving parts using cable-ties from the bolt kit.
- **Check that all lights work correctly.**
- **Check and test winch if fitted.**

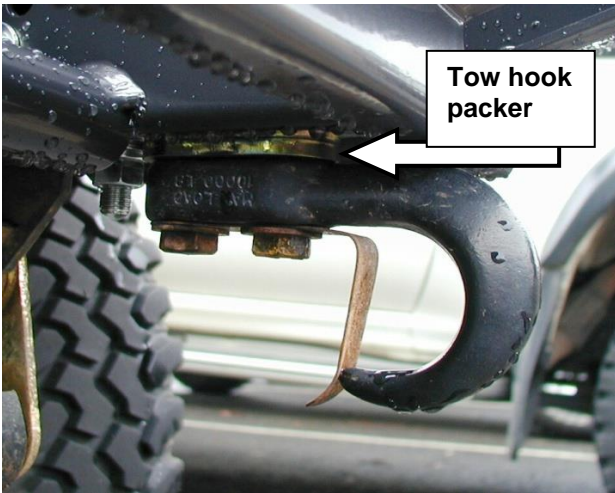
OPTIONAL ACCESSORIES



RADIATOR GUARD AND STONE SHIELD

The radiator guard and stone shield shown in the photo are available from ARB stores as accessories. The ARB kit number is 3512040.

OPTIONAL ACCESSORIES (Continued)



TOW HOOKS

Provisions have been made so that forged tow hooks (P/No 6125 or 6126 available from ARB stores) can be fit. If fitting these tow-hooks, place one tow hook packer between the bull bar and each hook.

ONCE BAR IS FITTED:

- ◆ Ensure all bolts are tensioned correctly
- ◆ All wiring is clear of sharp edges or moving surfaces and secured properly
- ◆ Piping is secured well away from sharp or moving components
- ◆ Check operation of winch if fitted
- ◆ Check all wiring and connections to turn signal lamps, sensors, headlamp washers etc. are functioning correctly.

FITTED PRODUCT

