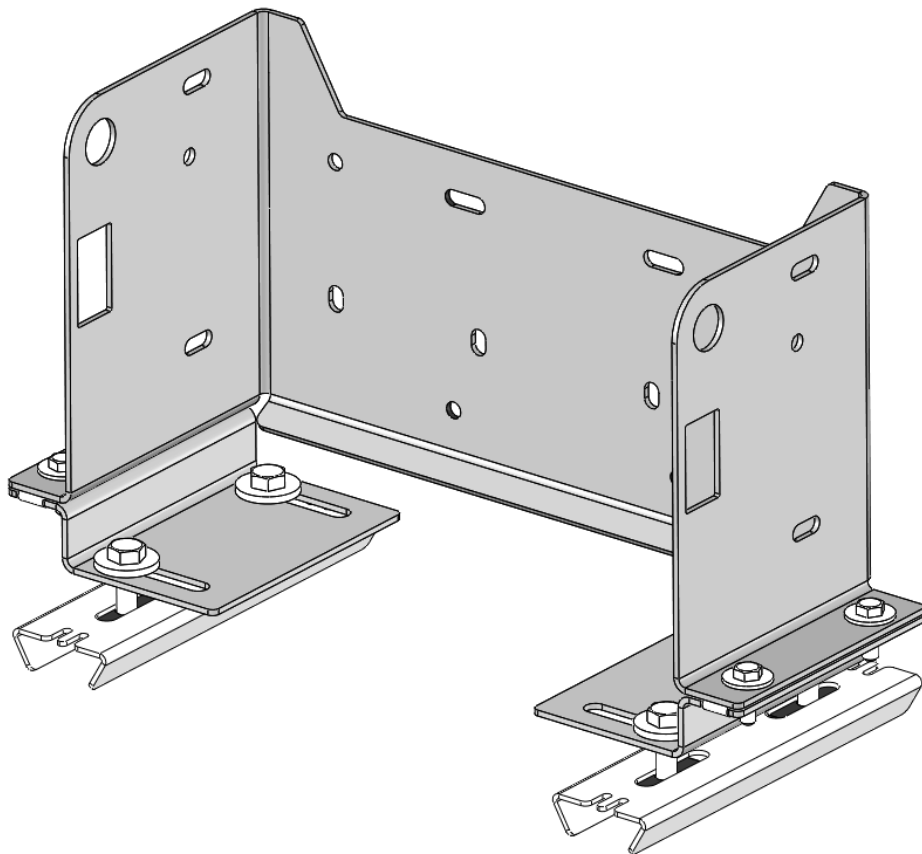




UNIVERSAL COMPRESSOR BRACKET

INSTALLATION GUIDE

3501010



No liability is assumed for damages resulting in the use of the information contained herein.
ARB Air Locker Air Operated Locking Differentials, ARB Air Locker Air Activation System
and Air Locker are trademarks of ARB Corporation Limited.
Other product names used herein are for identification purposes only and may be trademarks of their
respective owners.

ARB 4x4 ACCESSORIES

Corporate Head Office

42-44 Garden St
Kilsyth, Victoria
AUSTRALIA
3137

Tel: +61 (3) 9761 6622
Fax: +61 (3) 9761 6807

Australian enquiries
North and South American enquiries
Other international enquiries

sales@arb.com.au
sales@arbusa.com
exports@arb.com.au

www.arb.com.au

Table of Contents

<i>INSTALLATION GUIDE</i>	1
ARB 4x4 ACCESSORIES	1
1 INTRODUCTION	4
1.1 Pre-Installation Preparation.....	4
1.2 Description.....	4
1.3 Kit Contents.....	4
1.4 Tool-Kit Recommendations.....	5
1.4.1 Tools.....	5
1.4.2 Supplies.....	5
1.5 Vehicle Preparation.....	5
2 INSTALLATION	6
2.1 Configuring the universal compressor bracket.....	6
3 COMPLETING INSTALLATION	14
3.1 Configuration Examples.....	14
3.2 Post-Installation Check List.....	20



1 Introduction

IMPORTANT:

To assure the highest level of planning and reliability goes into this installation, please read this guide in its entirety before attempting any modifications to the vehicle.

1.1 Pre-Installation Preparation

Although your *ARB Air Compressor Bracket* comes complete with all the step by step instructions you will need to install it, ARB recommends that you have your ARB Air Compressor installed by a trained professional. Many ARB distributors around the world have been fully instructed in *Air Compressor* installations by ARB, and have gained a wealth of experience and skill from years of performing similar installations.

Make sure your *Air Compressor Bracket* kit is the correct model for your application and that it contains all of the parts listed in section 1.3 below. Also, be sure you have appropriately equipped yourself with all the necessary tools, parts, materials and knowledge to complete this installation and minimize vehicle down time (see section 1.4 *Tool-Kit Recommendations*).

Please refer to your ARB Compressor and Air Locker Operating & Service Manuals for information on operating, servicing, driving technique, or trouble shooting your ARB Air Locker(s) if installed.

HINT: Place a mark inside each of the symbols as you complete each step. It is very important NOT to miss any of the steps!

1.2 Description

The Universal Compressor Bracket enables the installation of a CKSA, CKMA, CKMTA and 4L Air Tank, with optional Air Locker Solenoids, Quick Connect Coupling, Switch, Manifold Kit (CKMTA only) and ARB LINX PRV in various mounting positions.

1.3 Kit Contents

- 1 X 3752440 BRACKET COMPRESSOR MOUNT
- 2 X 3752441 BRACKET MOUNT BASE
- 1 X 6177427 F/KIT 3501010 BRKT
 - 12 X 4584327 WASHER FLAT M6x16x1.2
 - 8 X 6151402 BOLT HXHD M6x1.0x16
 - 8 X 6151223 NUT HEX NYLOC M6x1.0
 - 4 X 6151083 BOLT HXHD M8x1.25x35
 - 4 X 3195064 PLATE PACKER 3MM
 - 4 X 4581063 WASHER FLAT M8x25.4x3
 - 1 X 3789951 F/INST 3501010 BRKT (*THIS DOCUMENT*)
 - 4 X 6151261 NUT U M6x1.0
 - 2 X 6582500 PLATE CLAMP
 - 4 X 3195057 ASSY NUT PLATE
 - 4 X 4581072 WASHER FLAT M6x20x1.6
 - 4 X 6151180 BOLT HXHD M6x1.0x20



1 Introduction

1.4 Tool-Kit Recommendations

Below is a list of tools and supplies recommended to complete this installation.

1.4.1 Tools

- Standard automotive sizes of sockets including; 10mm,13mm
- 9.0mm drill bit
- Electric or cordless drill.
- Combination ring/open ratchet wrenches; 10mm x2 (for compressor mount screws/nuts), 12mm (for Air line Elbows if installed), 14mm x2 (for hose connections)
- Ratchet & short extension
- Alan keys; 3mm (CKSA), 4mm (CKMA & CKMTA), for adjusting compressor body mount.
- Screwdrivers; No.2 Phillips & Small flat
- Torque Wrench 5 to 100Nm range
- A razor knife to cut the carpet (if fitting Air Locker lines through the OE plug in the floor)
- A leak test gauge (i.e., ARB# ALTG01).
- A multimeter
- A soldering iron.

1.4.2 Supplies

- Thread lubricant/sealant compound for pressure fittings (e.g., LOCTITE #567 Teflon paste or plumbing supply Teflon tape)
- A soap and water mixture to test for air leaks.
- Electrical tape.
- Teflon Tape
- Solder and/or automotive crimp fittings.
- Silicon sealant (to seal area around Air Locker lines if installed)

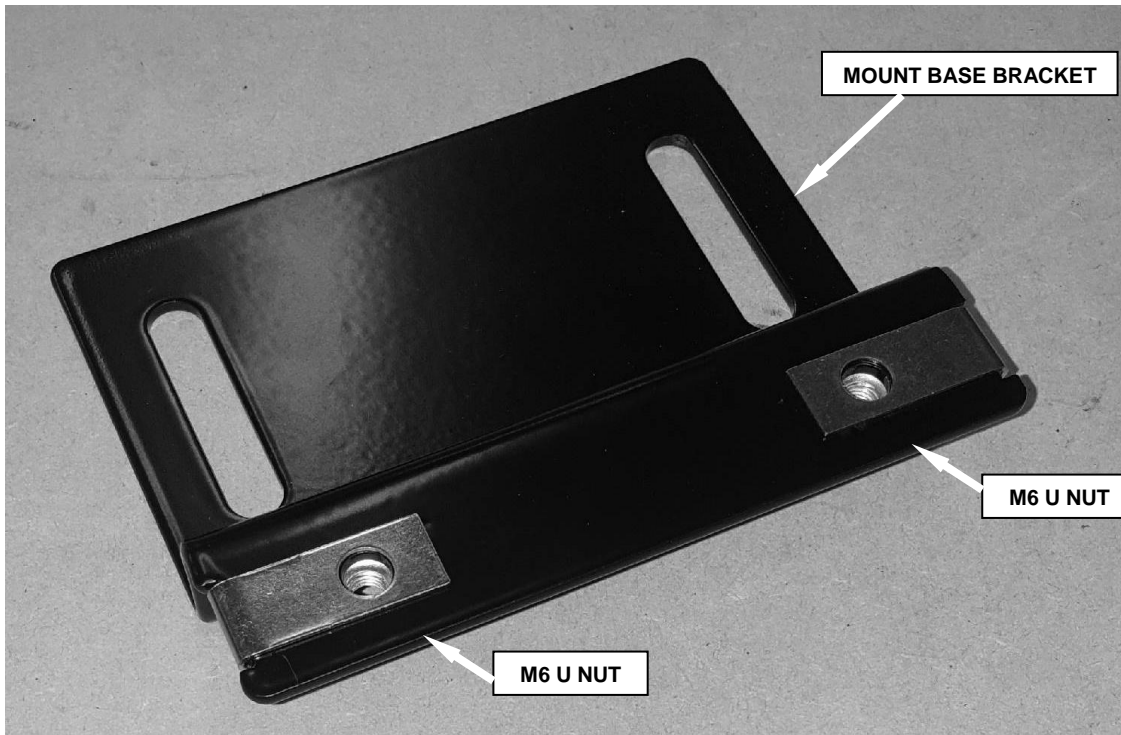
1.5 Vehicle Preparation

A manufacturer's service manual and optional ARB operation & Installation manuals should be used in conjunction with these instructions.

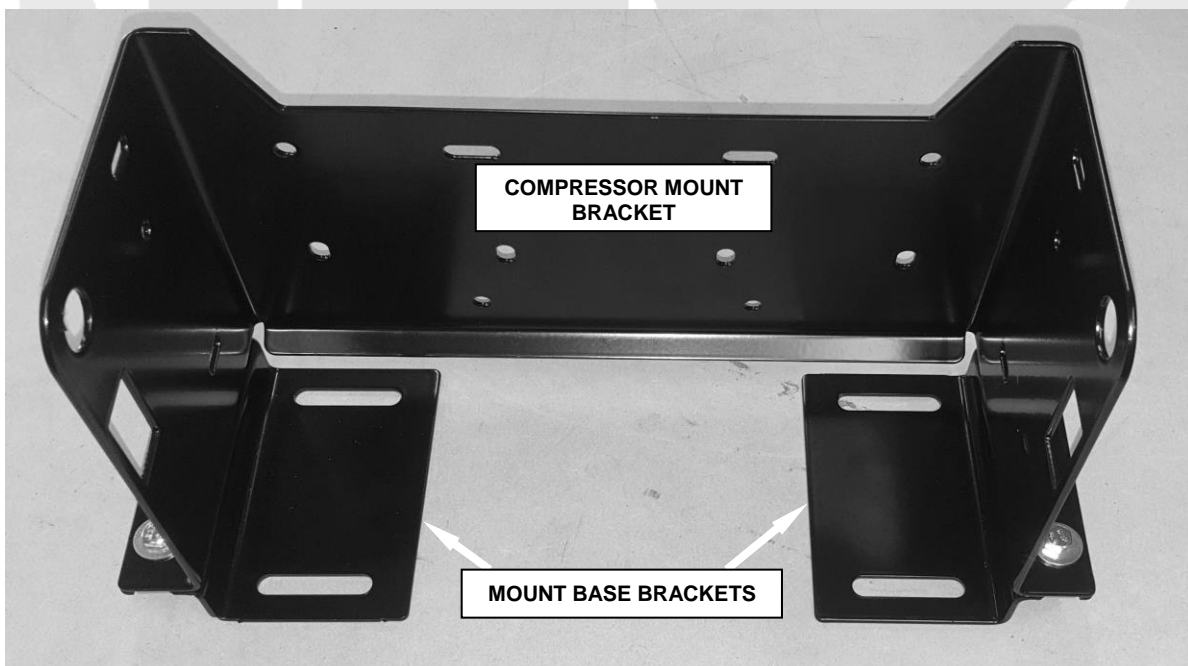
2 Installation

2.1 Configuring the universal compressor bracket

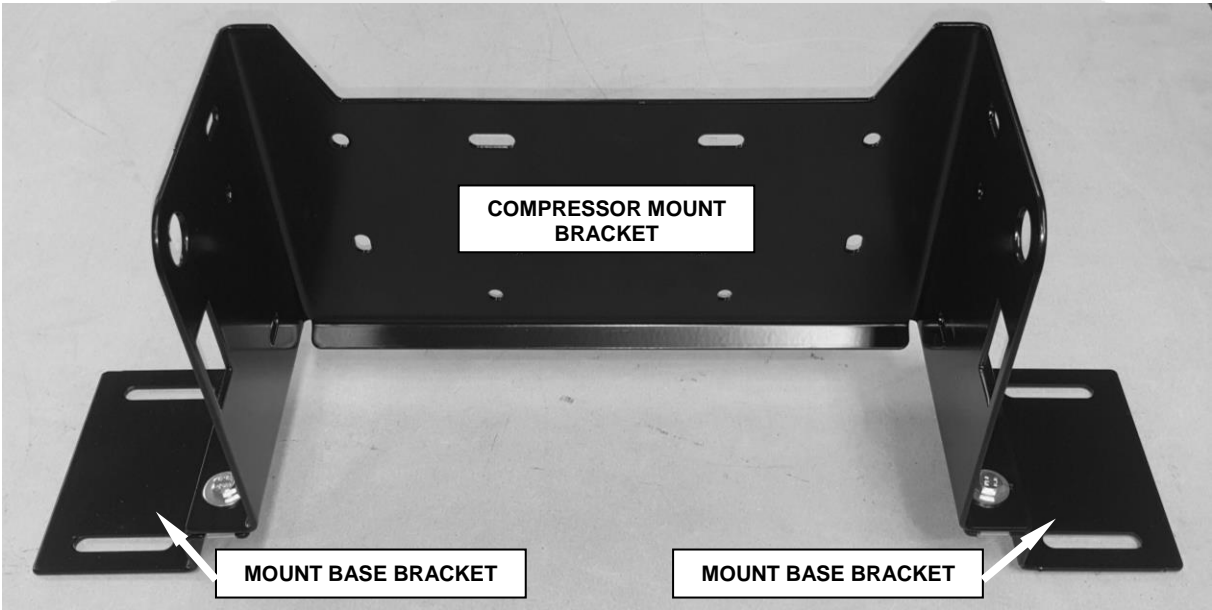
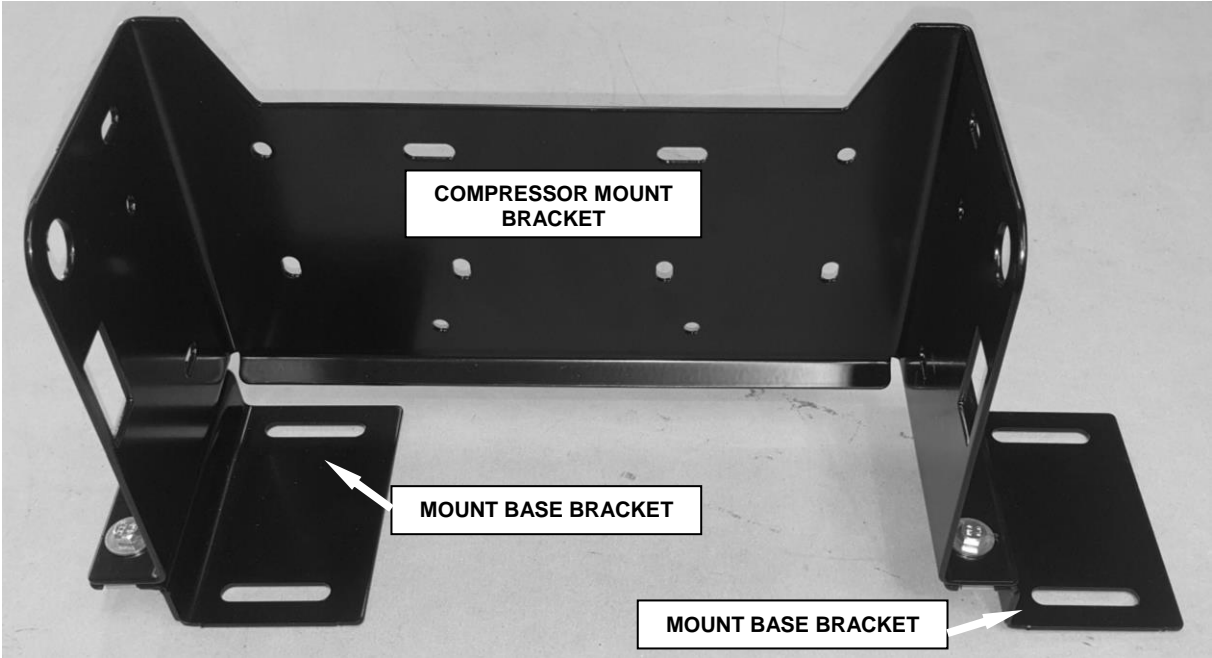
- Install 2 x M6 U Nuts to each of the bracket mount bases as shown below.



- Attach the mount base brackets to the compressor mount bracket using 4 X M6 X 20 HXHD bolts and 4 X M6 X 20 X 1.6mm flat washers, do not fully tighten at this stage. Note the orientation of the mount brackets is determined by the fitting location and the suitability of the mounting surface. The photos below show examples of combinations for fitting the mounting brackets.

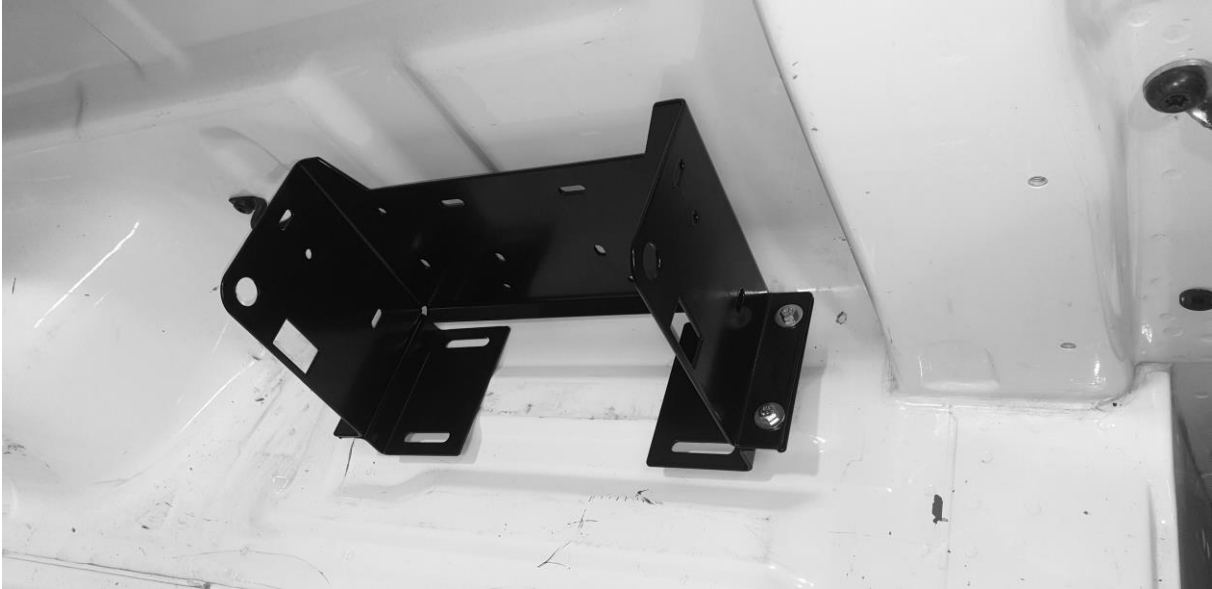


2 Installation

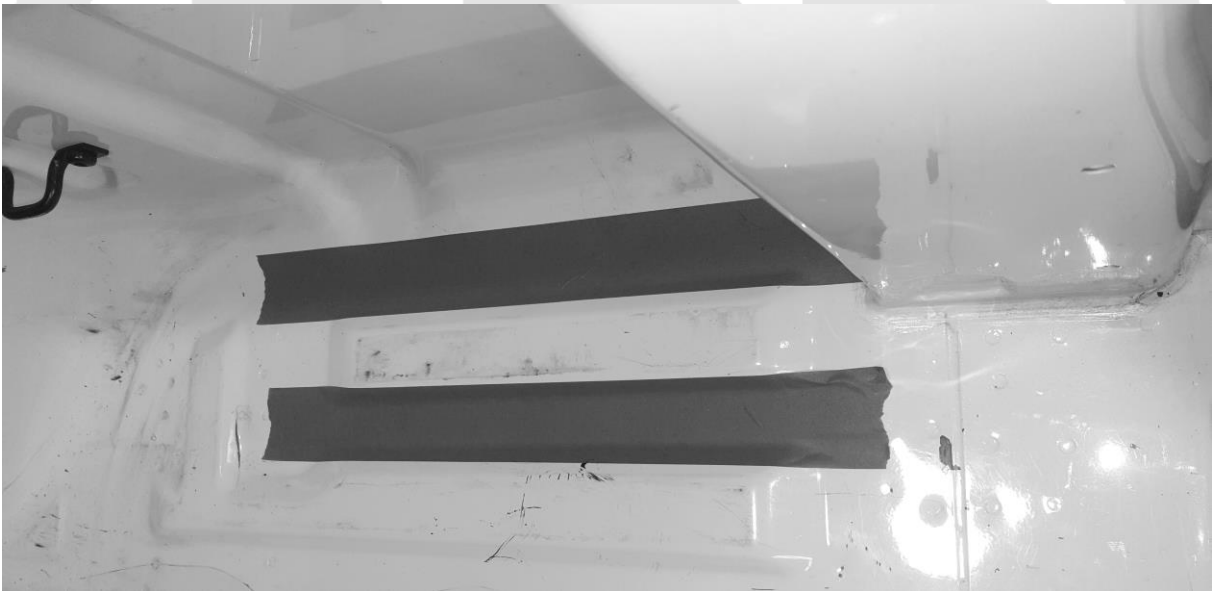


2 Installation

- Select a suitable location for the mounting of the universal compressor bracket. The following instructions describe the method of installing the universal compressor bracket to a Ute tub with both mount base brackets pointing inwards.



- When location has been selected apply some masking tape to enable marking of the hole positions.



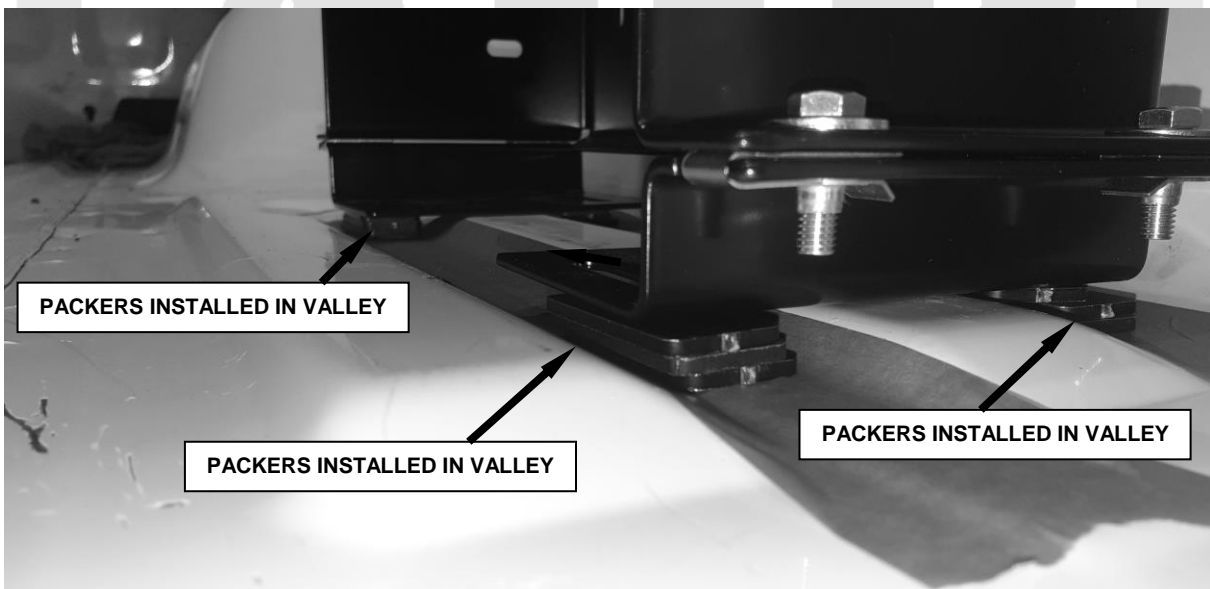
- If mounting to a ribbed surface use the packers supplied with the kit to fill the space between the bracket mount base and mounting surface.
- Set the packer height to be slightly lower than the gap to ensure a tight joint when the mounting bolts are tightened.

2 Installation

- Break apart packers to create 4 individual packers from each strip.



- Place the packers in valleys and position universal compressor mount in the required location. Use the holes in packers as a guide to mark hole positions.

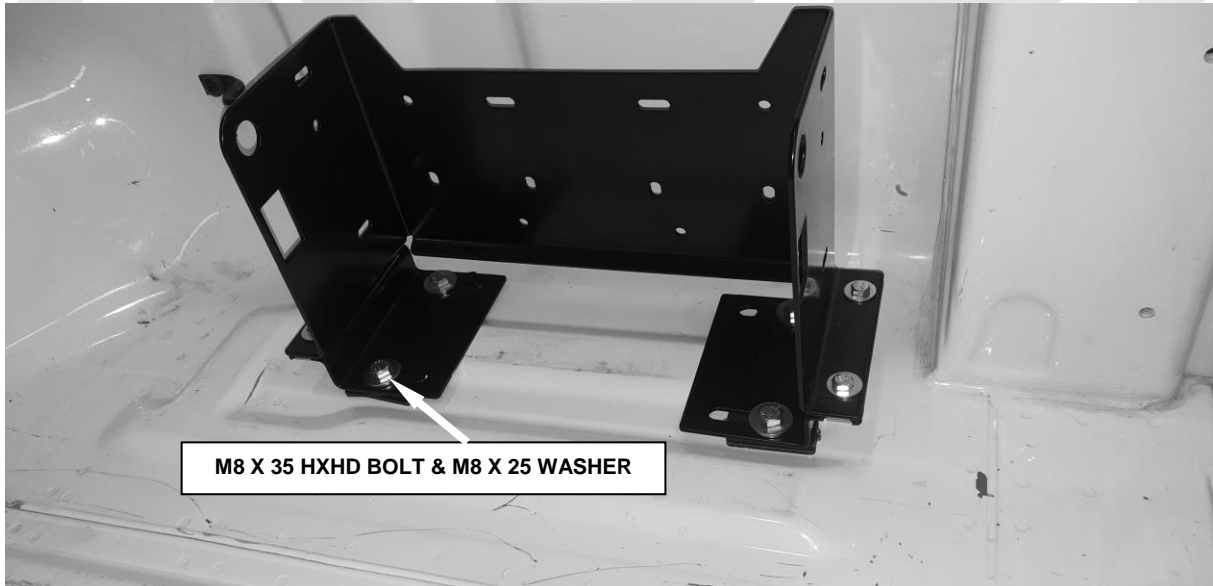


2 Installation

- Pilot drill the 4 mounting holes with smaller drill e.g. 3 or 4mm.
- Drill all 4 mounting holes using Dia 9mm drill
- Deburr the 4 mounting holes and treat the drilled edge with rust preventative.

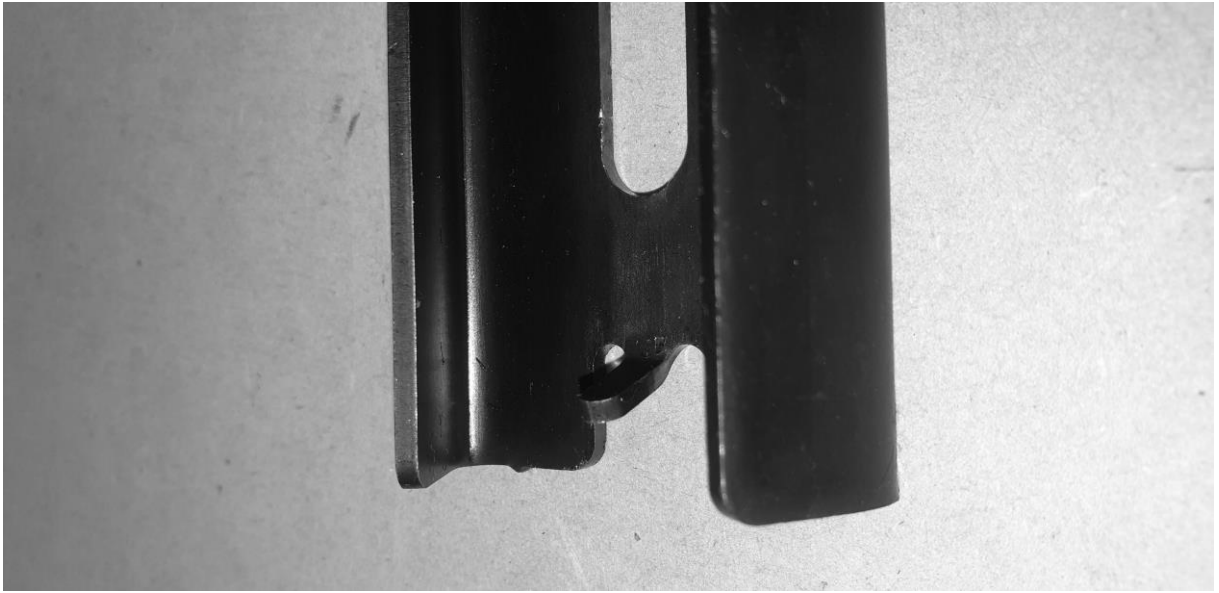


- Place universal compressor back to mounting position and place packers in positions used when marking out mount holes
- Fit 4 X M8X35 HXHD bolts and M8X25 washers through the mounting holes

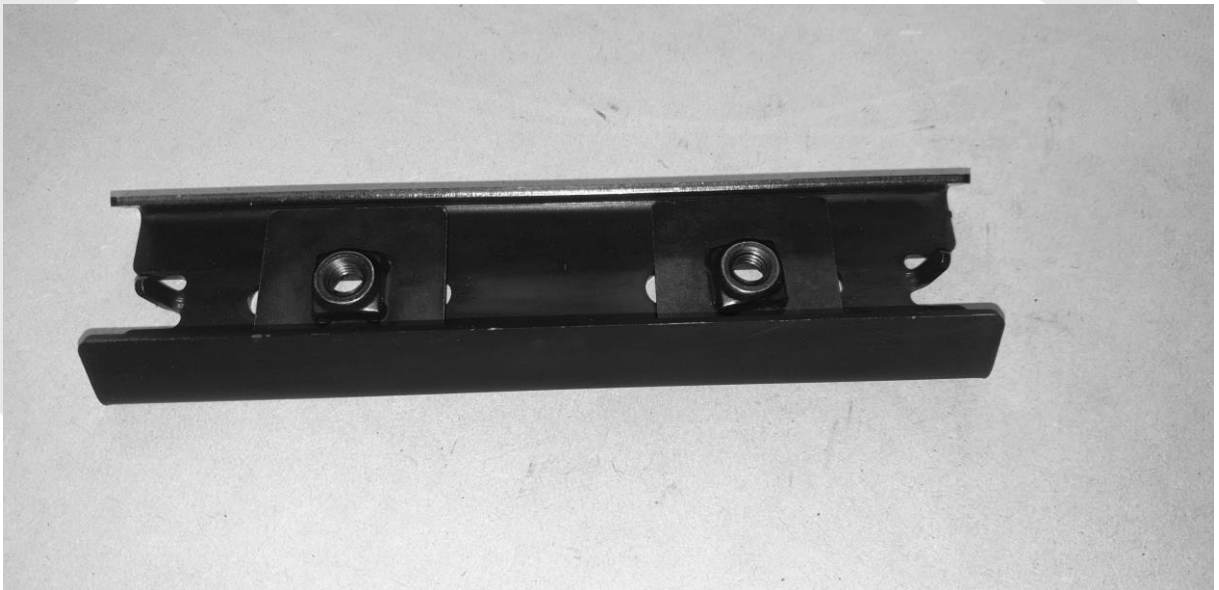


3 Completing Installation

- To Prepare clamp plates, bend up tab on one end only of each clamp plate.



- Insert 2 nut plates into each clamp plate
- After inserting the nut plates into each clamp bend up the remaining tab on each clamp plate



3 Completing Installation

- With the aid of an assistant install each clamp plate as shown. If there is a valley, install packers ensuring that the M8 X 35 HXHD bolt passes through each of the packers. The height of the packer should be slightly less than the depth of the valley to ensure a tight joint is achieved.
- Once both clamp plates are installed check clearances and tighten the M8 fasteners to 22Nm [16lb.ft]



3 Completing Installation

- Once the mount base brackets are secured the compressor mount bracket can be removed to allow the easy fitment of compressor and accessories



- After the accessories have been fitted re-attach the assembled compressor mount to the feet using 4 X M6 X 20 HXHD bolts and 4 X M6 X 20 X 1.6mm flat washers and tighten the M6 fasteners to 9Nm [7lbf.ft]

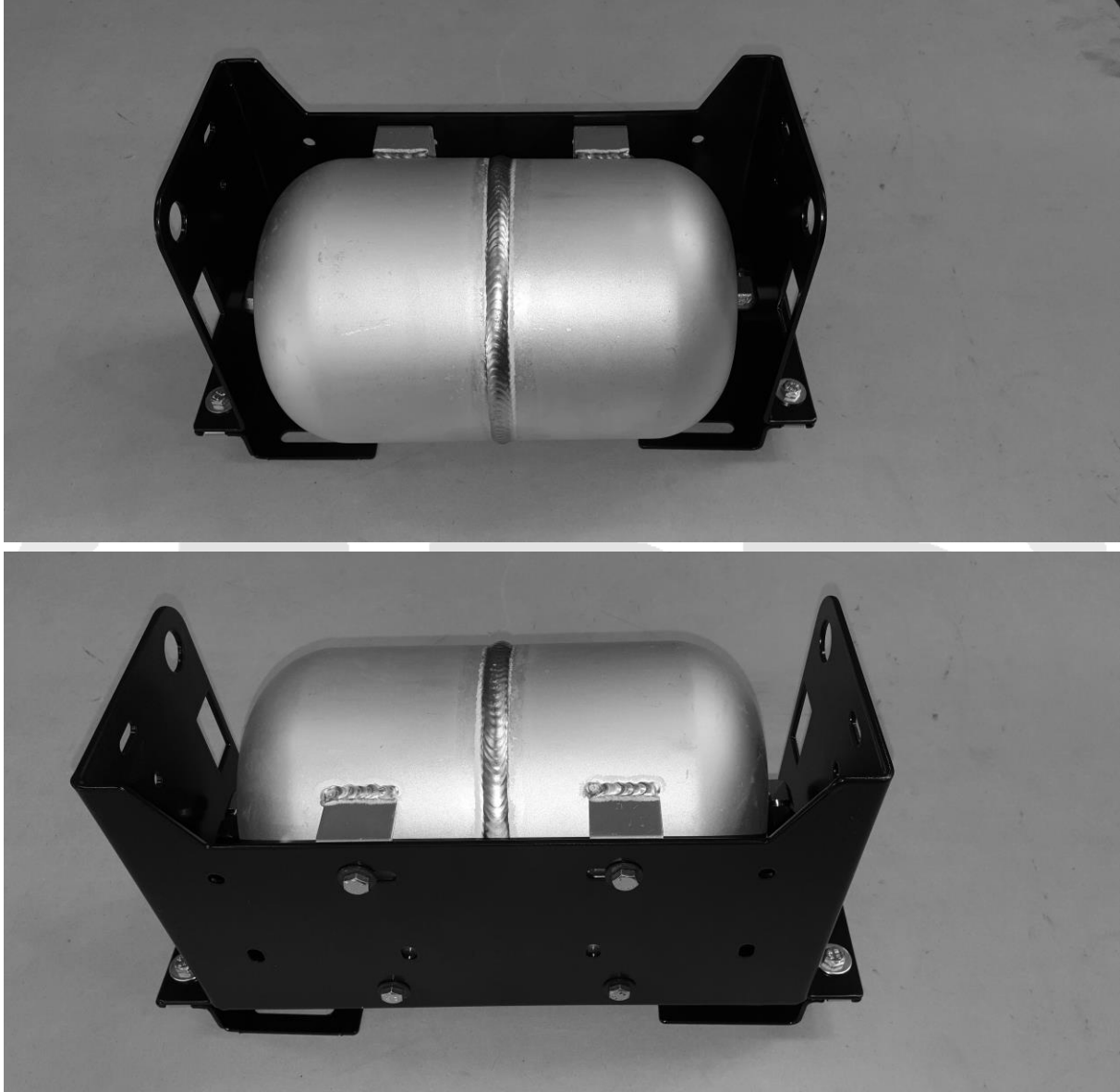


3 Completing Installation

3.1 Configuration Examples

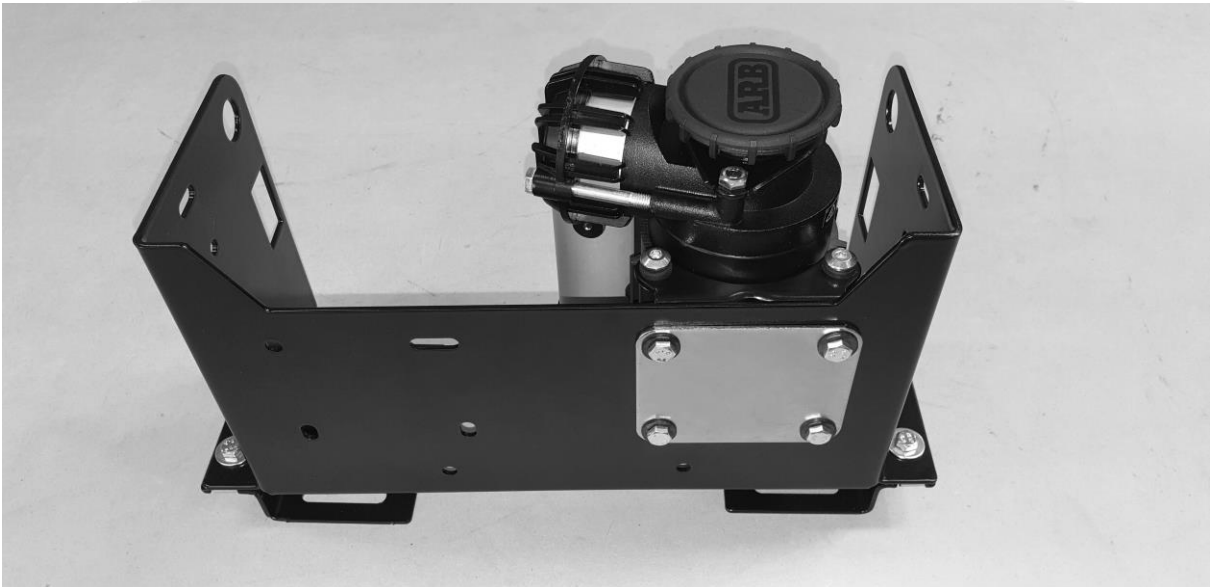
Below are images of various configurations that can be used with the universal compressor mount. Extra fasteners are supplied with the universal compressor mount to allow for fitting of the various accessories.

1. Tank Mount



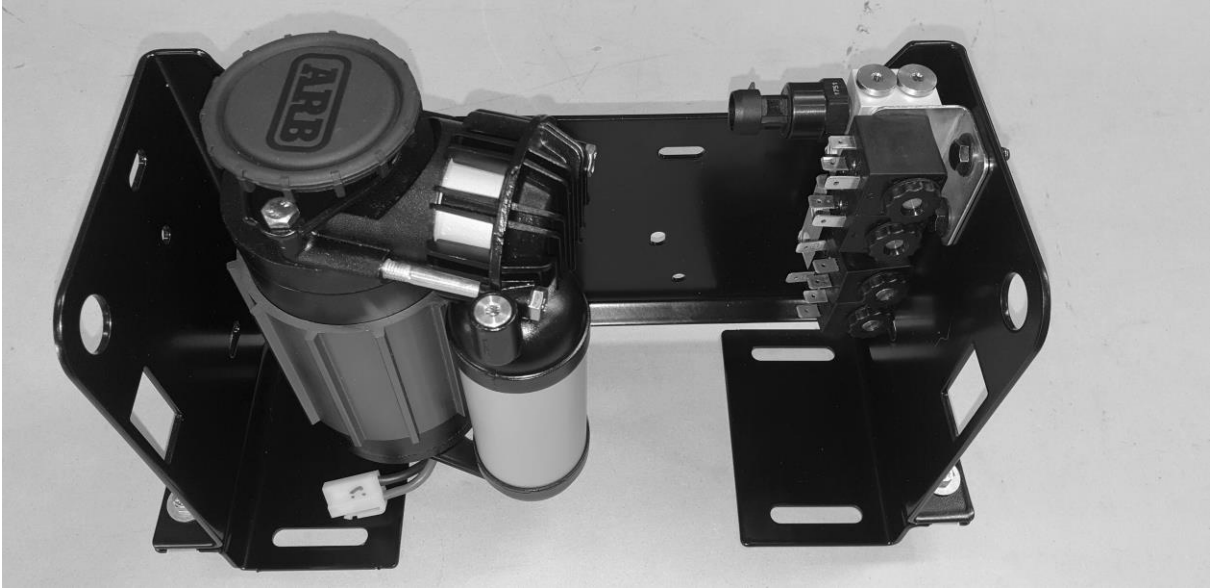
3 Completing Installation

2. CKMA Compressor

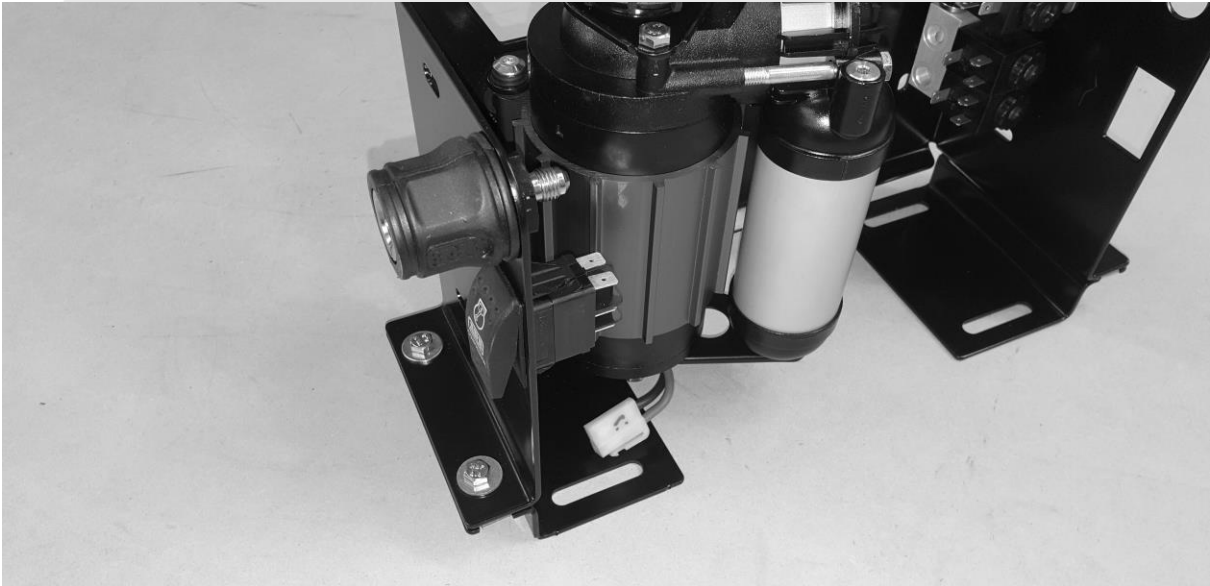


3 Completing Installation

3. CKMA Compressor with ARB LINX PRV



4. CKMA Compressor with ARB LINX PRV, Compressor Switch and quick connect coupling



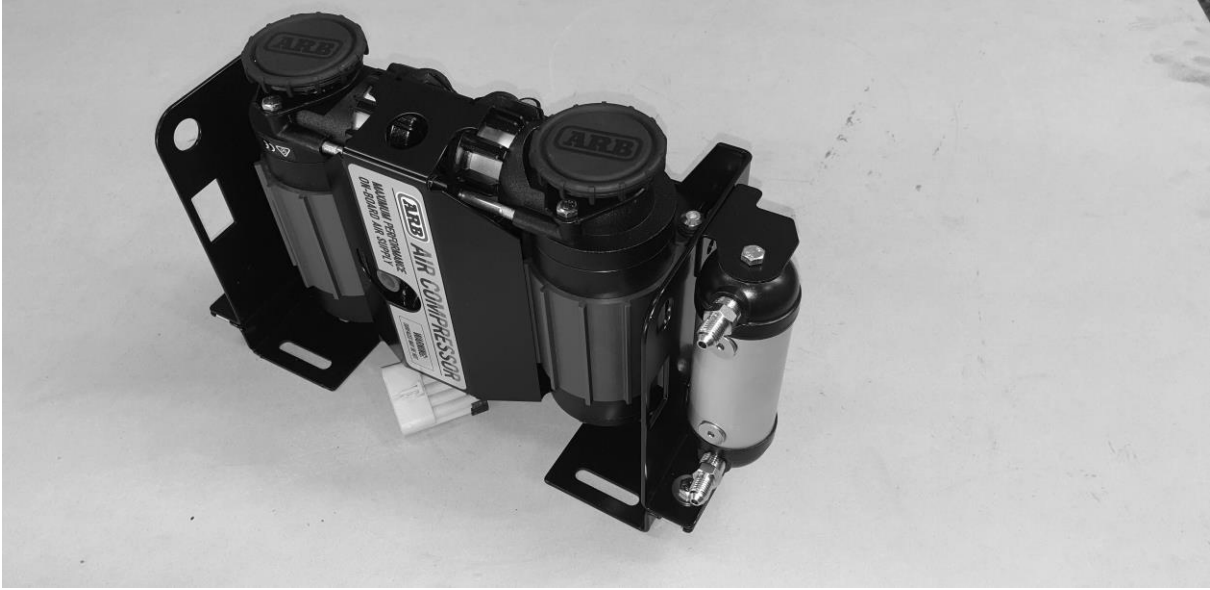
3 Completing Installation

5. CKMTA Compressor



3 Completing Installation

6. CKMTA Compressor with manifold kit



3 Completing Installation

7. CKMTA Compressor, manifold kit and ARB LINX PRV



8. CKMTA Compressor, manifold kit ,ARB LINX PRV, Compressor Switch and quick connect coupling



3 Completing Installation

3.2 Post-Installation Check List

Now that the compressor installation has been completed, ARB recommends that you take the time to complete the following check list just to ensure that you haven't missed any of the vital steps.

- The air system has been leak tested.
- The air filter position will not be exposed to moisture, dust or dirt.
- All air lines and wiring have been securely cable tied to resist snagging.
- Switch(es) have been securely mounted within operator reach, yet well away from danger of accidental engagement.
- Switch(es) function properly and illuminate to indicate activation.

For warranty and service purposes, please fill in the following fields and supply a copy to the customer (if applicable).

ARB PRODUCT MODEL NUMBER: _____

SERIAL No: _____

POINT OF SALE (NAME/LOCATION): _____

DATE OF PURCHASE: _____

INSTALLATION PERFORMED BY: _____

DATE OF INSTALLATION: _____

VEHICLE MAKE: _____

VEHICLE MODEL: _____

VEHICLE YEAR OF MANUFACTURE: _____

