

# SS741HFS

SAFARI V-SPEC SNORKEL  
 NISSAN D23 NAVARA (NP300)  
 2.3Ltr Intercooled Twin Turbo (YS23DDTT Engine)  
 Built: Nissan Motor Iberica, SA  
**NOTE: WIDE BODY VEHICLES ONLY**

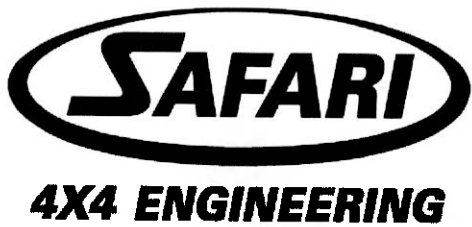


02/07/2018

## Parts List

ITEM	PART NO.	DESCRIPTION	QTY
1	435-133-100	BODY - SNORKEL (SS741HF)	1
2	000-135-800	3 1/2" AIR RAM ASSEMBLY	1
3	435-032-000	BRACKET - UPPER MOUNTING	1
4	000-002-100	BOLT - HEX - 6mm x 1.0 x 14mm (SEMS)	4
5	000-951-300	SCREW - S/T - 4.2mm x 16mm - S/S	5
6	000-960	INSERT - PLASTIC	3
7	000-131	STUD - 8mm x 1.25 x 25mm - S/S (GRUB SCREW)	6
8	000-311-300	WASHER - BODY - 8mm x 30mm - S/S	6
9	000-205-300	NUT - NYLOC - 8mm x 1.25mm - S/S	6
10	435-024-200	HOSE - AIR ENTRY	1
11	435-217-000	TEMPLATE - AIR CLEANER	1
12	435-025-000	PLATE - CLAMPING (upper)	1
13	435-025-100	PLATE - CLAMPING (side RH)	1
14	435-025-200	PLATE - CLAMPING (side LH)	1
15	435-025-300	PLATE - CLAMPING (lower)	1
16	000-958-175	POP RIVET - 4mm x 17mm	10

17	000-958-750	POP RIVET - 4mm x 20mm (Splade)	4
18	000-300-350	WASHER - BODY 4mm x 12mm S/S	7
19	435-959-000	CAP - AIR INLET BLANK-OFF	1
20	000-906	CLAMP - HOSE - 50/70mm - S/S	1
21	000-908	CLAMP - HOSE - 70/90mm - S/S	1
22	435-089-000	BRACKET - ECU RELOCATION	1
23	435-089-100	BRACKET - ECU SUPPORT	1
24	435-089-275	BRACKET - IDLE CONTROL MODULE RELOCATION	1
25	000-002	BOLT - HEX - 6.0mm x 1.0mm x 16mm - (Zinc)	2
26	000-003	BOLT - HEX - 6.0mm x 1.0mm x 20mm - (Zinc)	3
27	000-004	BOLT - HEX - 6.0mm x 1.0mm x 25mm - (Zinc)	4
28	000-310-100	WASHER - BODY 6.0mm x 15mm - (Zinc)	20
29	000-204	NUT - NYLOC - 6.0mm x 1.0mm - S/S	5
30	000-1022-300	BOLT - B/H CAP SCREW - 5.0mm x 0.8 x 16mm - S/S	1
31	000-320-350	WASHER - BODY - 5.0mm x 15mm - S/S	2
32	000-221-300	NUT -NYLOC - 5.0mm x 0.8mm - S/S	1
33	000-958-300	POP RIVET - 4.8mm x 12mm	1
34	000-914/B	CLAMP - HOSE SIZE 56 (BLACK)	1
35	435-017-300	TEMPLATE - INNER GUARD	1
36	435-017-100	TEMPLATE - GUARD PANEL	1
37	435-217-800	TEMPLATE - WASHER BOTTLE RESEVOIR - INNER	1
38	435-217-900	TEMPLATE - WASHER BOTTLE RESEVOIR - OUTER	1
39	435-959-200	CAP - WASHER BOTTLE RESEVOIR BLANK-OFF	1



# SS741HFS

SAFARI V-SPEC SNORKEL  
NISSAN D23 NAVARA (NP300)  
2.3Ltr Intercooled Twin Turbo (YS23DDTT Engine)  
Built: Nissan Motor Iberica, SA  
**NOTE: WIDE BODY VEHICLES ONLY**

## Installation Guide

### Fitment to:

- Right Hand Side

### Fitting Time:

- 210min

### Special Tools:

- Body Saw (reciprocating)
- Step drill
- Masking Tape
- Grinder / Files
- Pop Rivet Gun
- Loctite 243 (thread lock)
- Touch-up paint
- Wurth Bond + Seal Power (Art No: 0893 2353) or Sikaflex 227 Adhesive Sealant

**Prior to commencing the installation, it is the installer's responsibility to verify that all components and particularly the template (Item 35 & 36) are correct.**

**1**

Disconnect the negative battery terminal.

Remove the following in accordance with the factory service manual:

- RHS mud flap
- RHS Inner guard liner
- Air cleaner assembly
- Washer Bottle Assembly
- ECU & Idle Control Module
- Air Cleaner Mounting Bracket
- Earth Cable

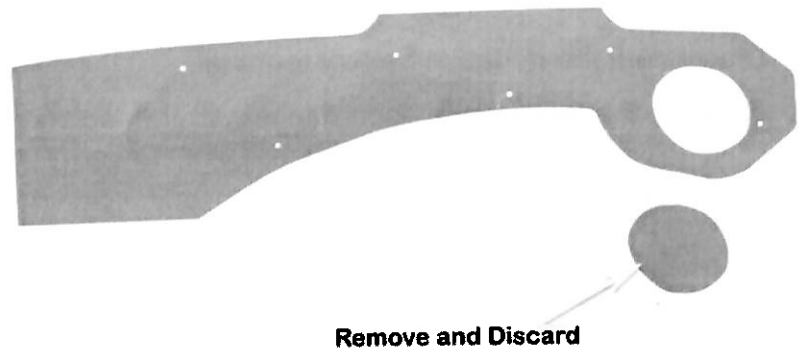
Remove and discard:

- Air intake Duct & rubber seal
- ECU Mounting Bracket
- Idle Control Module Mounting Bracket

**Remove & Discard**



Remove and discard the perforated section from the guard panel template (item 36) as shown.



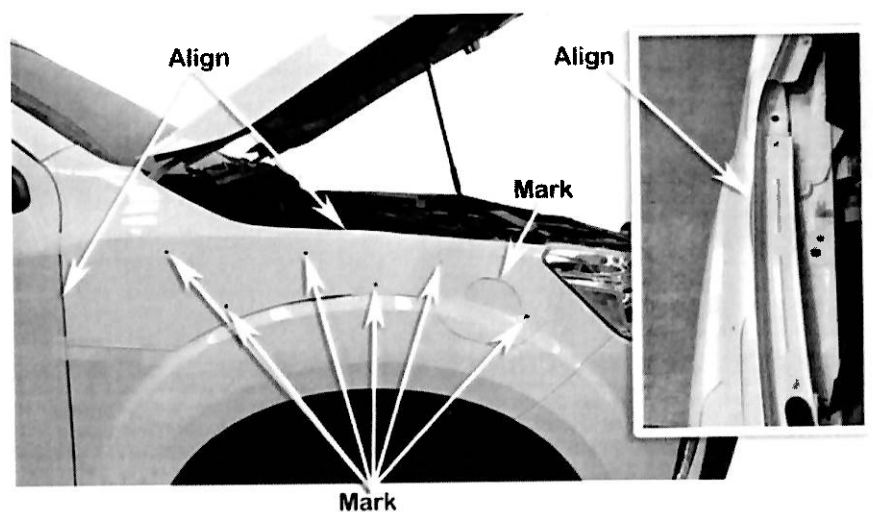
**Remove and Discard**

Align the guard panel template (item 36) to the upper and rear edges of the right hand guard panel as shown.

Tape the template to the guard with masking tape.

Mark all hole position and the snorkel body outlet hole with a felt tip pen.

Remove the template.



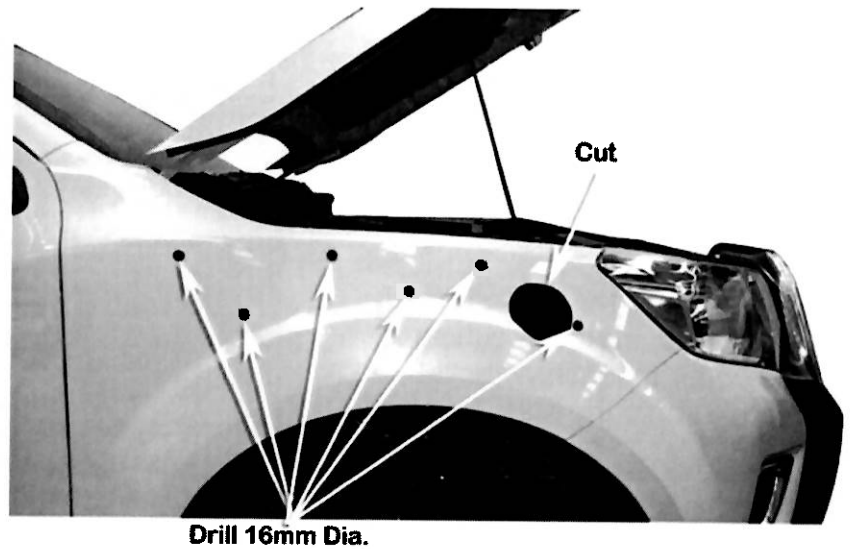
5

Drill a pilot hole for each marked hole position.

Use a step drill to drill the six mounting hole positions to 16mm diameter.

Using the body saw, cut the snorkel body outlet hole in the guard panel.

Deburr and paint holes to prevent rust.

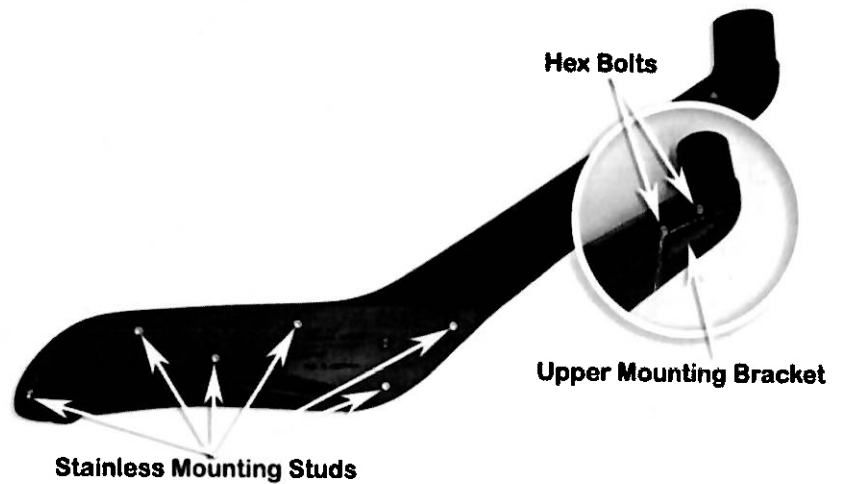


Drill 16mm Dia.

6

Install the upper mounting bracket (item 3) to the snorkel body (item 1) with hex bolts (item 4).

Apply Loctite 243 to each of the stainless steel mounting studs (Item 7), using a 4mm Allen key install the studs finger tight into the snorkel body (item 1) mounting inserts.



Stainless Mounting Studs

Hex Bolts

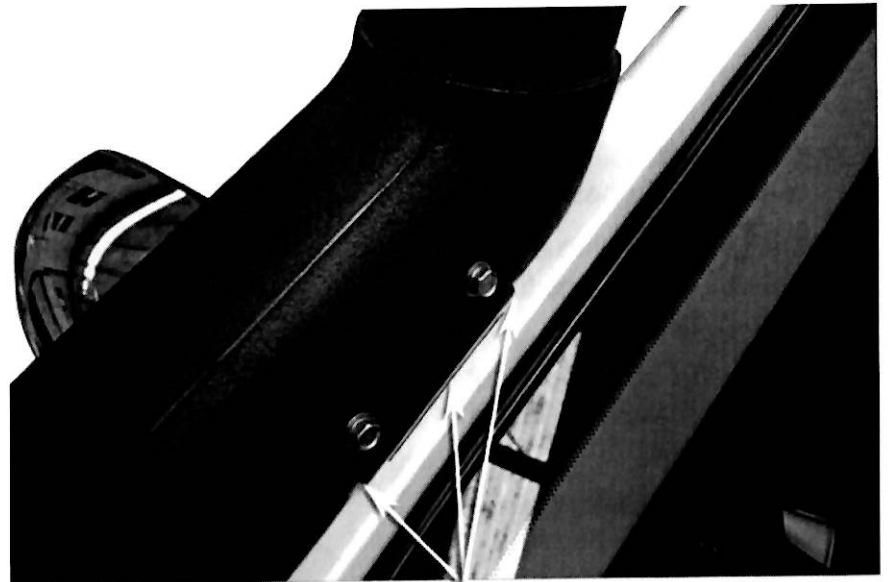
Upper Mounting Bracket

7

Place a strip of masking tape along the A-Pillar panel.

Carefully install the snorkel body (Item 1) to the guard panel.

With the snorkel body correctly positioned, mark the outline of the upper mounting bracket (Item 3) onto the masking tape.



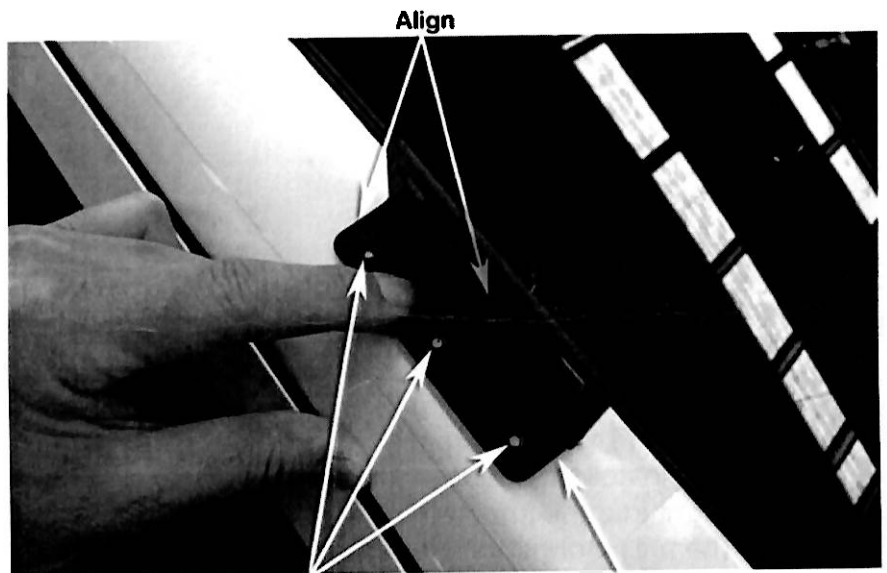
Mark

8

Remove the snorkel body (Item 1) from the vehicle and remove the upper mounting bracket (Item 3) from the snorkel body.

Position the upper mounting bracket onto the A-Pillar and align the bracket with the marked bracket outline.

Mark the three mounting hole positions with a felt tip pen.



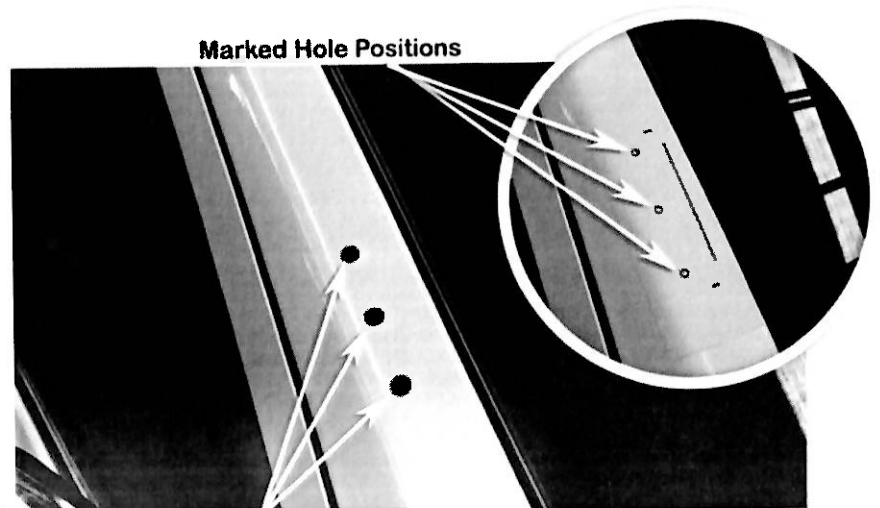
Mark

Align

9

Drill a pilot hole at each of the three marked hole positions. Drill each hole position to 8mm diameter with a step drill or 8mm drill bit.

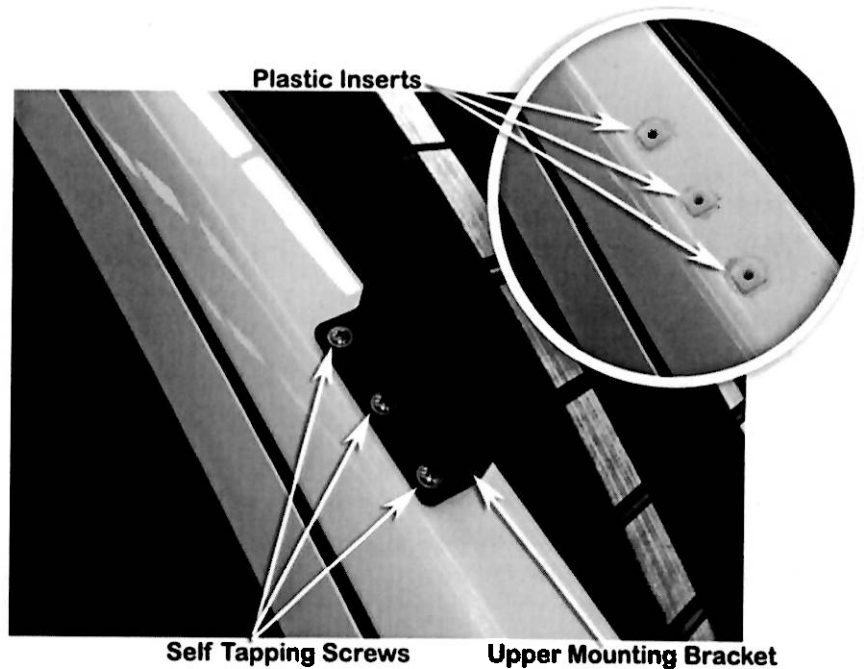
Deburr and paint holes to prevent rust.



Drill 8mm Dia.

Install the plastic inserts (Item 6) into the 8mm diameter holes in the A-pillar.

Secure the upper mounting bracket (Item 3) to the A-pillar with three stainless steel self-tapping screws (Item 5).

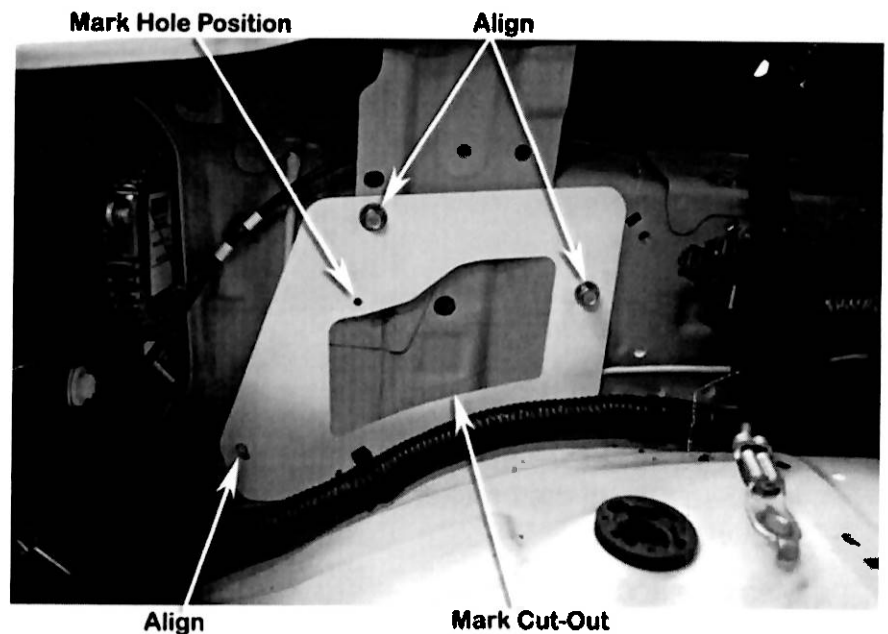


Align the inner guard template (item 35) onto the lower left hand stud and the two M6 captive nuts as shown.

Attach the template using two 6mm bolts.

Using a felt tip pen, mark the inner guard cut-out onto the inner guard panel and the hole position as shown.

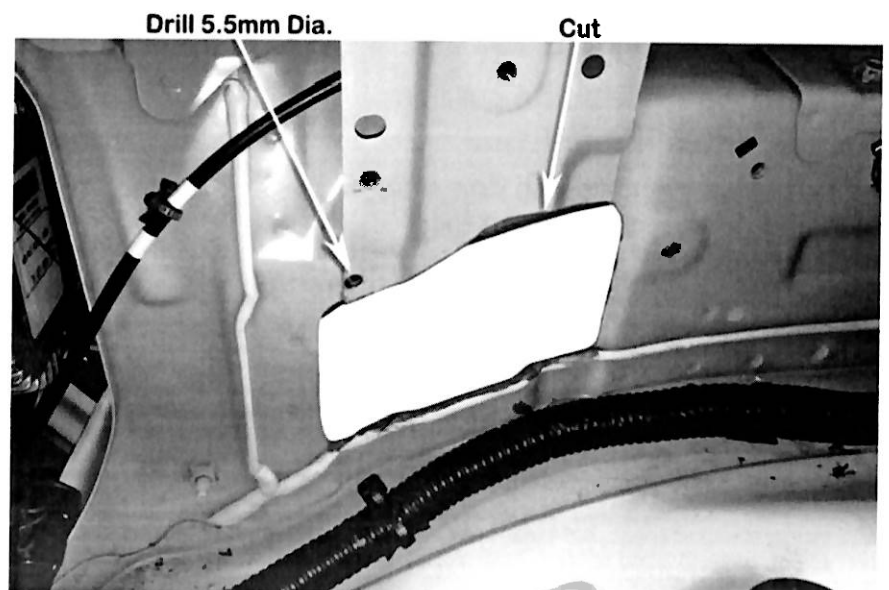
Remove the template.



Using the body saw, cut the hole in the inner guard panel as shown.

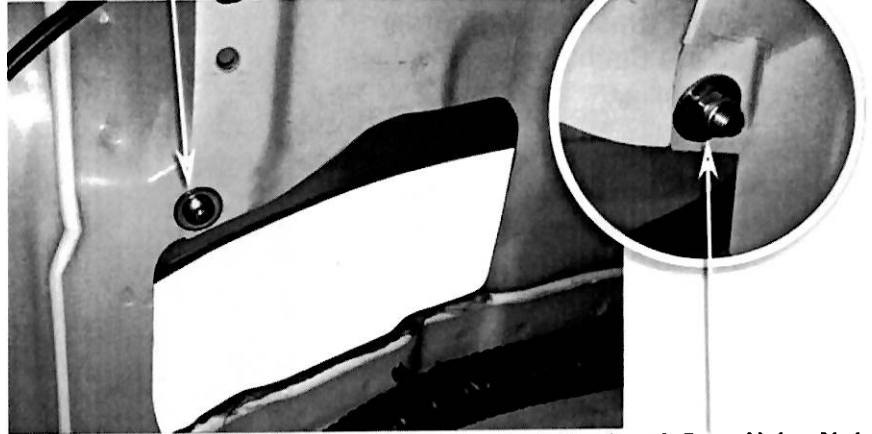
Drill a pilot hole for the marked hole position, drill the hole to 5.5mm diameter in the inner guard panel.

Deburr and paint the cut inner guard panel hole and the 5.5mm hole to prevent rust.



Install a 5.0mm body washer (item 31) onto the 5.0mm x 16mm button head cap screw (item 30), install the bolt with washer installed through the 5.5mm hole drilled in the inner guard panel, install a 5.0mm body washers (item 31) and a 5.0mm Nyloc nut (item 32), tighten the nyloc nut securing the panels together.

5mm B/H Bolt &amp; Body Washer



Body Washer &amp; 5mm Nyloc Nut

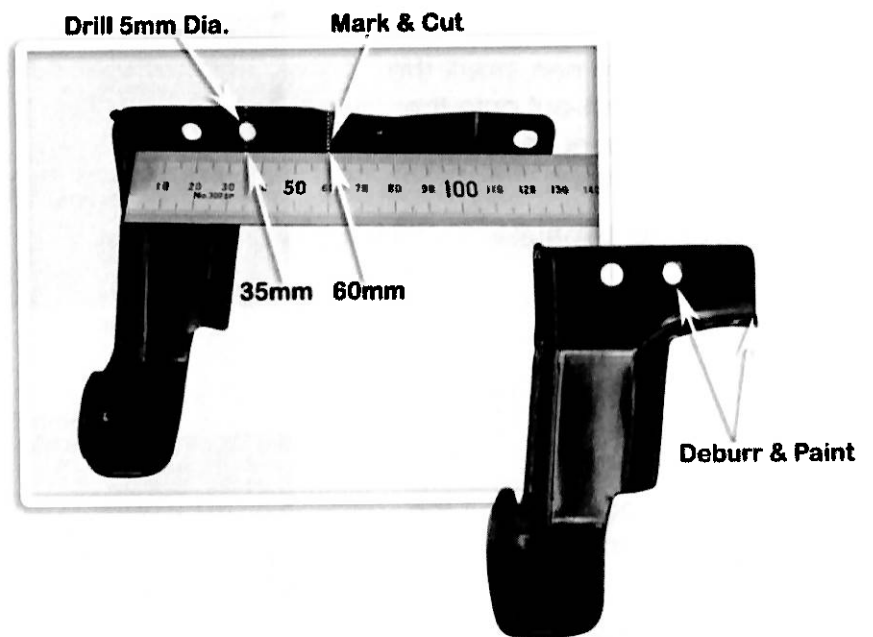
Measure and mark a line approximately 60mm down from the underside of the air cleaner mounting bracket.

Using a body saw, cut-off the lower section of the bracket as shown.

Measure and mark a hole position approximately 35mm down from the underside of the of the air cleaner mounting bracket as shown.

Drill the marked hole position to 5.0mm diameter.

Deburr and paint the hole and cut edge of the bracket to prevent rust.



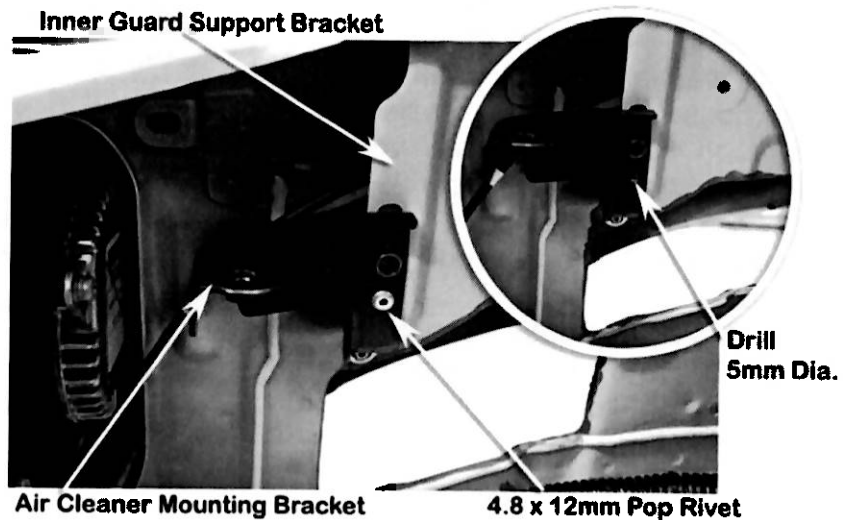


Install the air cleaner mounting bracket, fasten to the inner guard support bracket using the standard mounting bolt.

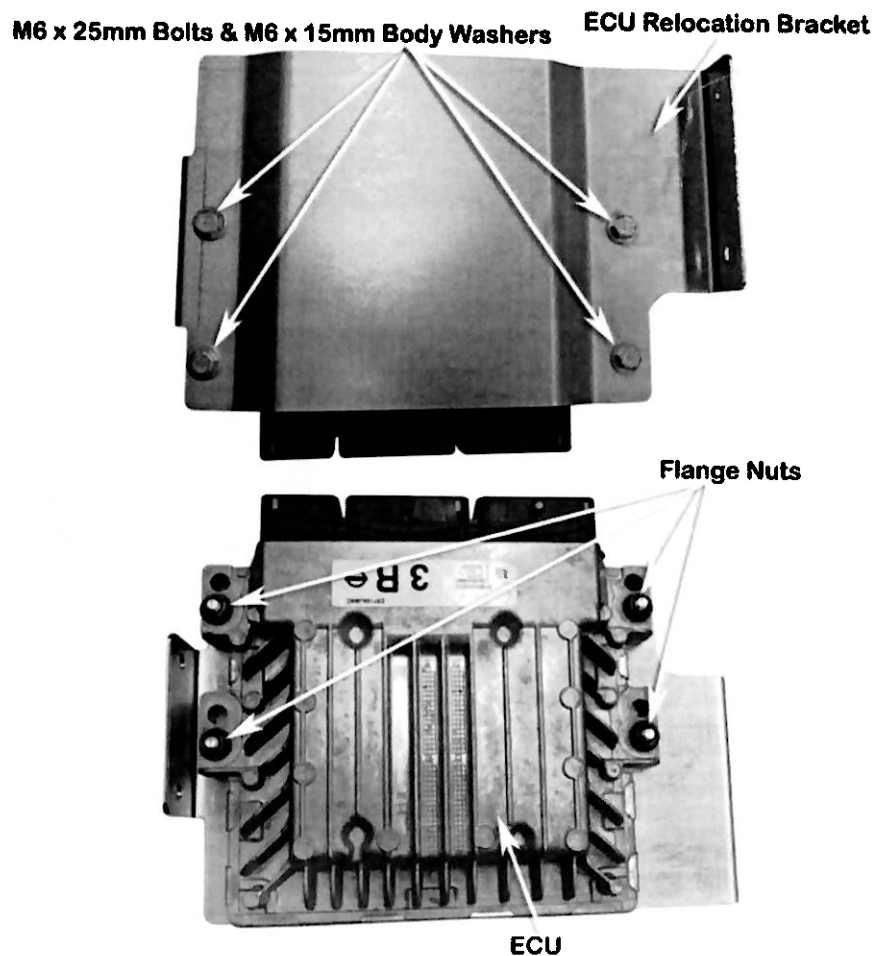
Using a 5.0mm drill bit, drill the new lower mounting hole through the air cleaner mounting bracket and inner guard support bracket.

Deburr and paint the 5.0mm hole.

Install a 4.8 x 12mm pop rivet (item 33) through the bracket and inner guard support bracket, using the pop rivet gun secure the pop rivet.



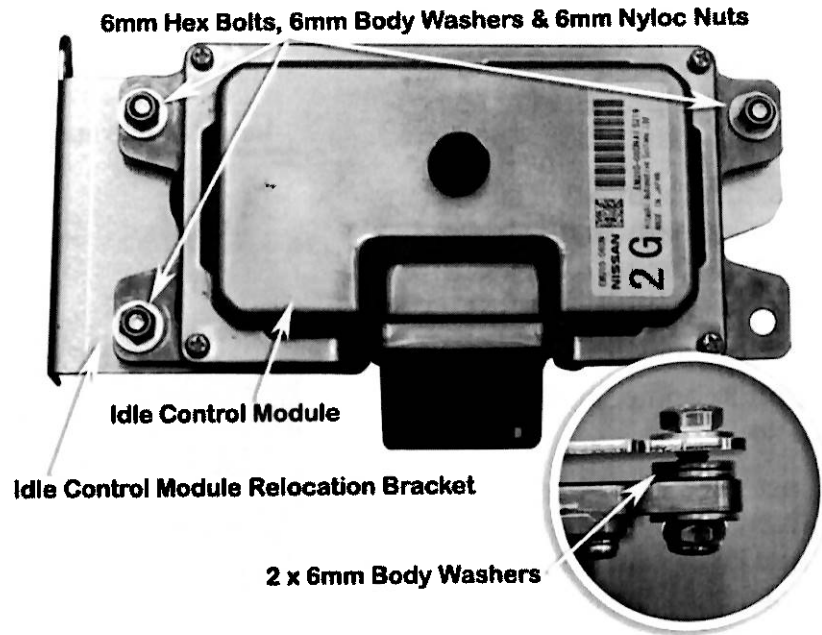
Assemble the ECU module to ECU relocation bracket (item 22) with four 6.0mm x 25mm hex bolts (item 27) and 6.0mm body washers (item 28), install the bolts with washers installed through the bracket and ECU. Install the four standard ECU flange nuts and tighten the four nuts.



Assemble the idle control module to the relocation bracket (item 24) with three 6.0mm x 20mm hex bolts, (item 26) and three 6.0mm body washers (item 28), install the bolts with washers installed through the bracket, install two 6.0mm body washers (item 28) to each of the bolts for spacers, install the idle control module.

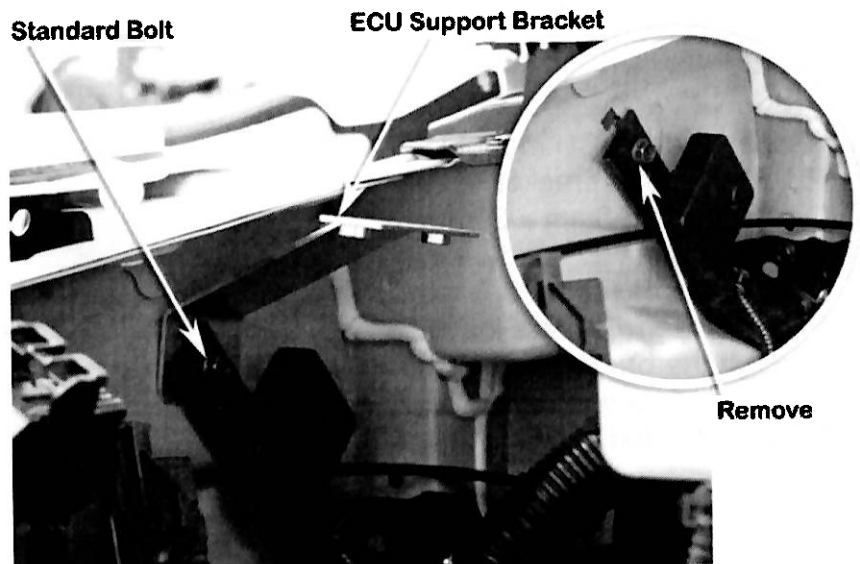
Install a 6.0mm body washer (item 28) and a 6.0mm nyloc nut (item 29) to each of the bolts.

With the idle control module correctly orientated on the bracket tighten the 6.0mm nyloc nuts (item 29).



Remove the module from the inner guard panel shown, retain 6mm hex bolt.

Install the ECU support bracket (item 23) to the inner guard panel, loosely Re-fit the module and ECU support bracket to the inner guard panel using the standard 6mm hex bolt.

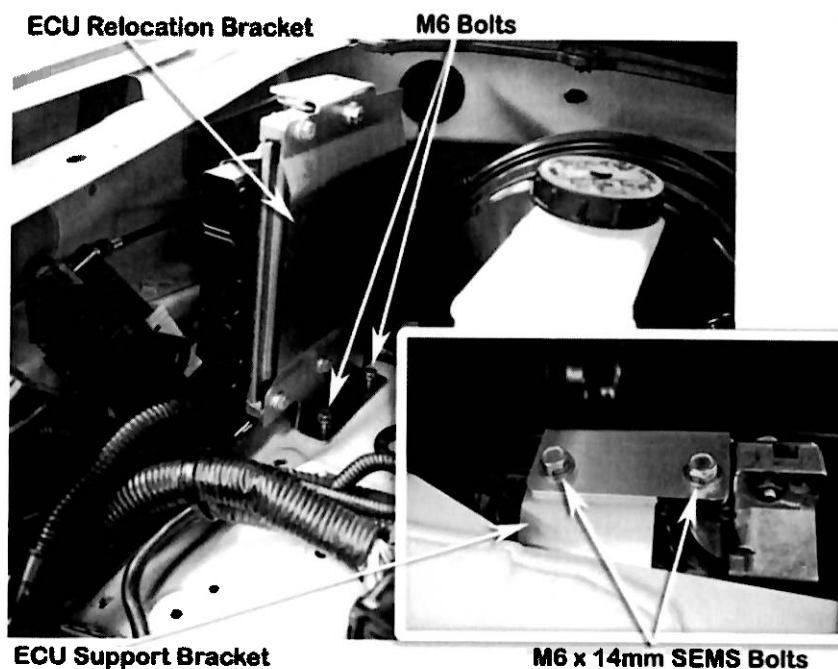


Install the ECU control module and bracket to the vehicle using the two standard 6mm hex bolts previously removed in step one.

Secure the top of the ECU relocation bracket to ECU support bracket (item 23) with two 6mm x 14mm SEMS bolts (item 4).

Tighten the standard bolts securing the control module bracket and support bracket.

Re-connect the three ECU wiring plugs to the ECU module.



Install the idle control module, secure with 6mm x 16mm hex bolts (item 25) and 6mm body washers (item 28), install 6mm body washers (item 28) and 6mm nyloc nuts (item 29). Tighten the nyloc nuts.

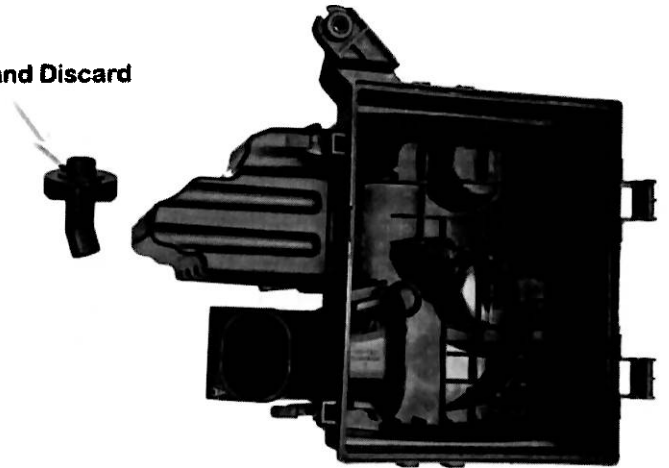
Install the earth cable and secure using the standard 6mm hex bolt removed in step 1 (**Note: Slightly bend the earth terminal upwards, to achieve clearance to the 6mm hex bolt**).

Re-connect the wiring plug to the idle control module.



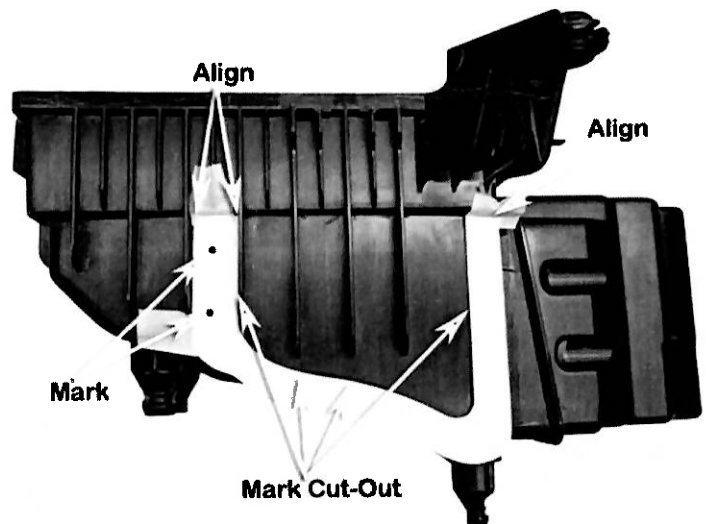
Remove and discard the air tube from the air cleaner base.

Remove and Discard



Align the air cleaner template (item 11) to the air cleaner base.

Mark the two hole positions and the cut-out section onto the air cleaner base.

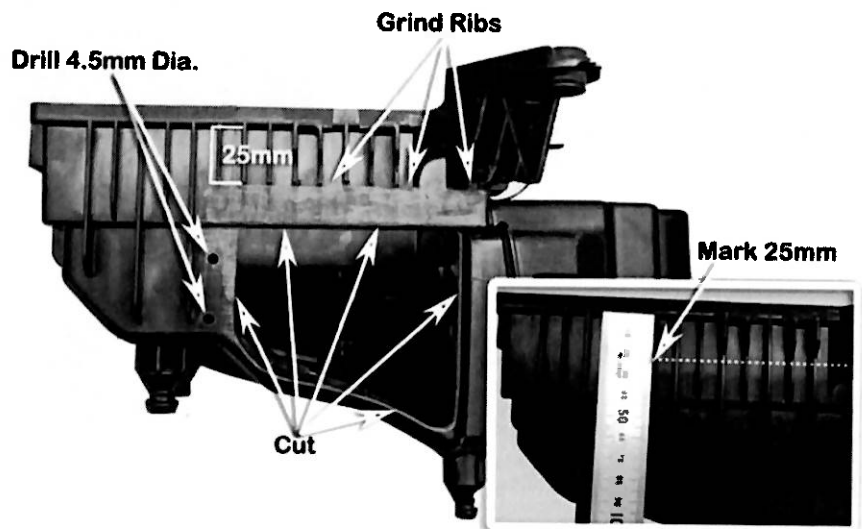


Using a body saw, remove the marked cut-out section of the air cleaner base.

Drill the marked hole positions to 4.5mm diameter.

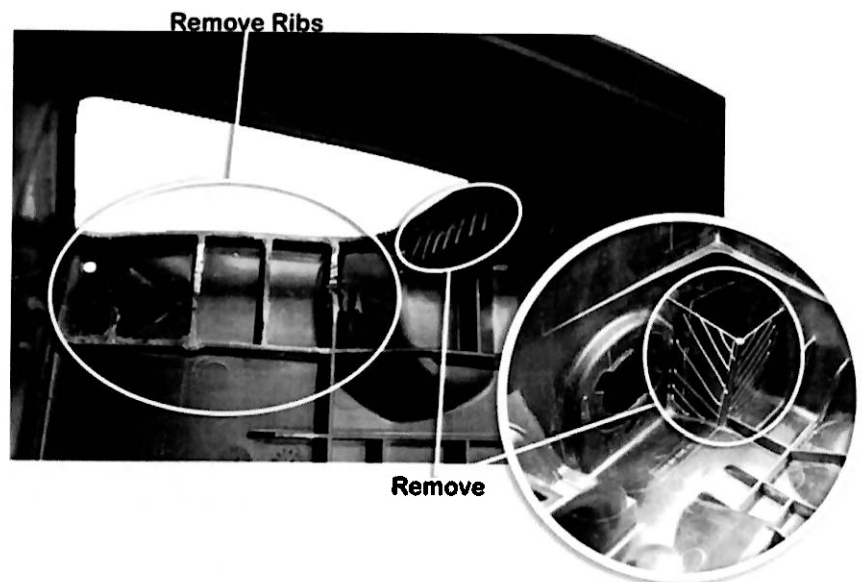
Mark a line 25mm down from the underside edge of the air cleaner base

Using a grinder, remove the ribs from the outside of the air cleaner base below the marked line as shown.



Using a body saw or die grinder remove the ribs as shown.

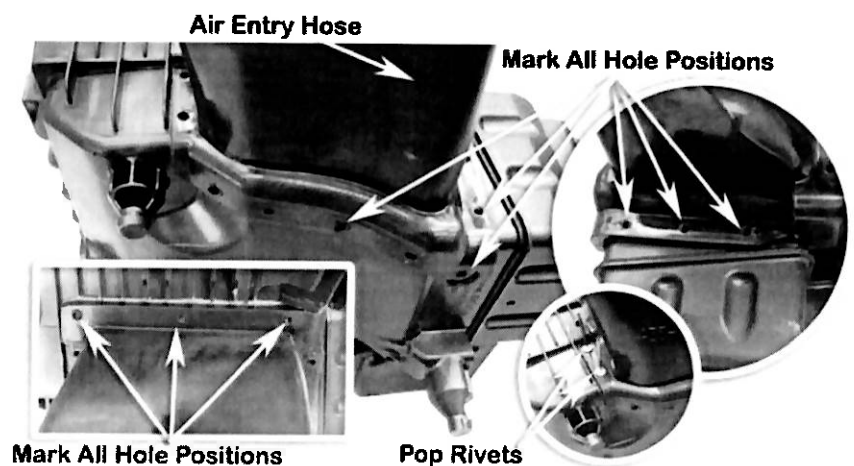
Using the body saw and die grinder, remove the panels as shown from the front right hand corner of the air cleaner base.



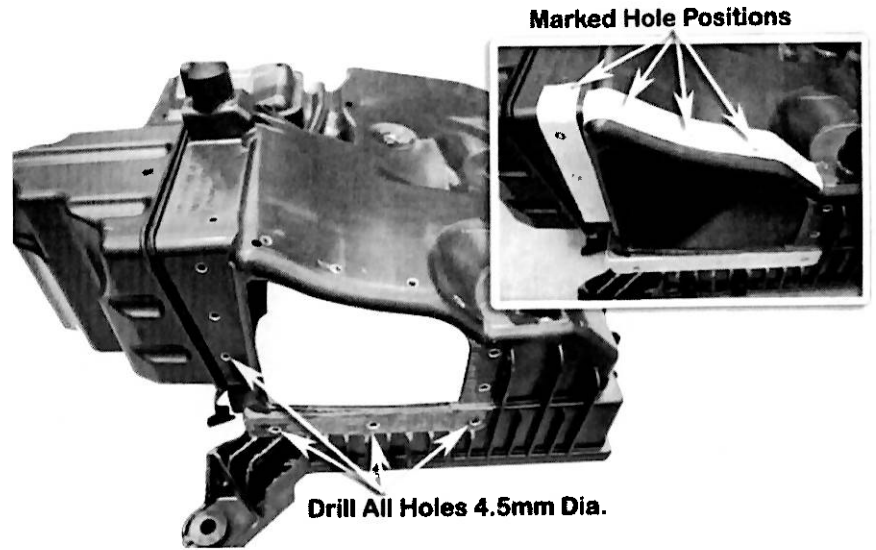
Mask along the edge of the air cleaner base.

Fit the air entry hose up to the air cleaner base and locate with two rivets through the 4.5mm holes drilled previously.

Mark the location of the remaining twelve holes using the air entry hose (item 10) as a template.



Remove the hose and drill the twelve marked hole positions with a 4.5mm drill bit.



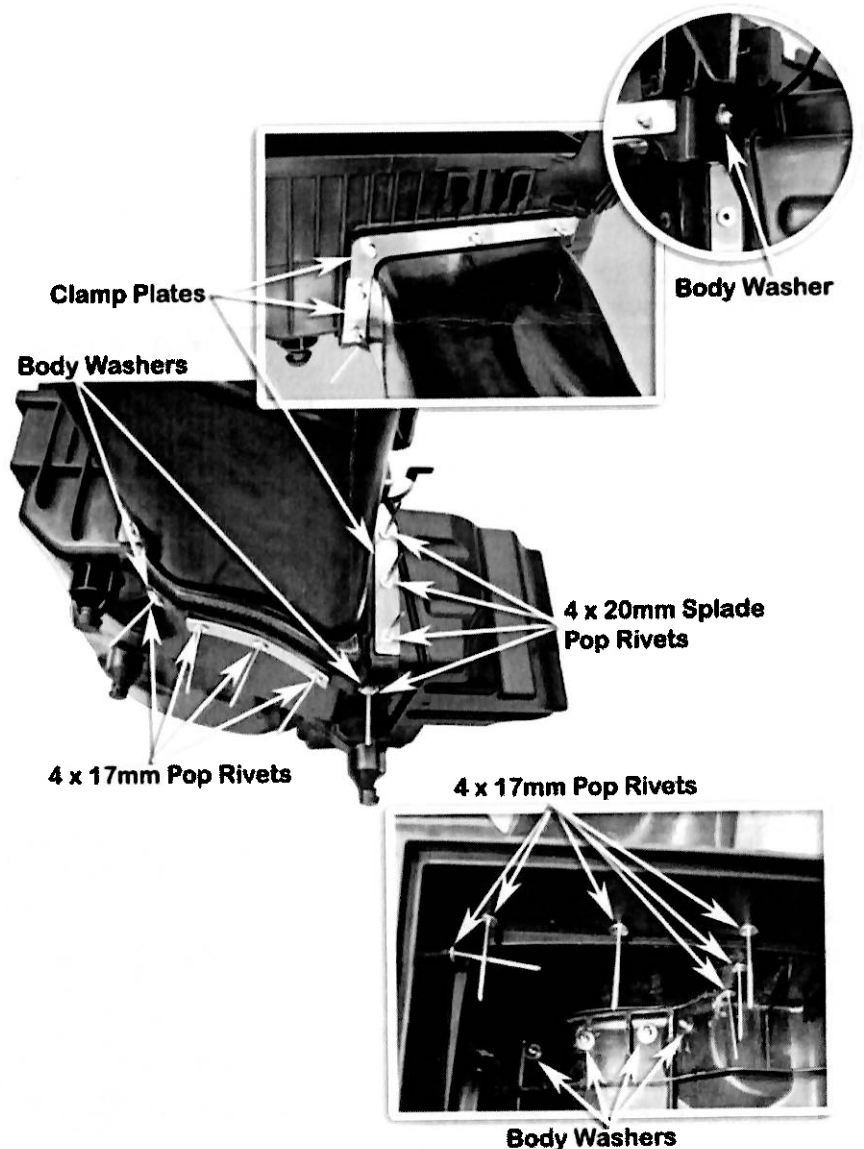
Apply sealant to the flange of the air entry hose.

Position the air entry hose onto the air cleaner base.

From the inside of the air cleaner base install six 4mm x 17mm pop rivets (item 16), install the top and LH side clamp plates (items 12 and 14), install a 4mm body washer (item 18) on the top right hand corner.

From the underside of the air cleaner base install the lower clamp plate (item 15) and install three 4mm x 17mm pop rivets (item 16), install a 4mm body washer (item 18) to a 4mm x 17mm pop rivet item (16) and install the pop rivet through the air entry hose. Install a 4mm body washers (item 18) over the four rivets on the inside of the air cleaner base.

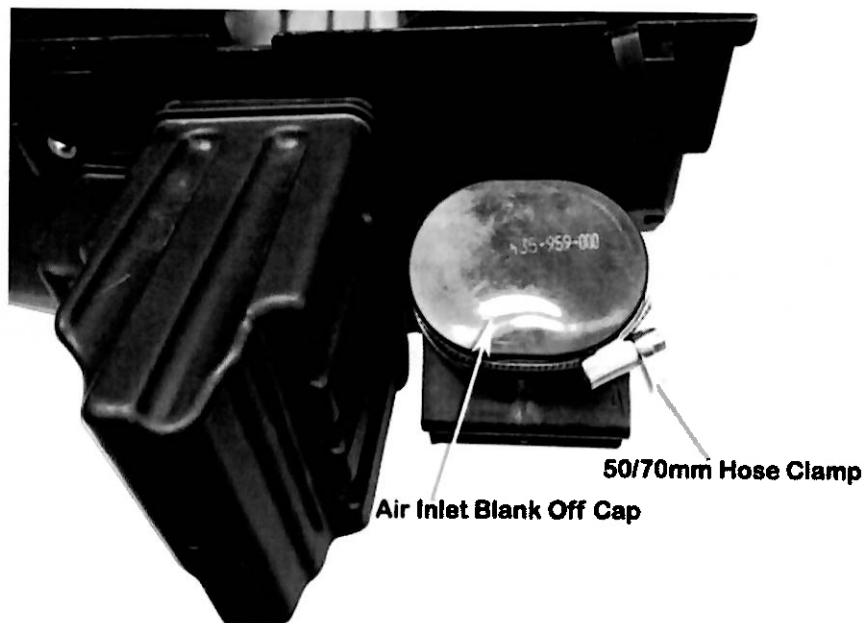
Install the RH side clamp plate (item 13) with three 4mm x 20mm splade pop rivets (item 17), install a 4mm body washer to the 4mm x 20mm splade pop rivet and install the rivet (item 17).



With all pop rivets, clamp plates and body washers in place, secure all pop rivets using a pop rivet gun. Clean-up any excess sealant to ensure a neat finish.

Install the air inlet blank-off cap (item 19) over the standard air intake hole, install a 50/70mm hose clamp (item 20) and tighten the hose clamp.

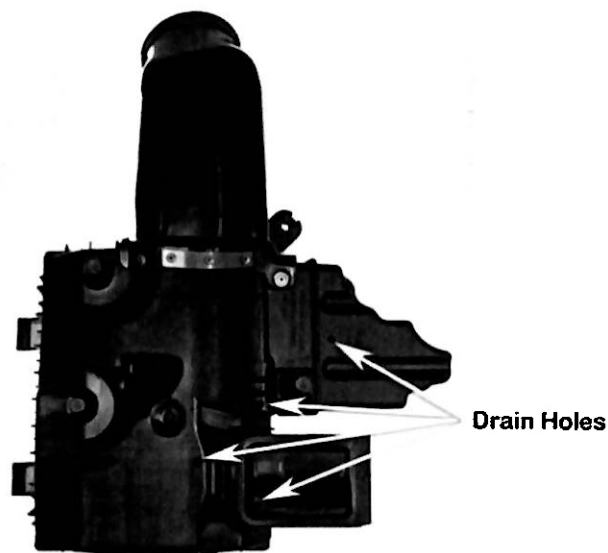
**Note the orientation of the hose clamp.**



### INSTALLER OPTION :

The air cleaner housing base contains four drain holes as shown. The drain holes can permit water to enter the air intake.

Safari advises that the drain holes should be sealed to ensure a watertight installation.

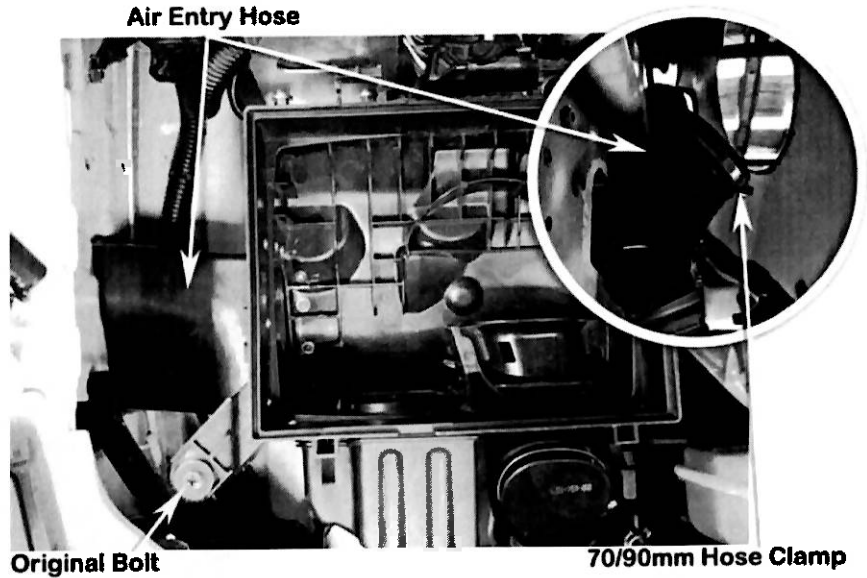


Install the air cleaner base and hose assembly into the vehicle.  
*Hint: squash the end of the hose whilst installing through the hole in the inner guard.*

Correctly install the air cleaner base into the three rubber mounting grommets and secure with the standard mounting bolt.

Loosely install the 70/90mm hose clamp (item 21) over the air intake hose and position as shown.

**Note the orientation of the hose clamp.**



Apply a small amount of CRC lubricant to the inlet of the air entry hose (item 10).

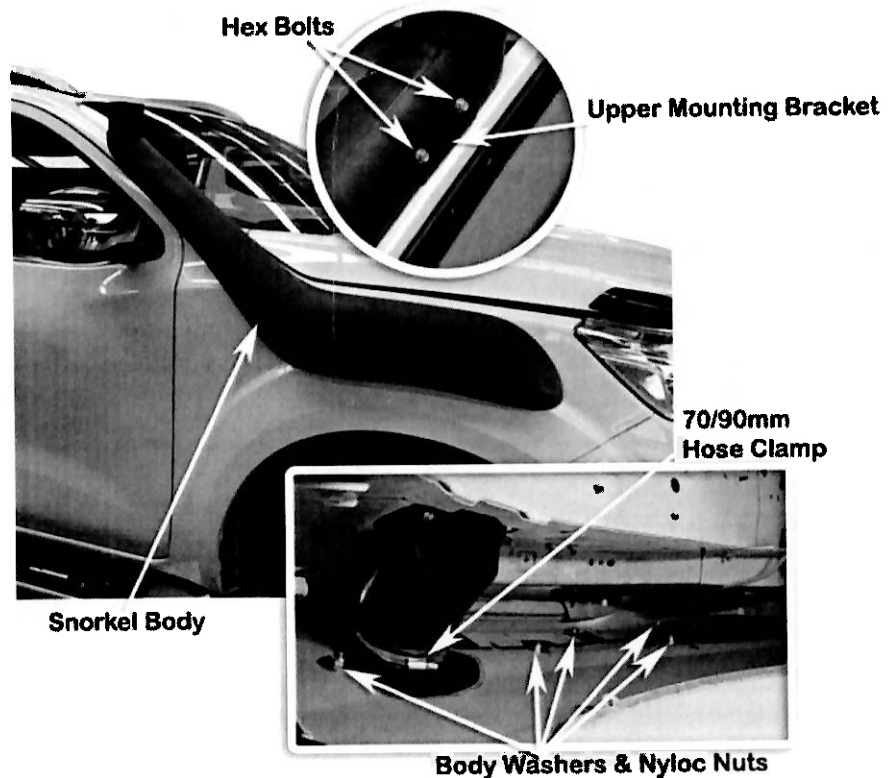
Carefully install the snorkel body (item 1) to the guard panel, guiding the snorkel body outlet snout into the air entry hose (item 10), align the snorkel body to the guard panel and upper mounting bracket.

When correctly aligned, fasten the snorkel body to the guard panel with body washers (item 8) and nyloc nuts (item 9).

Fasten the snorkel body to the upper mounting bracket with hex bolts (item 4).

Ensure the air entry hose (item 10) is correctly installed onto the snorkel body outlet snout and tighten the 70/90mm hose clamp (item 21).

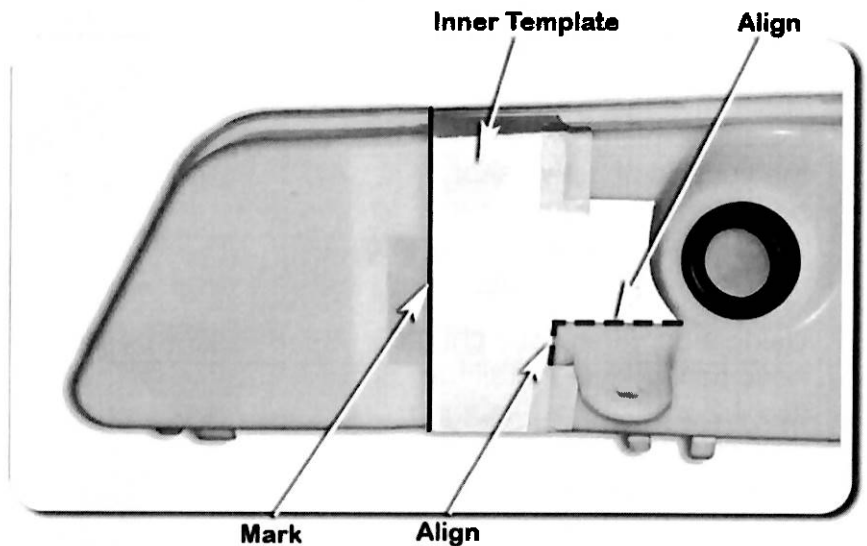
**Note the orientation of the hose clamp.**





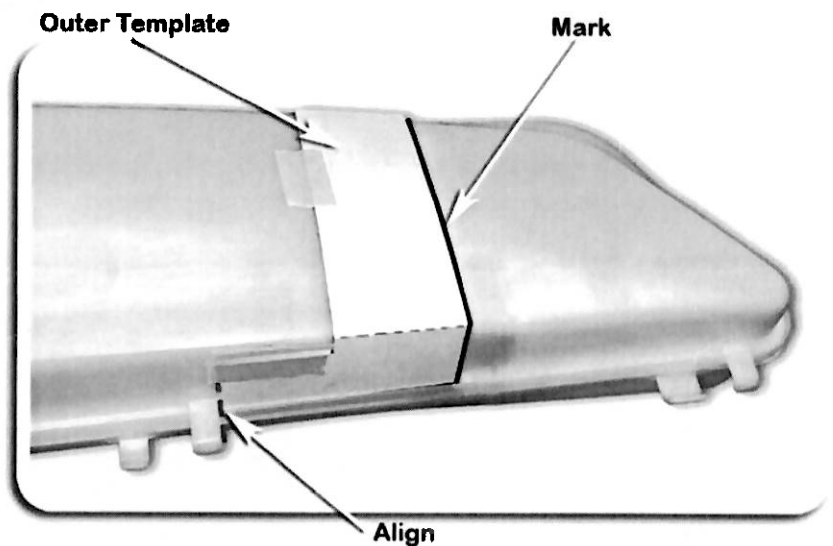
Align the inner washer bottle template (item 37) to the mounting bracket as shown, fold along the perforated cuts down either side of the washer bottle. Tape the template to the washer bottle, using a felt tip marker, mark the cutting line onto the bottle.

Remove the template.



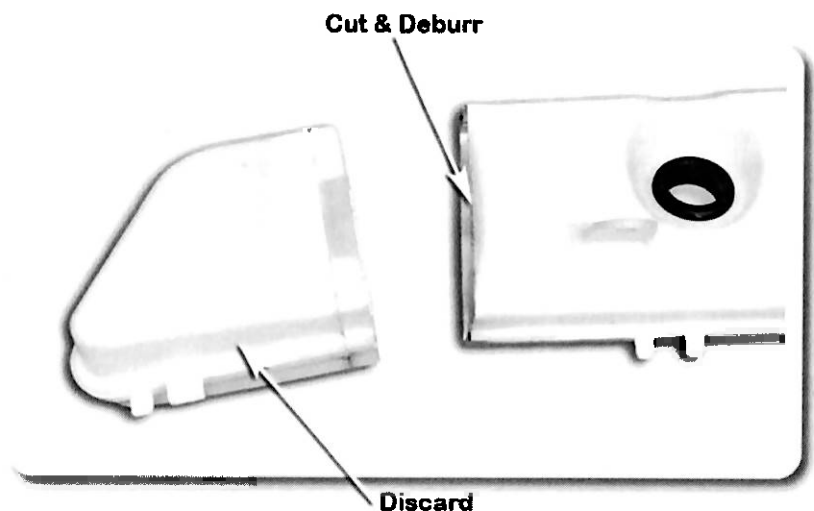
Align the outer washer bottle template (item 38) to the washer hose clip as shown, fold along the perforated cuts down either side of the washer bottle. Tape the template to the washer bottle, using a felt tip marker, mark the cutting line onto the bottle.

Remove the template.



Using a body saw or hacksaw cut along the marked cut line as straight as possible, cutting the end section of the washer bottle off.

Deburr the cut edge and ensure all plastic swarf is removed from inside the bottle.

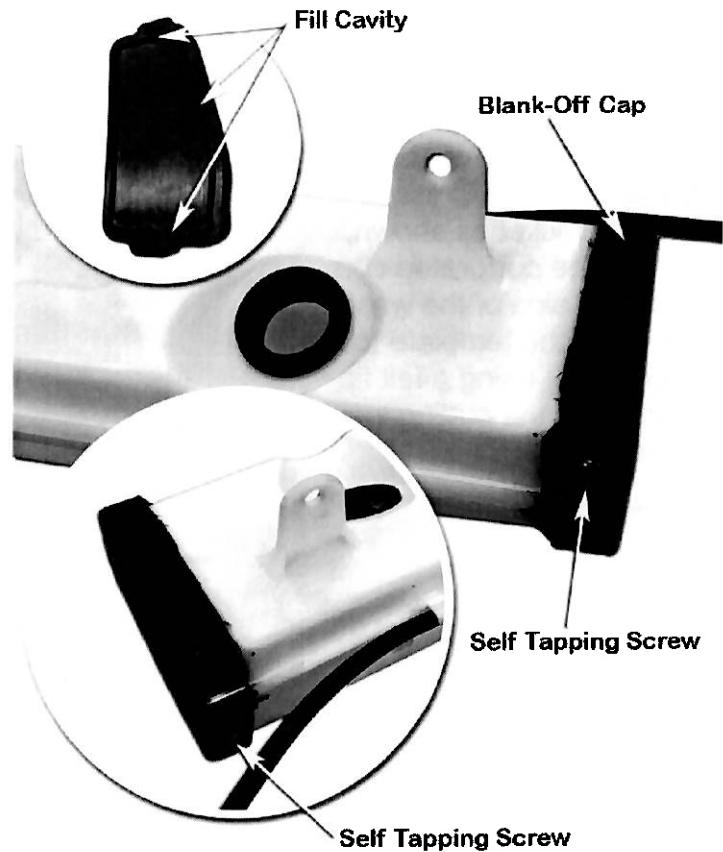


Apply a generous amount of sealant into the cavity of the blank-off cap (item 39).

Install the blank-off cap onto the cut end of the washer bottle, ensure the washer bottle is pushed all the way into the blank-off cap cavity.

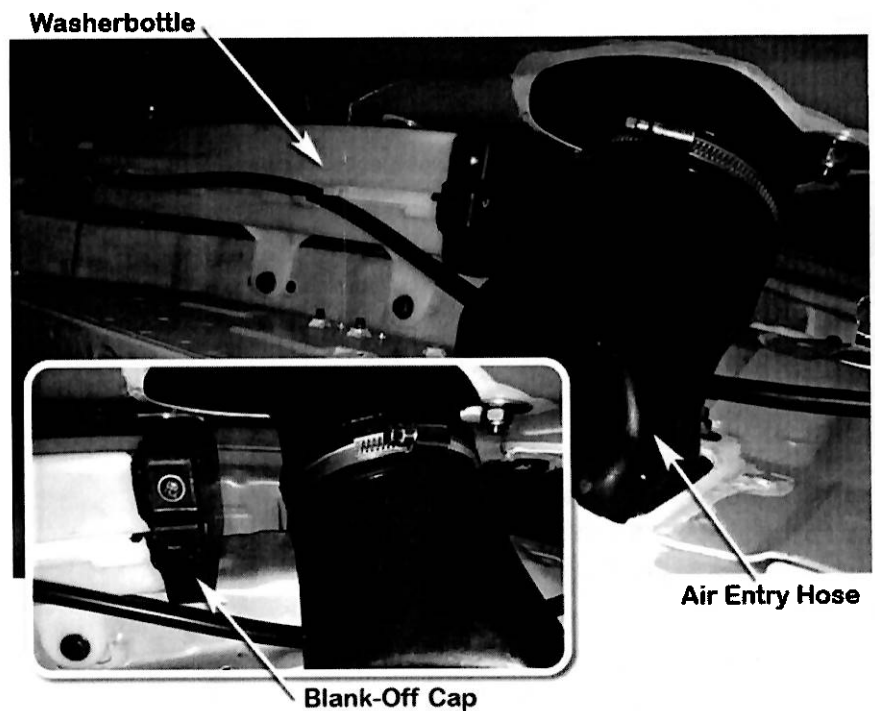
Using a cordless drill / phillips head screwdriver install the two 4.2 x 16mm self-tapping screws (item 5) through the holes in the blank-off cap and into the washer bottle as shown.

Clean up any excess sealant to ensure a neat finish, if required apply more sealant to fill any gaps.



Re-install the modified washer bottle into the inner guard, ensure the washer bottle locates correctly into the mounting bracket, secure with the standard bolts removed in step 1.

Reconnect wiring plugs and washer hose, install the filler neck and secure with the standard clip.



**Note: Allow the sealant to cure for a minimum of 24 hours before re-filling the washer bottle with washer fluid.**

Install the black hose clamp (item 34) loosely over the base of the air ram assembly (item 2). Install the air ram assembly onto the snorkel body.

Align the air ram assembly and tighten the black hose clamp (item 34).



Reinstall the inner guard liner, mud flap, air cleaner element, air cleaner lid, reconnect mass sensor wiring plug, reconnect the negative battery terminal and any other items that may have been removed during the snorkel installation process. Road test vehicle.

**Note:** It is the installer's responsibility to ensure that all connections are water tight.

