



OLD MAN EMU FITTING INSTRUCTIONS

FK64 REAR SHOCK MOUNT KIT SUITS LAND ROVER DEFENDER

WARNING!

- ◆ This product must be installed exactly as per these instructions using only the hardware supplied.
- ◆ In the event of damage to any suspension component, contact your nearest authorised ARB stockist. Repairs or modifications to the suspension system components must not be attempted.
- ◆ Do not use this product for any vehicle make or model, other than those specified by ARB.
- ◆ Do not remove labels from suspension components.
- ◆ This product or its fixing must not be modified in any way.
- ◆ The installation of this product may require the use of specialized tools and/or techniques
- ◆ It is recommended that this product is only installed by trained personnel
- ◆ These instructions are correct as at the publication date. ARB Corporation Ltd. cannot be held responsible for the impact of any changes subsequently made by the vehicle manufacturer
- ◆ During installation, it is the duty of the installer to check correct operation/clearances of all components
- ◆ Work safely at all times

Note: These fitting instructions should be read in conjunction with the vehicle workshop manual or torque reference chart.

FITTING REQUIREMENTS

HAND TOOLS REQUIRED	OPTIONAL HAND TOOLS	OPTIONAL WORKSHOP TOOLS
Ring open end spanner set metric	Ratchet spanners metric	Vehicle hoist
Socket set metric		Impact driver

SAFETY EQUIPMENT REQUIRED

Protective eyewear



Hearing protection



KIT CONTENTS

ITEM NO.	PART NUMBER	DESCRIPTION	QTY
1	3759128R	BRKT DEFENDER REAR SHOCK/ASSEM RH	1
2	3759128L	BRKT DEFENDER REAR SHOCK/ASSEM LH	1
3	6151299	BOLT M10 X 100MM HT 8.8	6
4	4581040	WASHER FLAT M10 x 25 X 3/TZP480	12
5	6151322	NUT NYLOC M10x1.5 PC8 TZP480	6

INSTALLATION INSTRUCTIONS

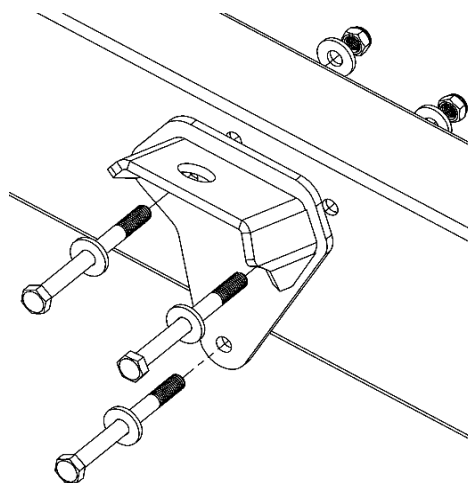


Remove original shock absorber. (LHS shown)

Remove the original nuts, bolts and shock mounting bracket



Fit new bracket to chassis using new M10 hardware supplied as shown.

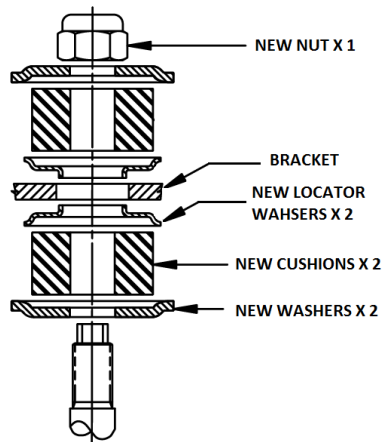


Torque to 22Nm

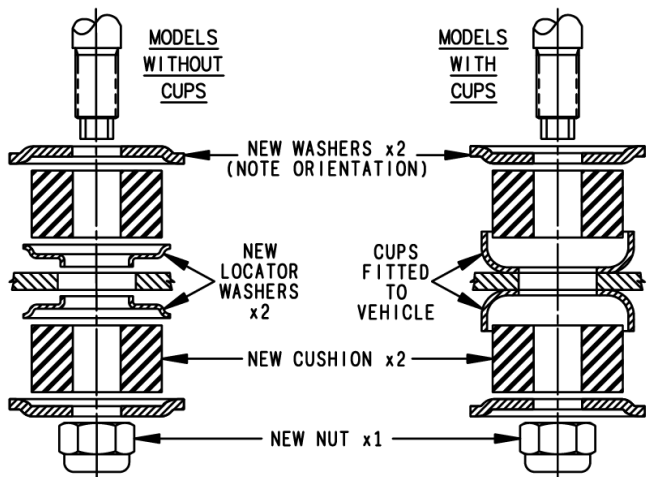


Install the shock absorber to the vehicle.

Assemble top mounting hardware as shown.



Tighten until 3 threads are exposed



Some Defender models have cups fitted to the lower shock absorber mount where other do not.

Models without cups will need locator washers where models with cups will not.

Note both orientation and location of washers as shown left.

Assemble bottom mounting hardware as shown.

Tighten until 3 threads are exposed