



RHINO-RACK

Aerodynamic & Heavy Duty Roof Rack Systems
CONTROLLED

RT27 Rhino Heavy Duty - SWB & LWB VW T4 Transporter Trackmount

Place these instructions in the vehicle's glove box after installation is complete.

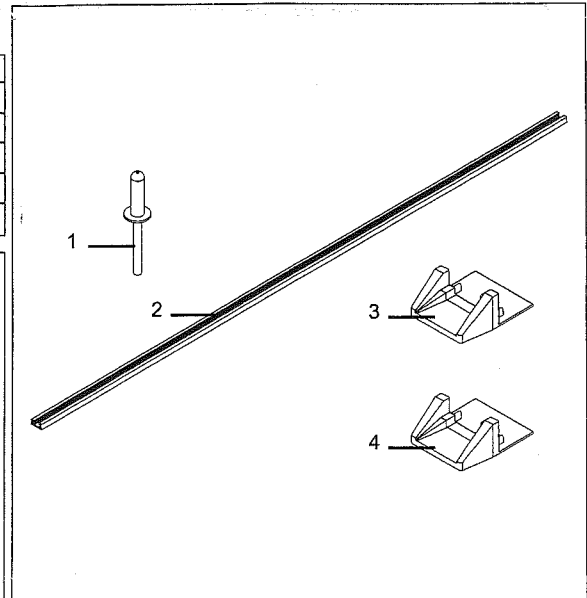
Important: Please read these instructions carefully prior to installation.
Please refer to your fitting instruction to ensure that the roof racks are installed in the correct locations.
Check the contents of kit before commencing fitment and report any discrepancies.

Parts List

Item	Component Name	Qty.	Part No.
1	18mm Rivet	24	H005
2	2700mm RRC-018 Track	2	A070
3	VW Track End Cap Left	2	M134
4	VW Track End Cap Right	2	M135
5	Fitting Instruction	1	RR97

Tools Required

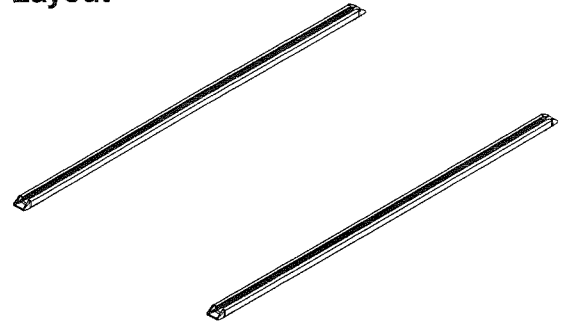
Pneumatic or concertina type rivet gun
Marking pen
Centre punch
Power or cordless drill with a 5mm drill bit
Vacuum cleaner
Stanley knife
Cold galvanizing solution & brush
Selleys Butyl Mastic
Measuring tape
16mm or 5/8" spanner



Care Instruction

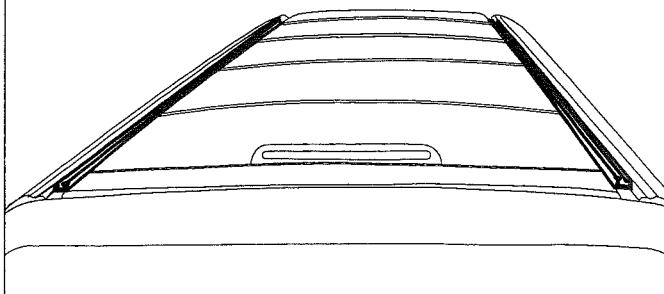
Clean vehicle roof prior to fitting the Rhino-Rack roof racks

Layout



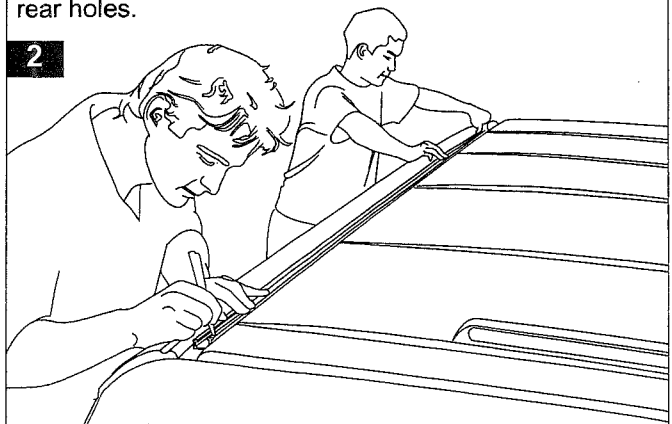
Place RT27 tracks into the roof turret channels. High side of chamfered tracks facing the centre of vehicle. Position the track end, 30mm from the rear door gap.

1



Mark all holes with a suitable marking pen. Have one person hold the front of the track steady then mark the rear holes.

2



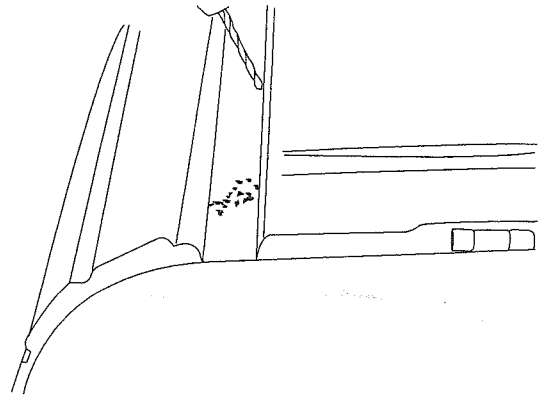
Accurately centre punch all holes for drilling.

3



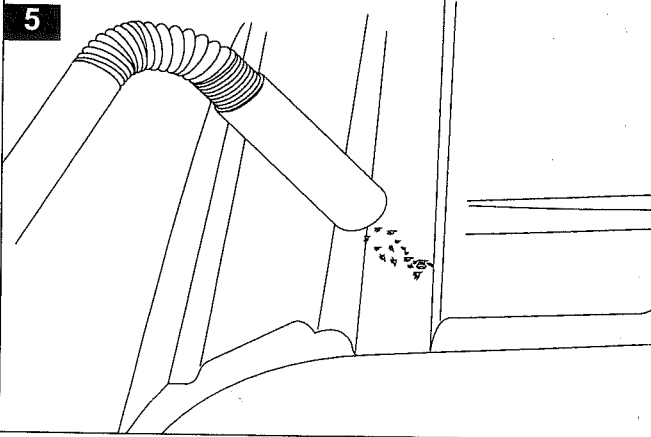
Using a suitable power or cordless drill with a 5mm drill bit penetrate a small amount of the top skin on all holes.

4



Vacuum swarf off the turret surface.

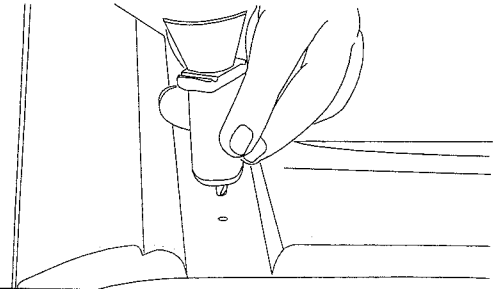
5



Drill through roof (3 to 5 skins) using 5mm drill bit and a suitable drill stop, set the drill stop to ensure you don't drill through the roof lining. Remove all swarf from the turret surface.

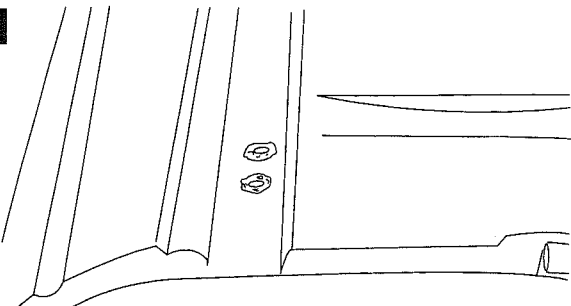
Note: Using a drill stop will alleviate the need to remove the hood lining.

6



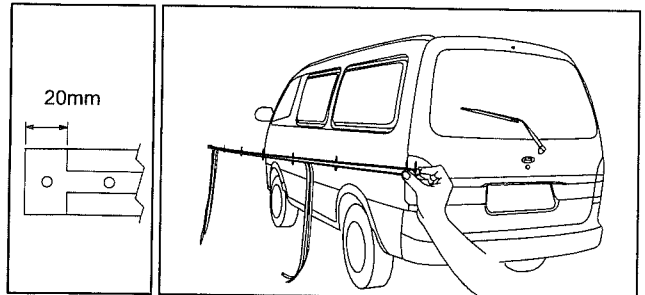
Apply a liberal amount of cold galvanizing solution to the inside and surrounds of all holes, use cotton buds as recommended. Allow cold galvanizing solution to dry, three to four minutes, then apply a liberal amount of Selleys Butyl Mastic in and around each hole.

7



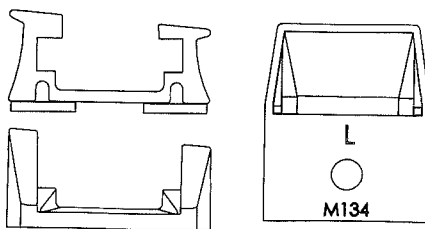
Trim 20mm off foam tape from each track end. Remove paper gasket from foam tape on underside of track. Place tracks onto roof panel.

8

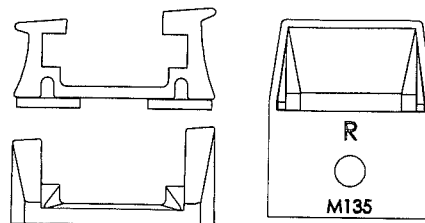


There are two types of track end caps because the track profile is asymmetrical. Each end cap is identified with a part number and position code:

9



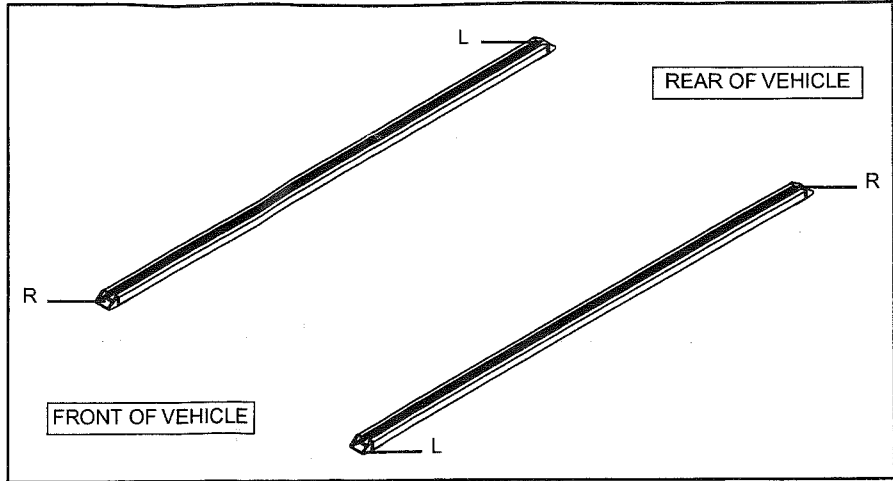
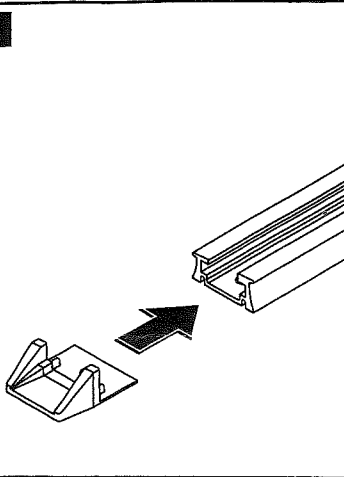
LEFT TRACK PROFILE &
L - LEFT END CAP



RIGHT TRACK PROFILE &
R - RIGHT END CAP

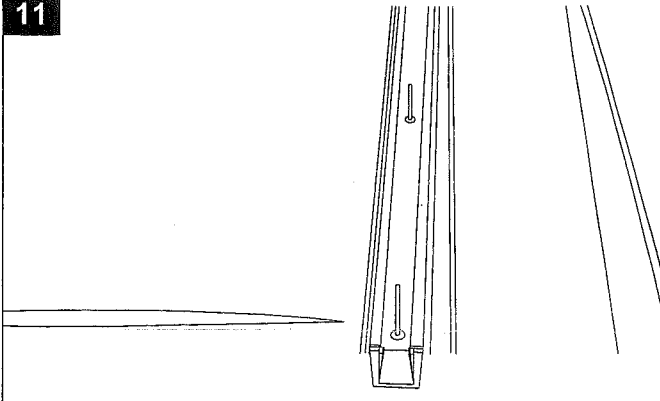
Slide the track end cap into the correct track end. Make sure that the hole on the end cap lines up with the hole on the track.

10



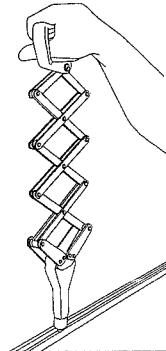
Insert waterproof rivets (supplied) into holes in tracks.

11



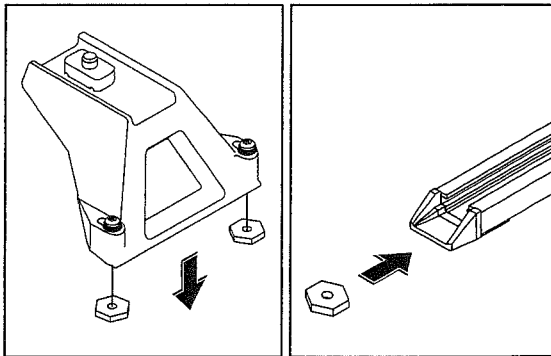
Using either a pneumatic or concertina type rivet gun, rivet track and end caps into place, making sure all rivets are seated firmly onto the base of the track.

12



Detach brass hex nuts from bottom of RLTF legs. Slide into track channel.

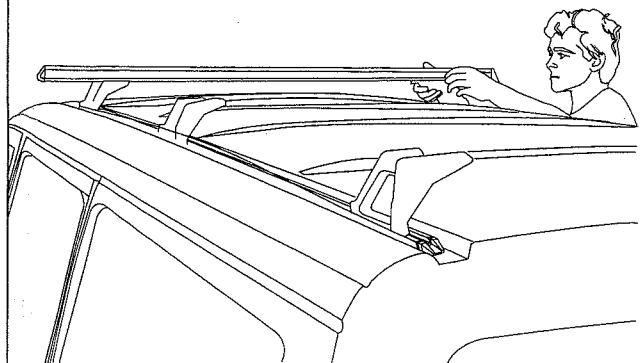
13



Attach all RLTF legs to brass hex nuts using M6 x 35mm bolts supplied. Discard nylon wedges. Leave untensioned at this stage.

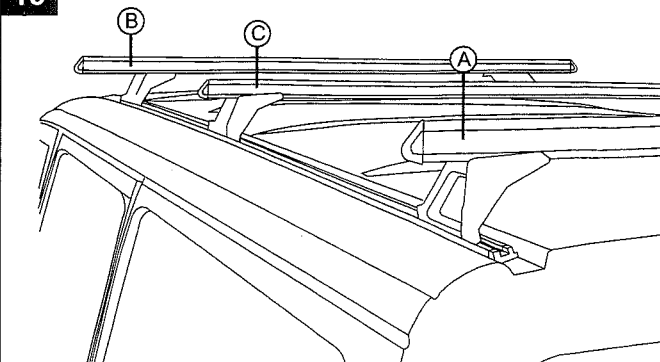
Note: On LWB transporter, the angled wedges are to be used on rear bar only. Face thick side of wedge towards outside of vehicle (shown in step 15) making sure it is seated correctly in the track. Attach Rhino-Rack cross bars to RLTF legs, leave untensioned.

14



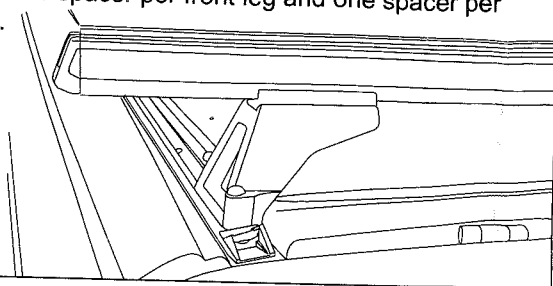
Place bars in required positions then tension RLTF legs.

15



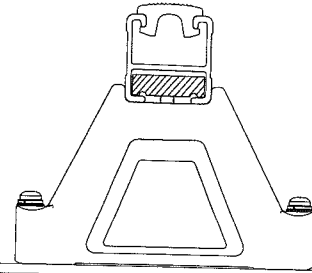
Utilise 10mm leg height spacers to level multiple bar combinations where required.
SW.B - Two spacers per front leg and one spacer rear leg.
L.W.B - One spacer per front leg and one spacer per rear leg.

16



Tension RLTF legs in position with the 5mm allen key. Fasten cross bars to the RLTF legs using the 5/8" spanner, ensuring channel nuts rotate 90 degrees into the lock position. Evenly space and assemble racks on track.

17



Important Information

RECOMMENDATIONS

Please refer to your fitting instruction to ensure that the Roof Racks are installed in the correct locations.

Please Note that the vehicles roof load rating may be less than the Roof Rack load rating.

It is essential that all screw/bolt connections are checked after driving a short distance when you first install your Rhino - Rack. Screw/bolt connections should be checked again at regular intervals (probably once a week is enough, depending on road conditions, usage, loads and distances travelled). You should also check the Roof Racks each time they are refitted.

Roof Racks and accessories should be cleaned and all screw threads should be lubricated at regular intervals. Always clean the vehicle roof and the mounting brackets before fitting the roof bars.

Rhino-Rack offers a 3 year warranty to the original purchaser of the Rhino-Roof Rack Systems and Accessories. Rhino-Rack cannot be held responsible for incorrect mounting of the Roof racks or for usage that exceeds production tolerances.

Make sure to fasten the load securely. Please ensure that all loads are evenly distributed and that the centre of gravity is kept as low as possible. Use only non-stretch fastening ropes and straps.

SENSITIVITY TO CROSSWINDS, BEHAVIOUR IN CURVES AND BRAKING

The handling of the car changes when you transport a load on the roof. For safety reasons, we recommend you exercise extreme care when transporting wind resistant loads.

Special consideration must be taken into account when braking.

PLEASE REMOVE ROOF RACKS WHEN PUTTING VEHICLE THROUGH AUTOMATIC CAR WASH

LOAD RATINGS

Maximum permissible load is 100kg per pair of roof racks (include the weight of the roof bars, 5kg). When Roof Racks are to be used in off-road conditions, please build a safety factor of 1.5 into this load limit (67kg per pair). Although the Roof Racks are tested and approved to AS1235-2000, Australian road conditions can be much more rigorous. However, increasing the number of crossbars does not increase the vehicles maximum permissible roof loading.

IMPORTANT NOTE FOR DEALERS AND FITTERS

Rhino-Rack cannot be held responsible for incorrect mounting of units or usage that exceeds production tolerance. If any of these fitting instructions are unclear to you, the fitter, please contact Rhino-Rack.

It is your responsibility to ensure instructions are given to the end user or supplier.

Rhino-Rack
3 Pike Street, Rydalmere,
NSW 2116, Australia.
(Ph) (02) 9638 4744 (Fax) (02) 9638 4822

Document No: RR-97
Prepared By: Sheila Oliveira
Authorised By: Gary England

Issue No: 02
Issue Date: 24/11/2003

These instructions remain the property of Fetovu Pty Ltd T/as Rhino-Rack and may not be used or changed for any other purpose than intended.