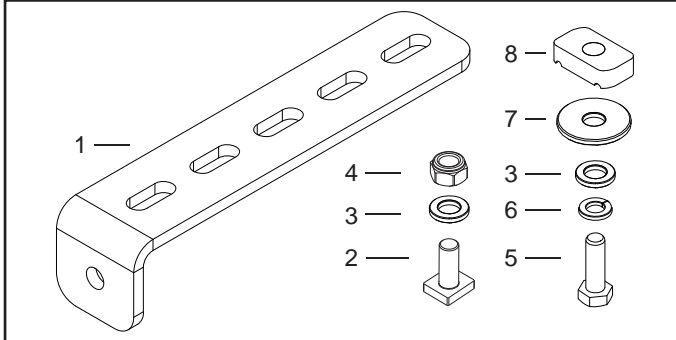




# RHINO-RACK

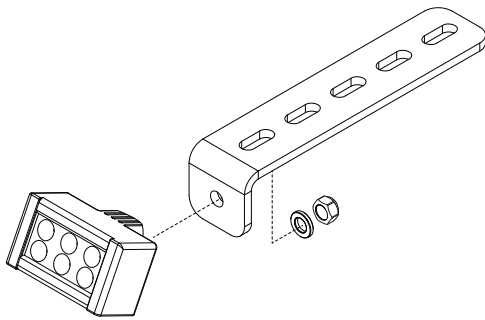
## Pioneer Light Bracket Kit - 43202

**Important:** Please read these instructions carefully prior to installation.  
Please refer to your fitting instruction to ensure that the alloy tray is installed correctly.  
Check the contents of this kit before commencing fitment and report any discrepancies.



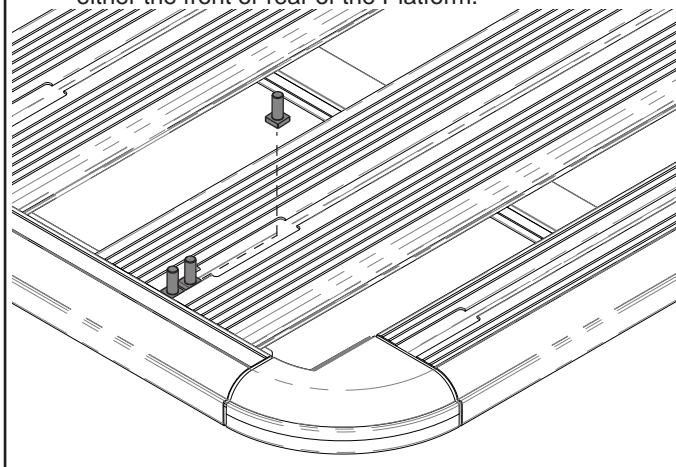
Item	Component	Qty	Part No.
1	Bracket	2	CA1505
2	M8 x 20mm T-Bolt	4	C764
3	M8 x 17mm Flat Washer	4	W020
4	M8 Nyloc Nut	4	N028
5	M8 x 25mm Hex Screw	4	B169
6	M8 Spring Washer	4	W019
7	M10 x 38mm Flat Washer	4	W022
8	M8 Channel Nut	4	N003
9	Instructions	1	R1032

**Note** Install the LED Lights to the Brackets as shown. Note: hardware not supplied and found in LED Light Kit.

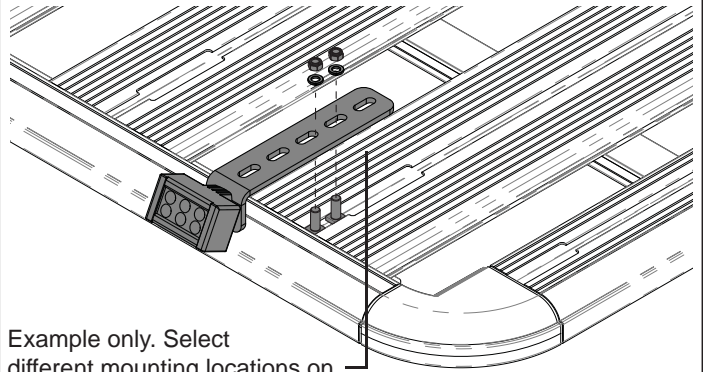


### Front / Rear Platform installation

**1** Slide 2x M8 x 20mm T-Bolts into the desired slots at either the front or rear of the Platform.



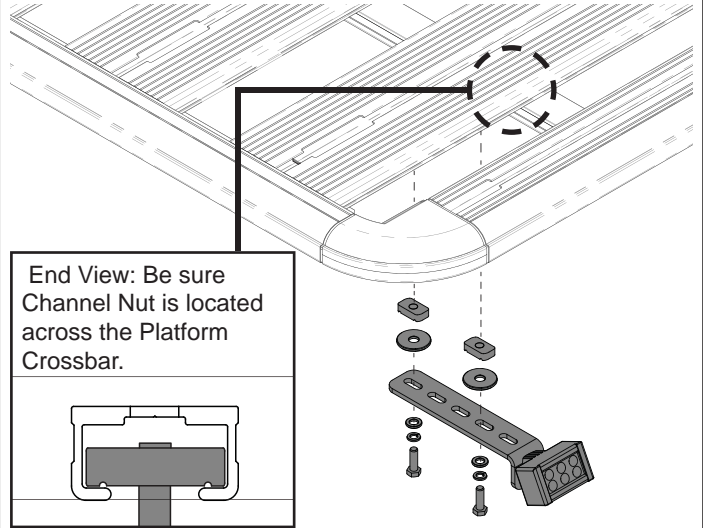
**2** Place the Bracket onto the installed T-Bolts. Fix in place with M8 x 17mm Flat Washers and Nyloc Nuts.



Example only. Select different mounting locations on the Bracket to suit individual needs.

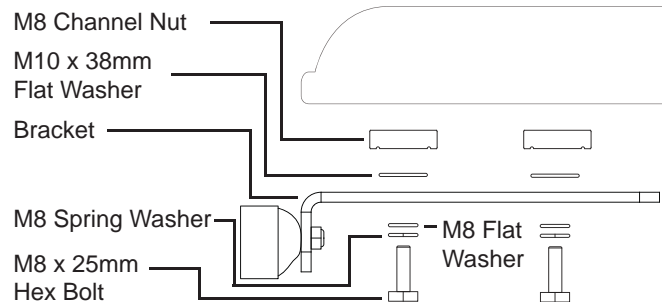
### Underside Platform installation

Install the Bracket as shown with the hardware provided, flush with the edge of the Platform.



End View: Be sure Channel Nut is located across the Platform Crossbar.

Side View:



Rhino-Rack  
 3 Pike Street, Rydalmere,  
 NSW 2116, Australia.  
 (Ph) (02) 9638 4744  
 (Fax) (02) 9638 4822

Document No: R1032  
 Prepared By: Kayle Everett  
 Authorised By: Chris Murty  
 Issue No: 02  
 Issue Date: 08/07/2016

These instructions remain the property of Rhino-Rack Australia Pty Ltd and may not be used or changed for any other purpose than intended.