



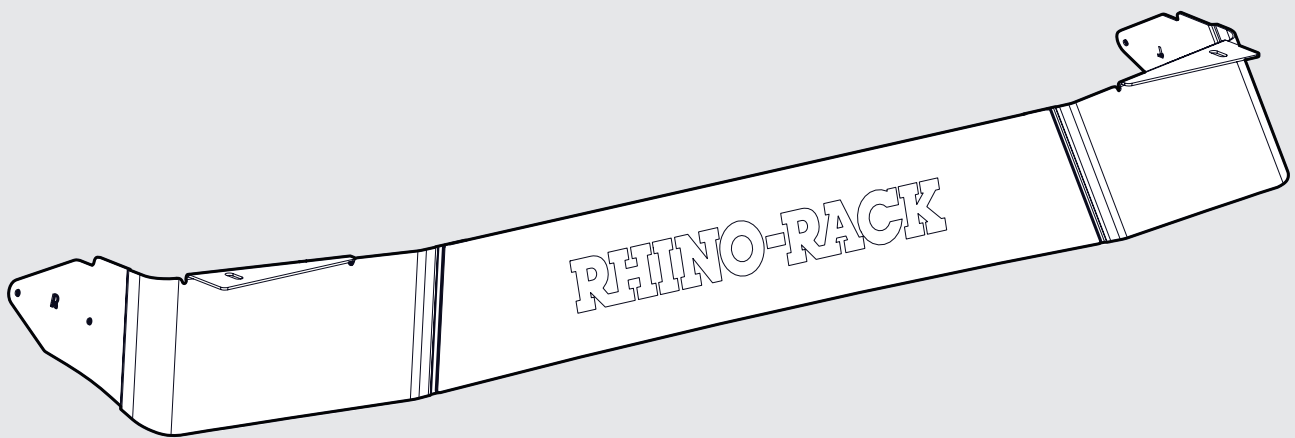
RHINO-RACK®

Bespoke Wind Fairing

Important:

1. Check the Rhino-Rack website to ensure you have the latest issue of these instructions.
2. Please refer to your fitting instruction to ensure that the accessory is installed in the correctly.
3. Check the contents of kit before commencing fitment and report any discrepancies.
4. Place these instructions in the vehicle's glove box after installation is complete.
5. These instructions must be followed for warranty to be upheld.

Fit Time: 30 min



Rhino-Rack AUSTRALIA
22A Hanson Pl,
Eastern Creek, NSW, 2766

Rhino-Rack USA
Unit D, 2450 Airport Blvd,
Aurora, CO, 80011

RHINORACK.COM

Document No: 520-RFI-00084
Issue No: 04
Issue Date: 07/03/2023

The fairing is designed to minimise wind noise generated by the Pioneer platform. It does not fully eliminate wind noise.

Warning

- Do not attempt to fit the accessory to your vehicle unless you fully understand these fitting instructions. Please direct any questions regarding fitting to the dealer from where the product was purchased.
- The rack system and accessories must be removed when vehicle is put through an automatic car wash.
- Do not use fairing as a tie off point - Always lash around the platform

Recommendations

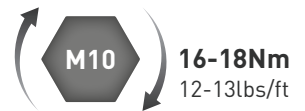
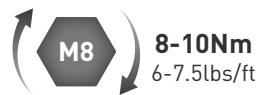
- Clean fairing with a smooth cloth using water or mild washing liquid. Damage to sheet metal and painted surfaces, including the vehicle roof, may occur with strong or concentrated cleaning detergents.

In service maintenance checks

- All bolted connections should be checked after driving a short distance when you first install your roof racks & accessories.
- All bolted connections should be checked again at regular intervals (every 1000k (621mi) is recommended, depending on road conditions, usage, loads and distances travelled). All bolted connections should be checked each time they are re-fitted.

Torque Settings:

Unless stated otherwise in these instructions, all fasteners should be set to the following torque settings:



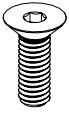
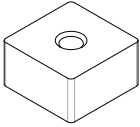
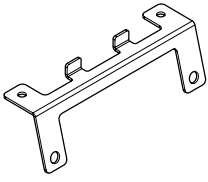
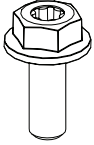
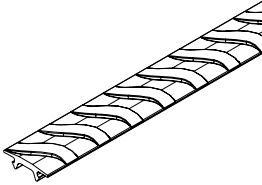
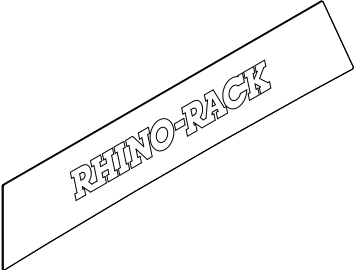
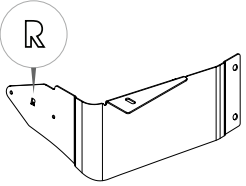
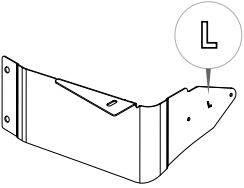
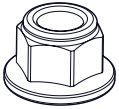
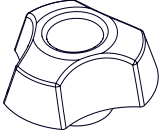
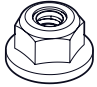

Sensitivity to Crosswinds, Behaviour in Curves and Braking

Remember that the handling characteristics of your vehicle will change when transporting a load on the roof. Exercise extreme care when transporting wind-resisting loads; special consideration must be taken into account when braking.

Note for Dealers and Fitters

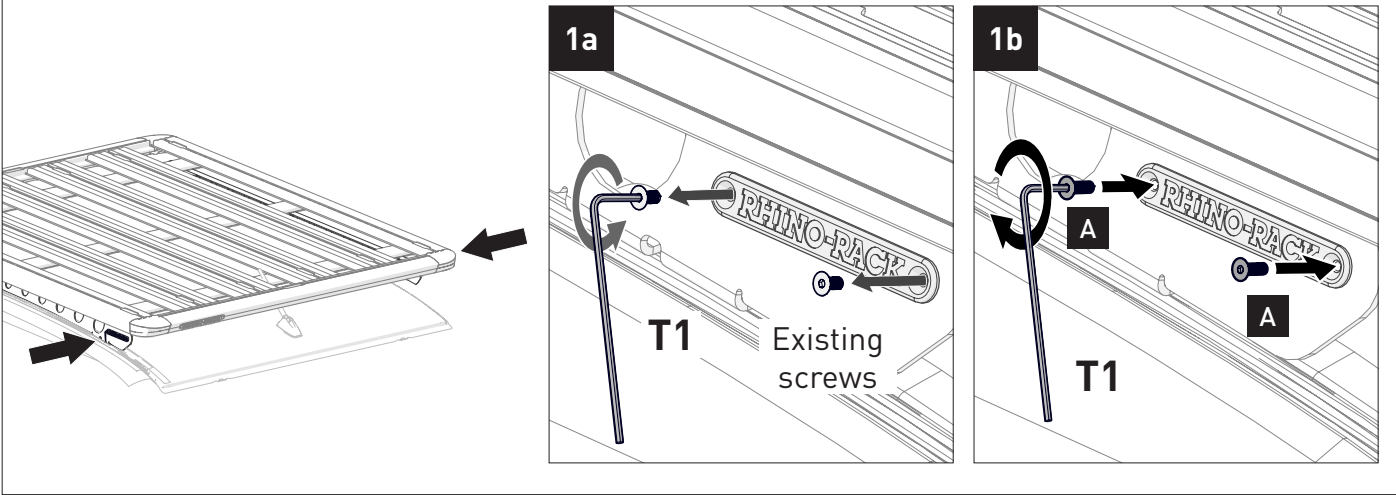
It is your responsibility to ensure these fitting instructions are given to the end user or client. These instructions remain the property of Rhino-Rack Australia Pty. Ltd. and may not be used or changed for any other purpose than intended.

Parts List

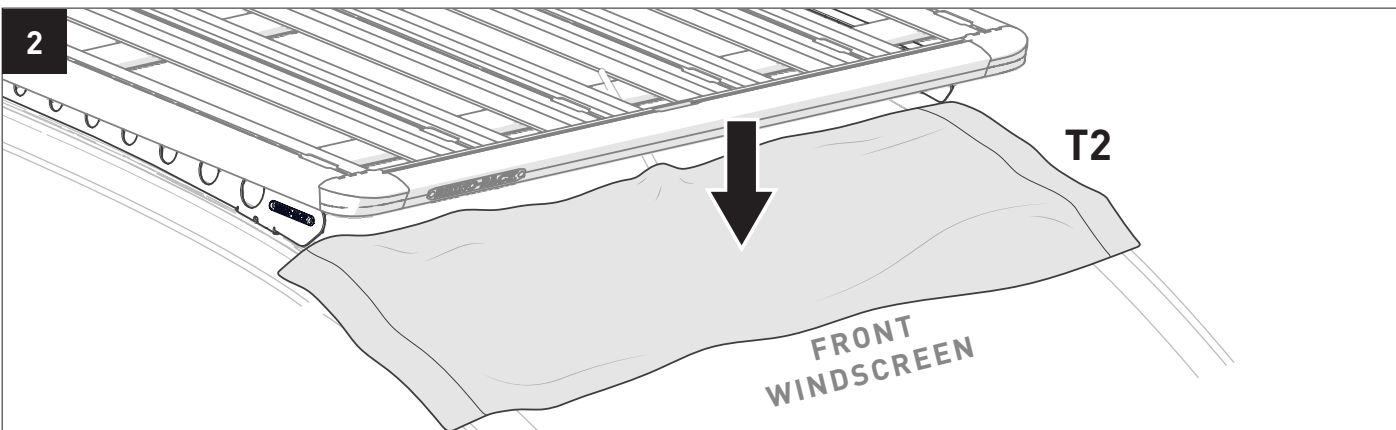
| | | | |
|---|---|--|---|
| <p>M4 x 15mm Countersunk Socket Head Screw</p>  <p>A x4</p> | <p>M6 Channel Nut</p>  <p>B x4</p> | <p>Centre Wind Fairing Bracket</p>  <p>C x1</p> | <p>M6 x 16mm Hex Head Flanged Bolt</p>  <p>D x4</p> |
| <p>Vortex Generating Strips</p>  <p>E x2</p> | <p>Centre Fairing</p>  <p>F x1</p> | | <p>Right Corner Fairing Connector</p>  <p>G x1</p> |
| <p>Left Corner Fairing Connector</p>  <p>H x1</p> | <p>M6 Flanged Nyloc Nut</p>  <p>I x4</p> | <p>M6 Plastic Knob</p>  <p>J x2</p> | <p>M4 Flanged Nyloc Nut</p>  <p>K x4</p> |
| <p>Instruction</p>  <p>L x1</p> | <p>Tools Required</p> <ul style="list-style-type: none"> T1 - 2.5mm Allen Key T2 - Towel T3 - 10mm Spanner T4 - Scissors / Cutters T5 - 7mm Spanner T6 - Torque Wrench | | |

1

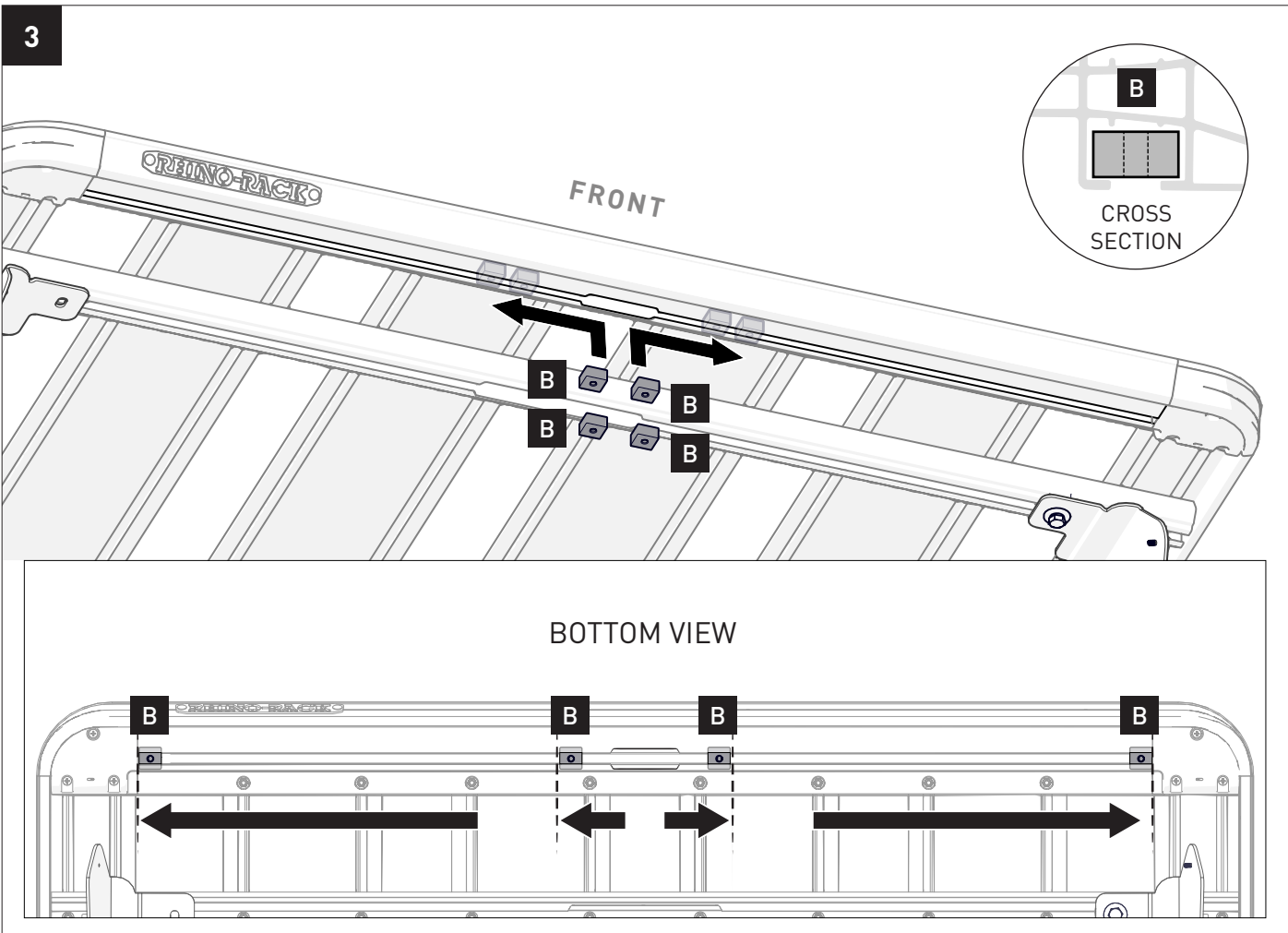
For **FORD Ranger P703**: Skip Step **1b**.

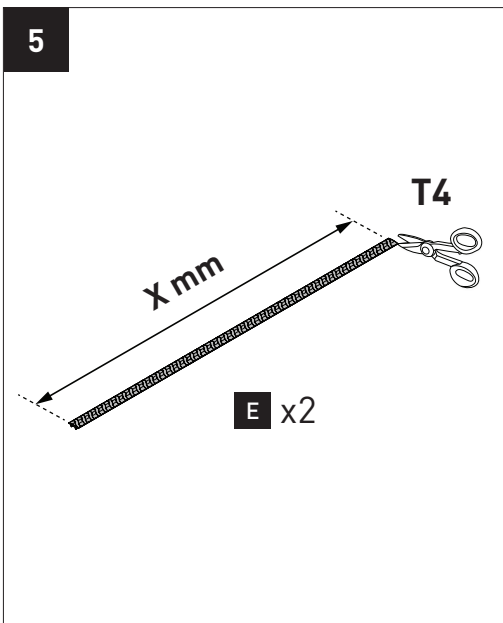
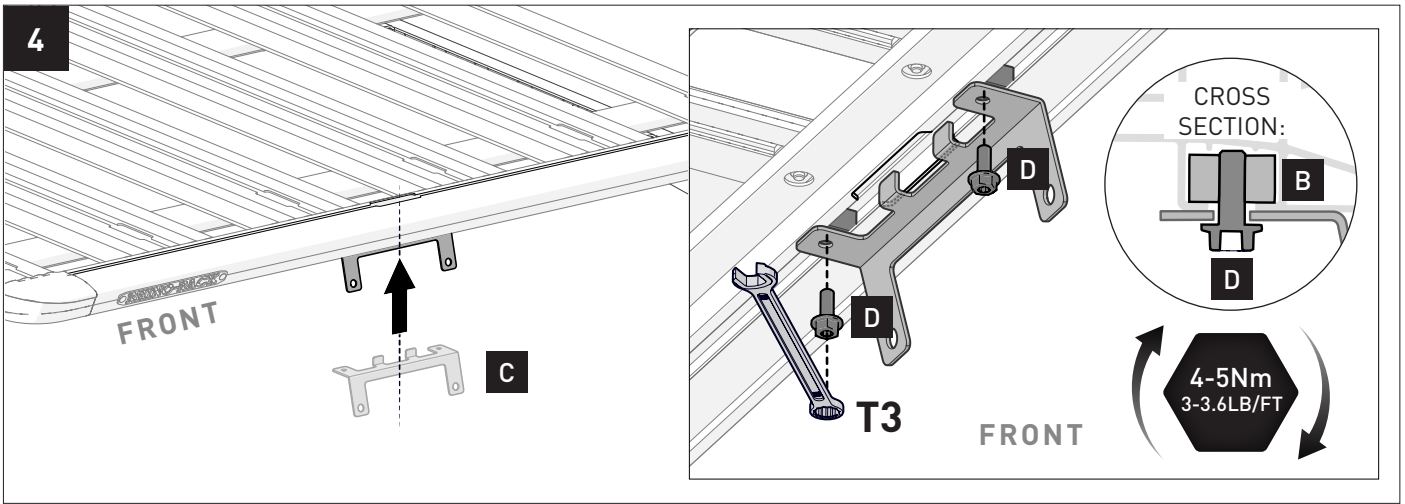


2

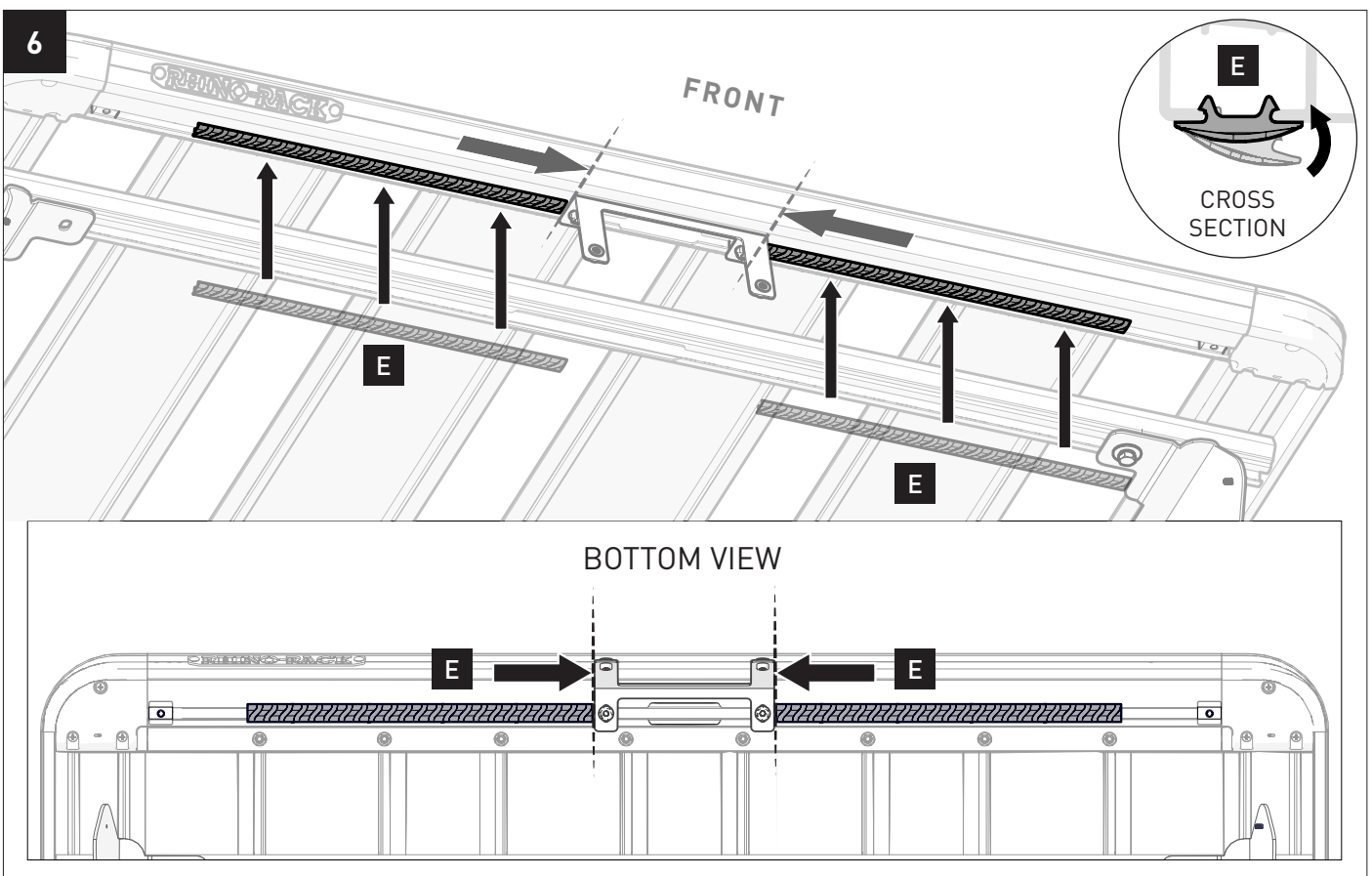


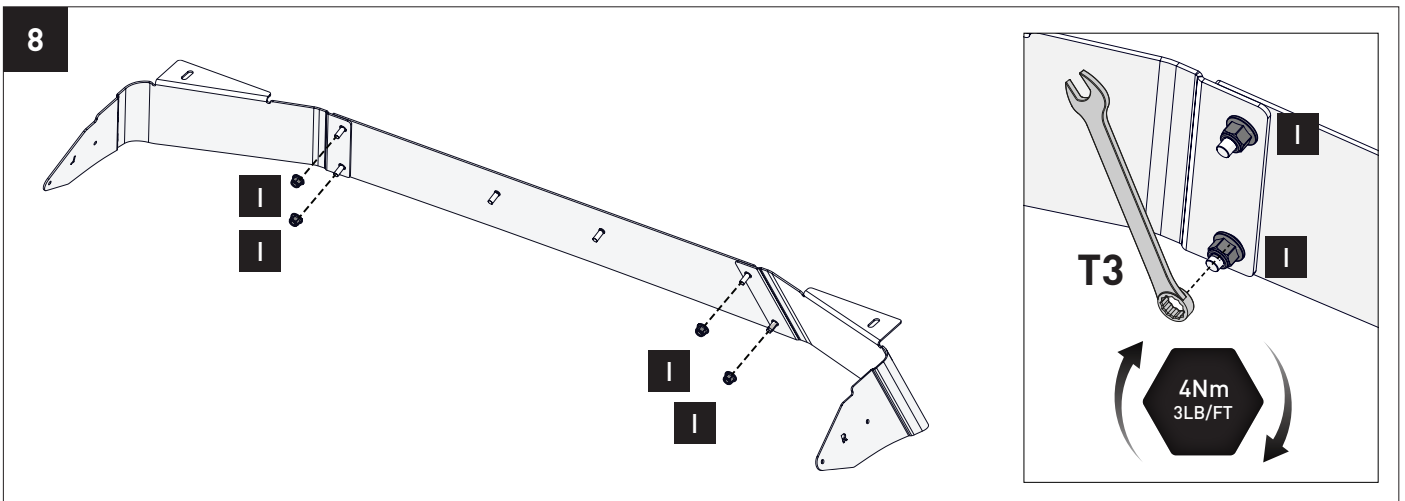
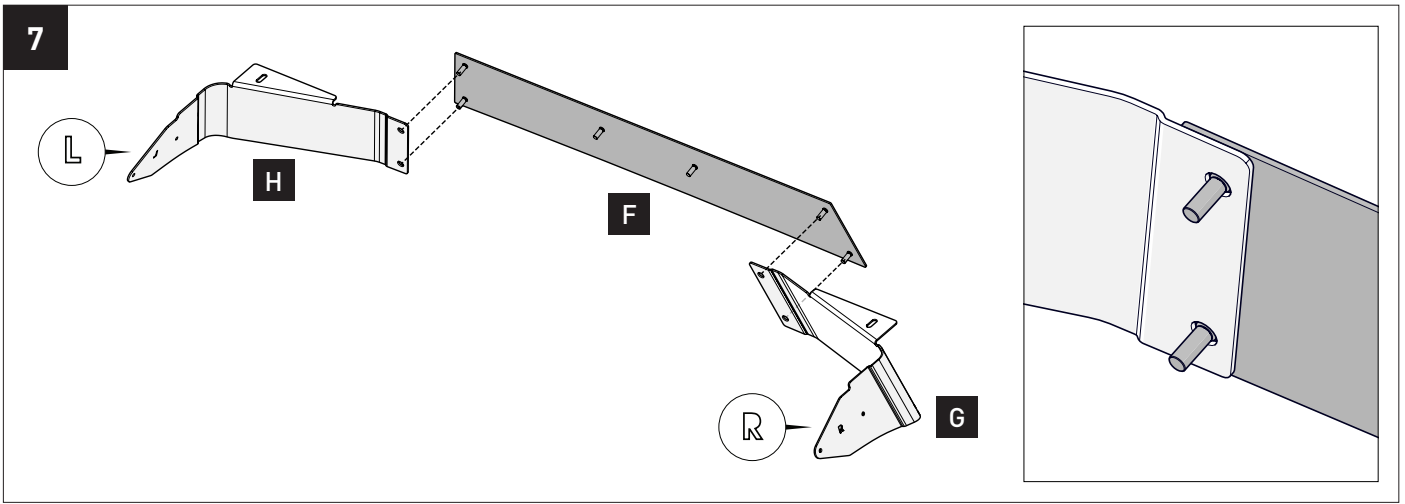
3



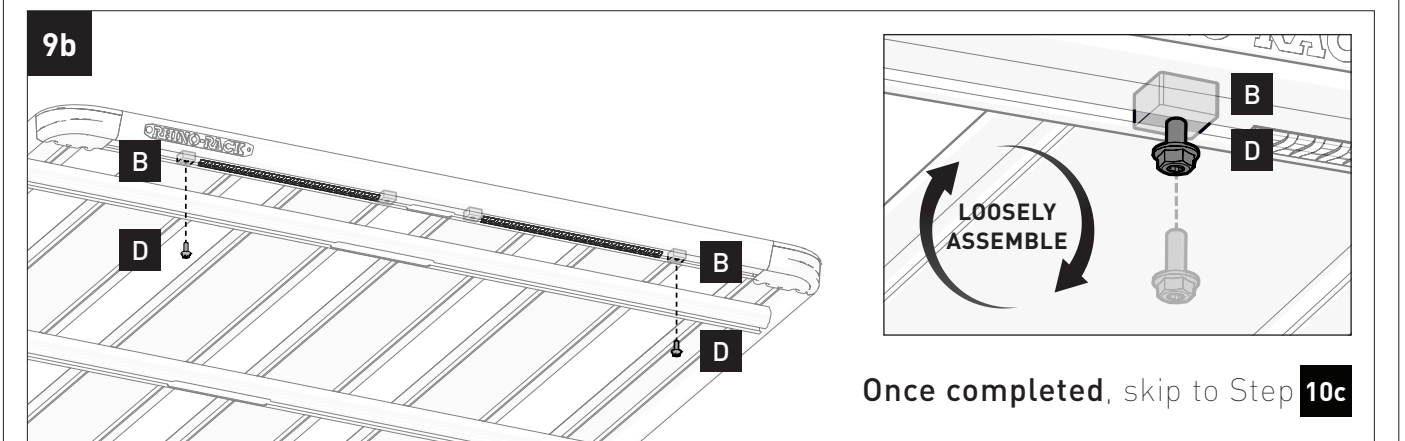
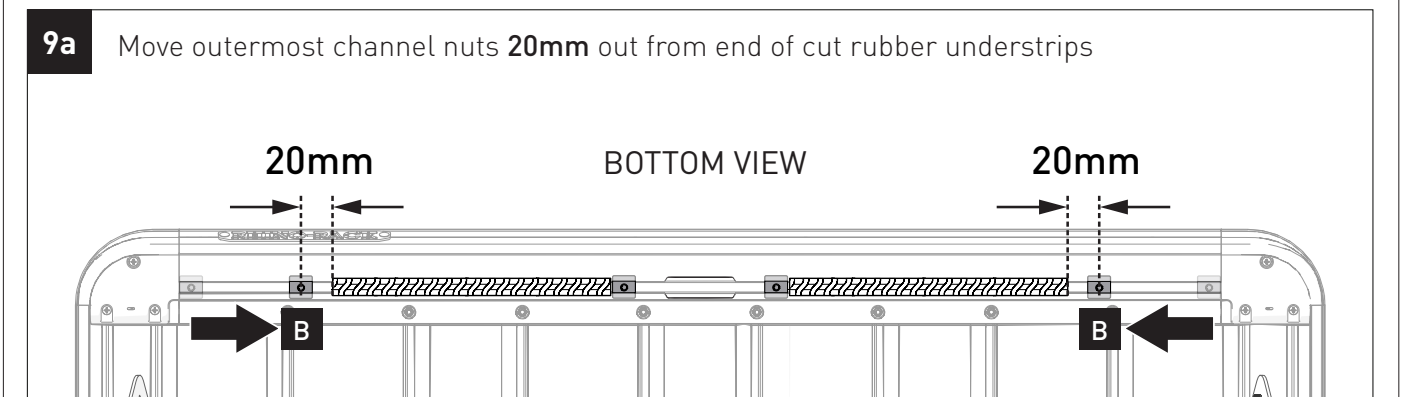


| VEHICLE | E Cut Length (X) |
|---|-------------------|
| FORD Ranger P703 2022 - | 310mm / 12 3/16" |
| FORD Ranger PX Wildtrak w/ RFRB2 2011-22 | 295mm / 11 5/8" |
| FORD Ranger PX3 w/ RTS Tracks & RFRB1 2018-22 | 345mm / 13 5/16" |
| MAZDA BT-50 Gen2 Facelift w/ RTS Tracks & RFRB1 2018-20. | |
| <i>Suitable for vehicles with rear shark fin aerial only.</i> | |
| ISUZU D-MAX Gen3 / MAZDA BT-50 Gen3 | 290mm / 11 7/16" |
| TOYOTA LandCruiser 200 Series | 282mm / 11 1/8" |
| TOYOTA HiLux Gen7 & 8 | 300mm / 11 13/16" |
| TOYOTA Prado 150 Series | 278mm / 10 15/16" |
| NISSAN Patrol Y62 | 315mm / 12 3/8" |

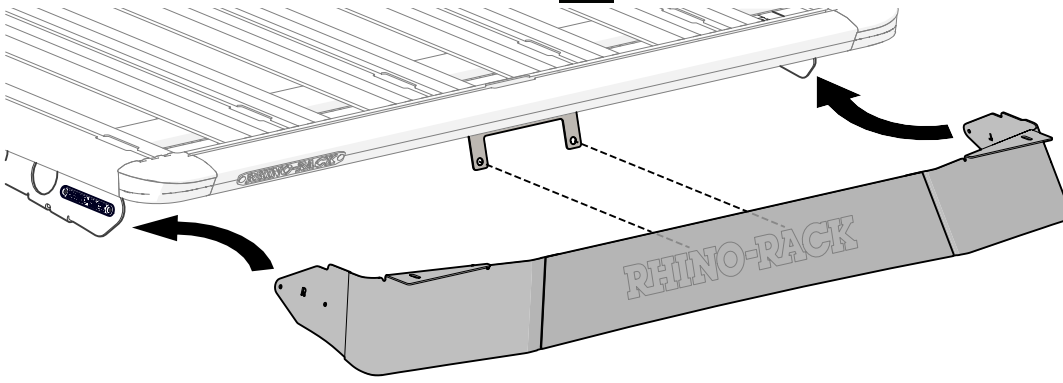




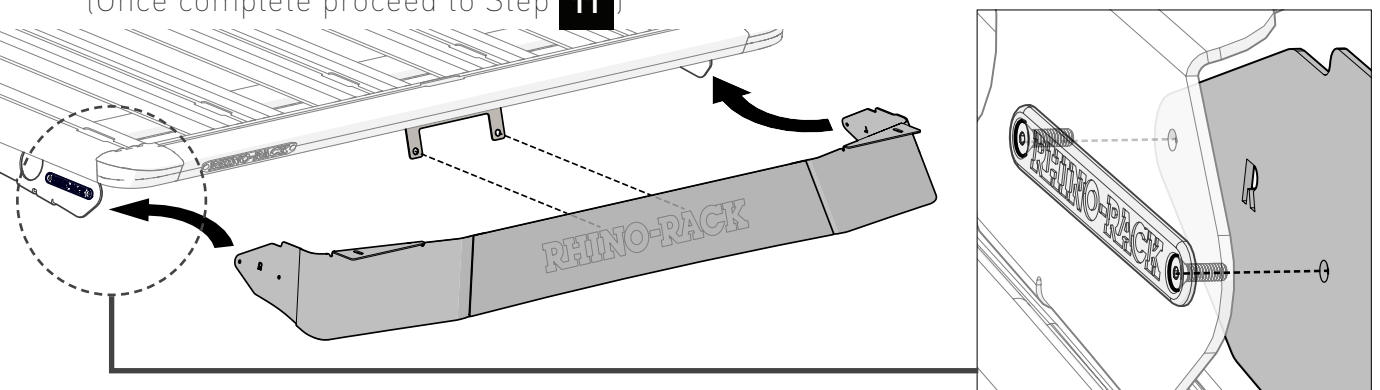
9 For **FORD Ranger PX, MAZDA BT-50 Gen2, TOYOTA LandCruiser 200 Series, Prado 150 Series:** (For other vehicles, skip to Step **10a** or **10b**)



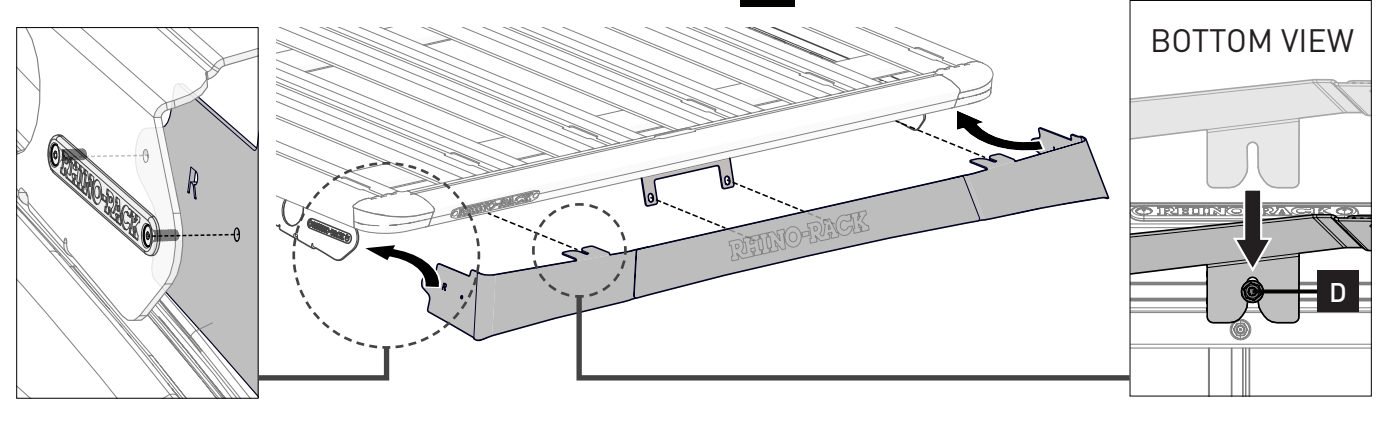
10a For FORD Ranger P703:
 (Once complete proceed to Step **11**)



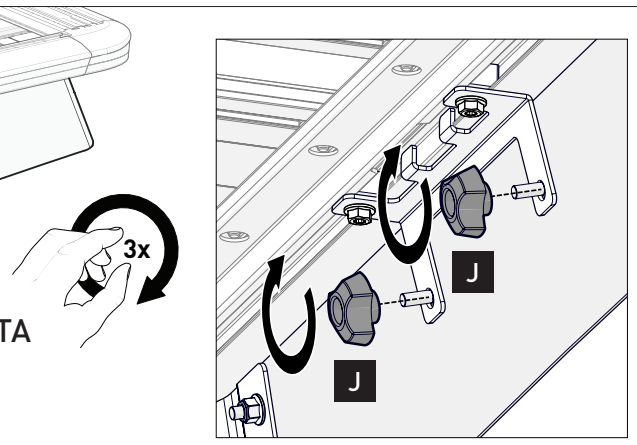
10b For ISUZU D-MAX Gen3, MAZDA BT-50 Gen3, TOYOTA HiLux, Nissan Patrol:
 (Once complete proceed to Step **11**)



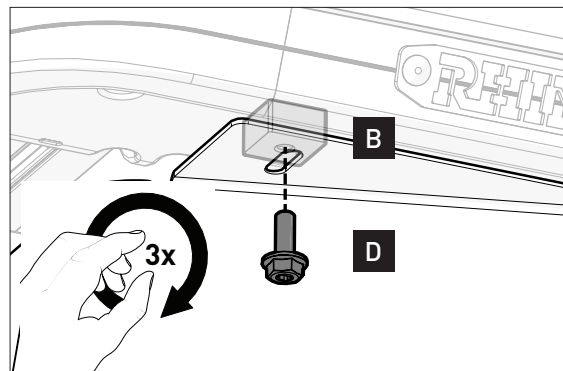
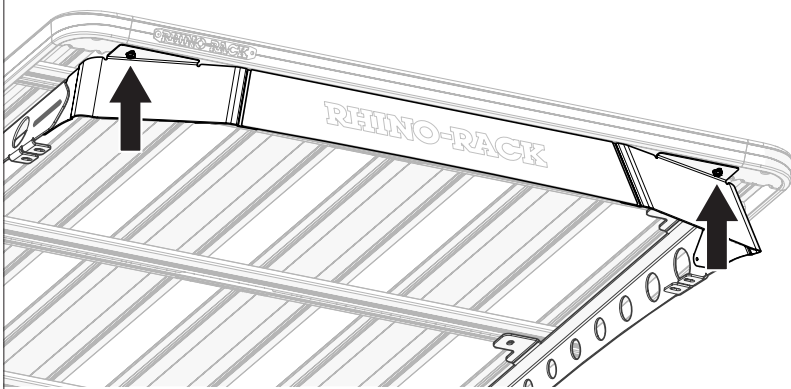
10c For FORD Ranger PX, MAZDA BT-50 Gen2, TOYOTA LandCruiser 200 Series, Prado 150 Series:
 (Once complete proceed to Step **11**)



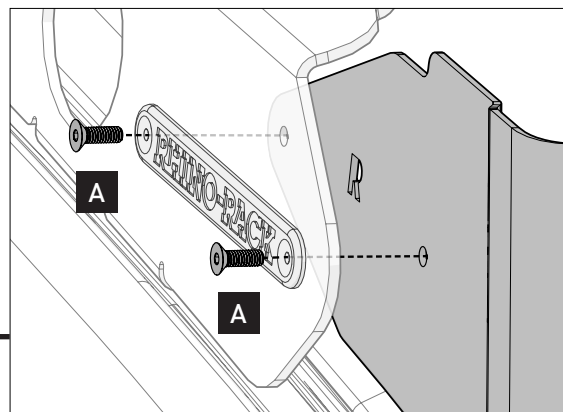
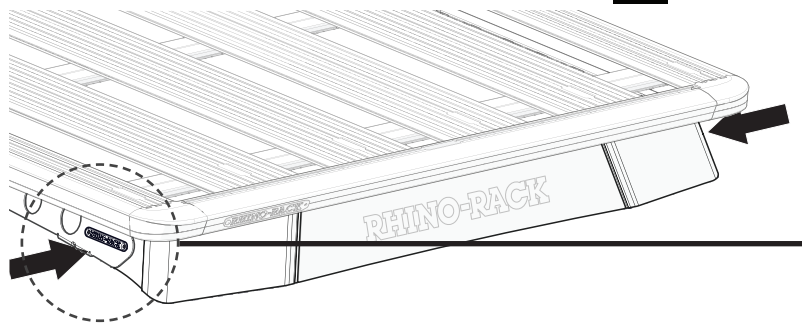
11
 For FORD Ranger PX, MAZDA BT-50 Gen2, TOYOTA LandCruiser 200 Series, Prado 150 Series:
 (Once complete proceed to Step **14**)



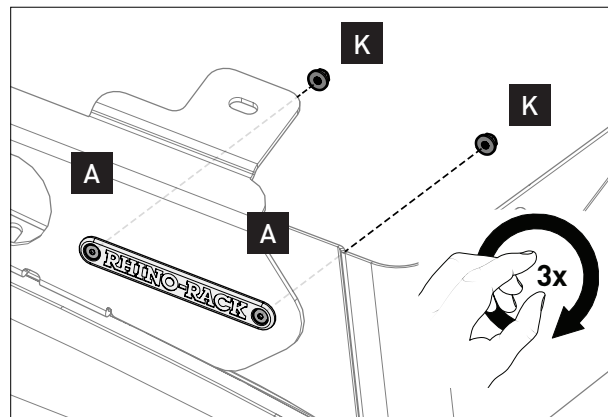
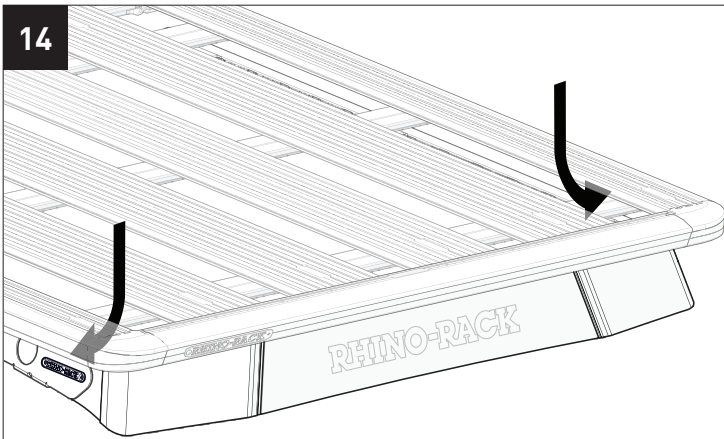
12 For ISUZU D-MAX Gen3, MAZDA BT-50 Gen3, TOYOTA Hilux, NISSAN Patrol, FORD Ranger P703



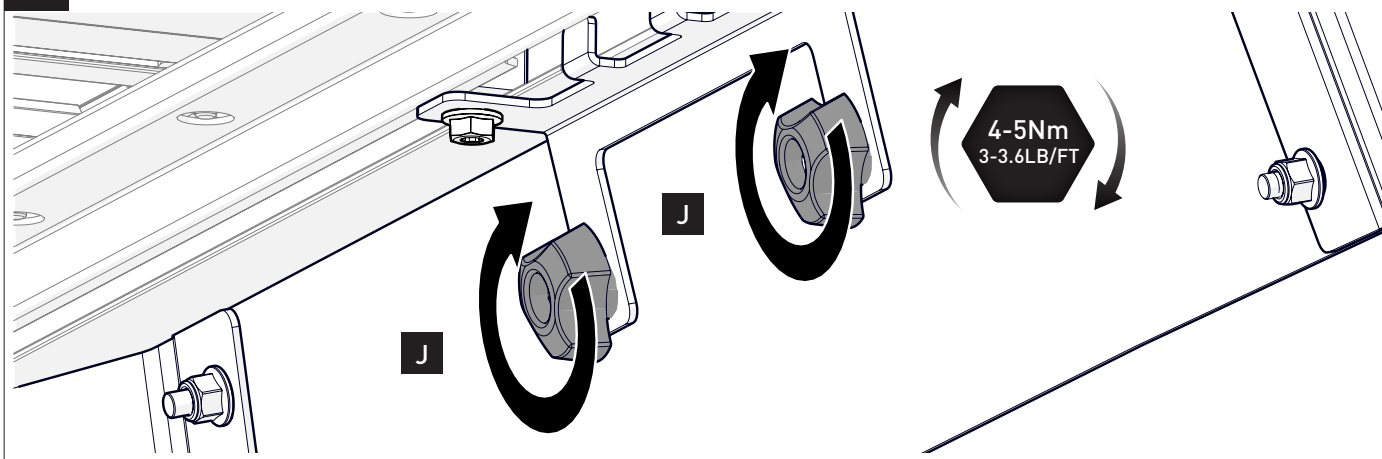
13 For FORD Ranger P703,
For all other vehicles, skip to Step **14**



14



15 Tighten incrementally and evenly until all connections are fully tightened. Continues to next page.



15 cont.

