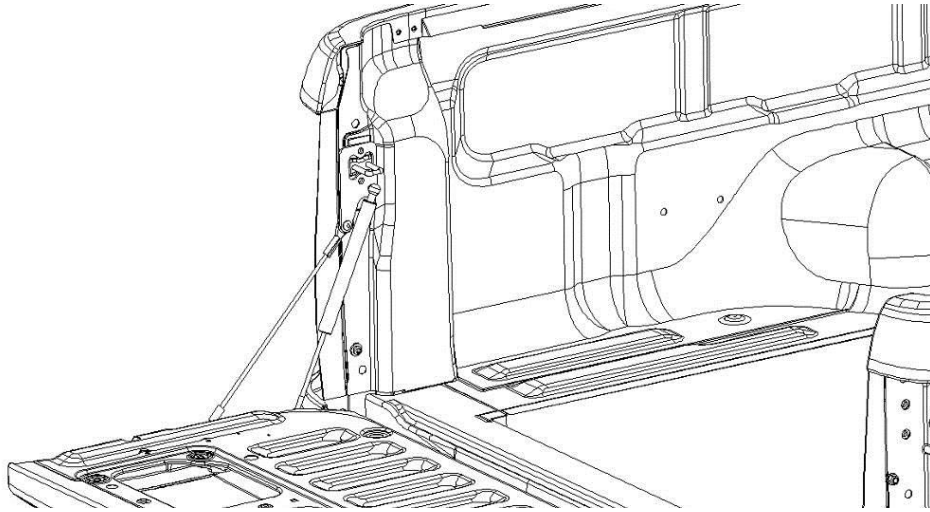


ARB FITTING INSTRUCTIONS

4740050 TAILGATE ASSIST SYSTEM RANGER PXIII 2018+ (WITH OEM TORSION BAR TAILGATE ASSIST)






FITTING KIT: 6177261

IMPORTANT

- ◆ This product must be installed exactly as per these instructions using only the hardware supplied.
- ◆ Failure to follow instructions precisely may lead to failure of the product or result in injury and/or damage to vehicle
- ◆ The installation of this product may require the use of specialized tools and/or techniques.
- ◆ During installation, it is the duty of the installer to check correct operation/clearances of all components.
- ◆ Work safely at all times.
- ◆ Specific installation can vary, so please read the following instructions as they refer to important information, which could affect the quality of the final installation.
- ◆ It is advisable to have these parts fitted by an authorised dealer.
- ◆ **Ensure that the specified torques are used as contained in this fitting instruction is imperative, as failure may occur.**
- ◆ IF IN DOUBT CONTACT ARB FOR FURTHER INSTRUCTION.

HAVE AVAILABLE THESE SAFETY ITEMS WHEN FITTING PRODUCT:

Protective eyewear		Hearing protection		Gloves	
--------------------	---	--------------------	--	--------	---

NOTE: 'WARNING' notes in the fitting procedure relate to OHS situations, where to avoid a potentially hazardous situation it is suggested that protective safety gear be worn or a safe work procedure be employed. If these notes and warnings are not heeded, injury may result.

CARE INSTRUCTIONS:

In general, the Tailgate Assist system is maintenance free with no need for regular attention. However the following should be noted:-

- ◆ When cleaning, use a non caustic soap and avoid aiming high pressure water jets into the seal area.
- ◆ If grinding noises come from the ball sockets, remove the ball sockets (being careful not to lose or damage the clip) and clean any grit from the ball socket and ball.
- ◆ Avoid excessive heat (greater than 80°C)
- ◆ DO NOT grip piston rod with pliers, vice or similar (avoid scratching, denting or bending the rod).
- ◆ Avoid paint overspray, weld or grinding splatter, or materials such as glue.
- ◆ Avoid cleaning products that leave a coating such as silicones.
- ◆ Avoid applying adhesive tape to the piston rod.

TOOL LIST FOR FITMENT:

<ul style="list-style-type: none">• Torque Wrench• Socket driver & socket set.• Torx socket or key set• Allan socket or key set• Philips screw driver set.	<ul style="list-style-type: none">• Drill with 8.5mm drill bit• Deburring tool.• Rust proofing paint• Felt tip marking pen (non permanent)
--	---




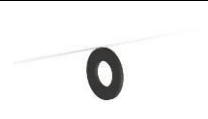




NOTE: FITTING IS DONE ONLY ON THE LEFT HAND SIDE OF THE TAILGATE.

!! IMPORTANT !!

REQUIRED SCREW TORQUES: Refer to steps in fitting instruction

Screw torques must be adhered to. Over torqueing can cause failure of components.

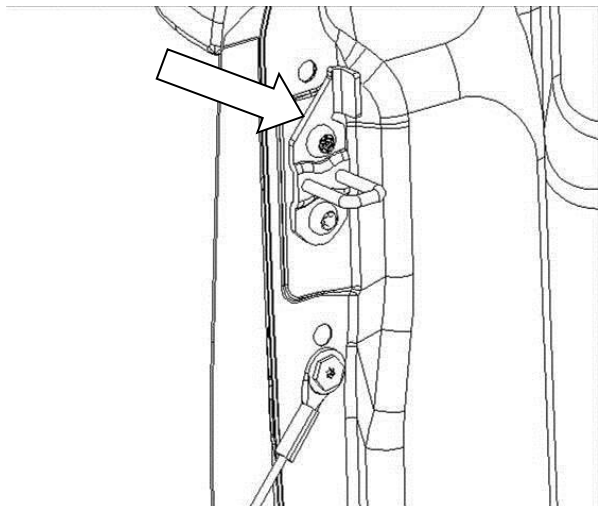
THE FITTING KIT CONTAINS:

1. 6177261	Part No	Picture	Qty	Description
	3195061L		1	UPPER BALL STUD MOUNT LH
	3195063L		1	LOWER BALL STUD MOUNT LH
	4590027		1	DAMPENING STRUT
	4584328		1	M8 FLAT WASHER 1.2MM THICK
	6151548		1	M8 FLANGE NUT
	6151877		2	M10 BUTTON HEAD CAP SCREW
	6151874		1	M8 BUTTON HEAD CAP SCREW
	5848468		1	SPACER CABLE TAILGATE

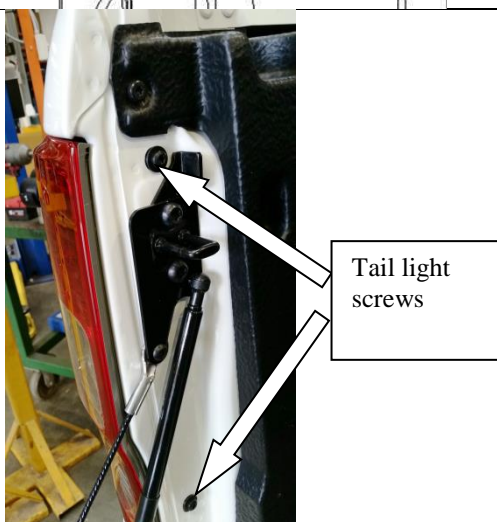
FITTING LHS ASSIST

FITTING IS DONE ON LHS ONLY.

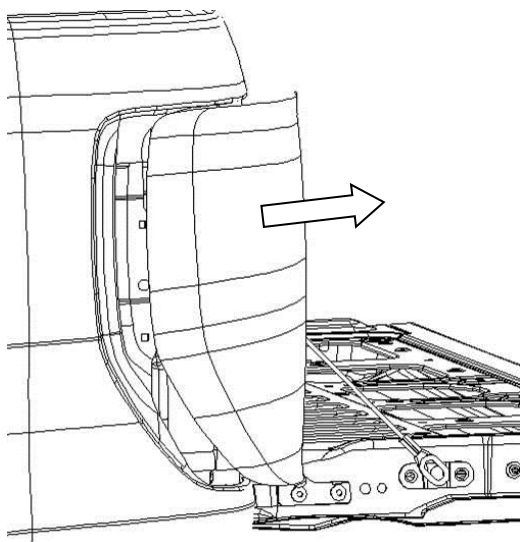
- 1.0) Using a non-permanent felt tip pen mark the outer edge of the tailgate LH latch on tub. This is done to enable the latch to be tightened in it's original position.

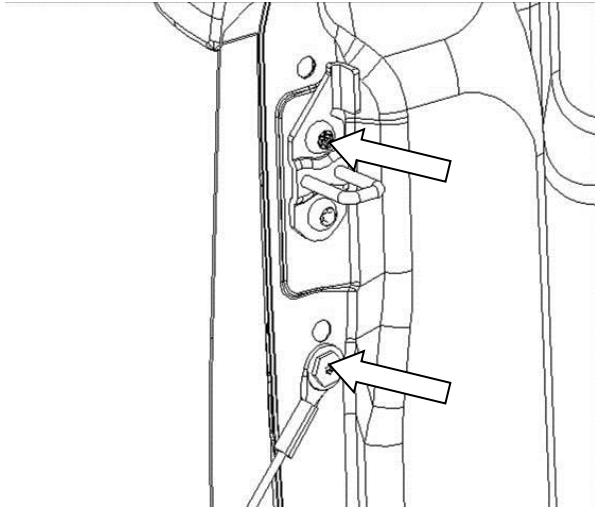


- 1.1) Remove the screws mounting tail light to tub. Carefully remove the tail light and place in a safe location.

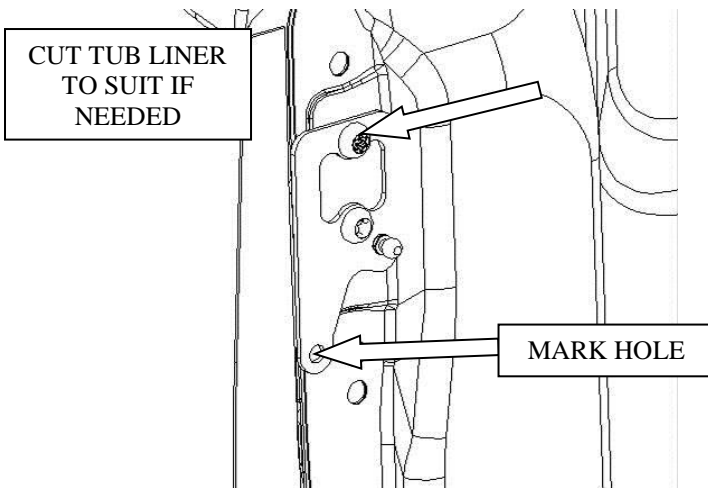


- 1.2) Remove the screws mounting the tail light to tub. These are located on the inner panel near the door latch. Carefully remove the tail light by sliding rearwards. A gentle tap rearwards may be required to free it from it's locating tabs. Place the tail light in a safe location.



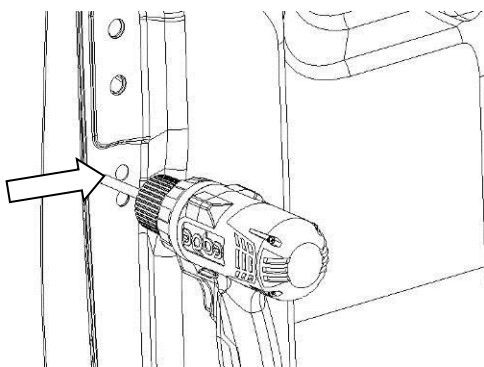


- 1.3) Using a T50 Torx bit remove and retain latch fasteners.
- 1.4) Using a T40 Torx bit remove and discard tailgate limiting strap bolt. Remove the strap from tailgate and set aside. This will be re-used.



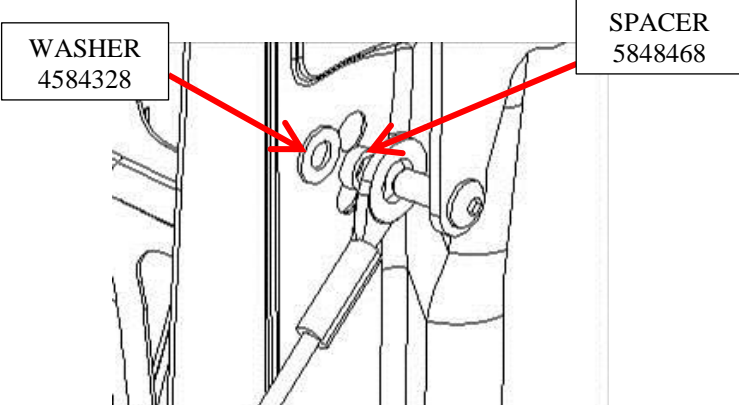
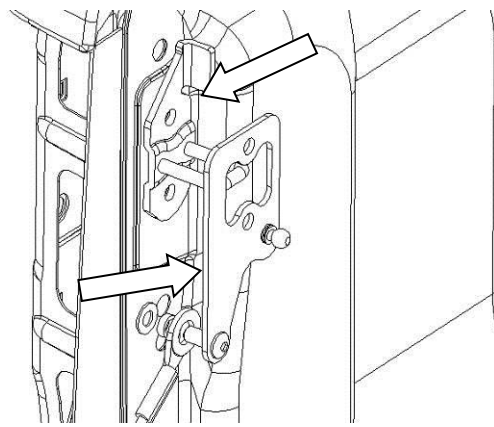
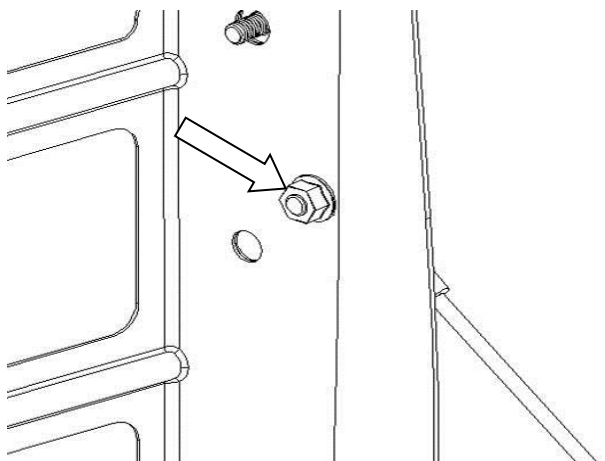
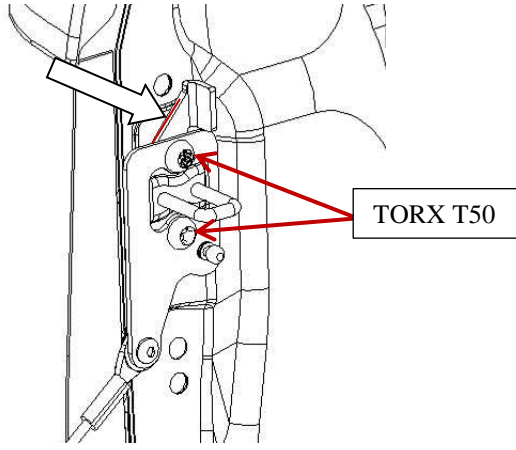
- 1.5) Place mounting bracket (3195061L) against the tub and fasten with original Torx screws. The latch bracket is not required yet. Check for clearance around the tub plastic liner (if equipped) on rear edge of bracket. If needed mark the tub liner and trim to suit bracket.
- 1.6) Using a felt tip pen mark the hole position on the tub through the new strap retaining hole.

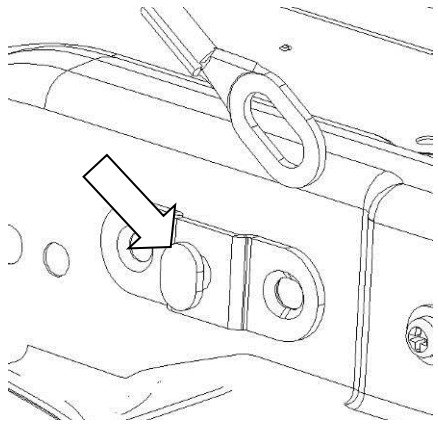
When completed remove bracket and set aside.



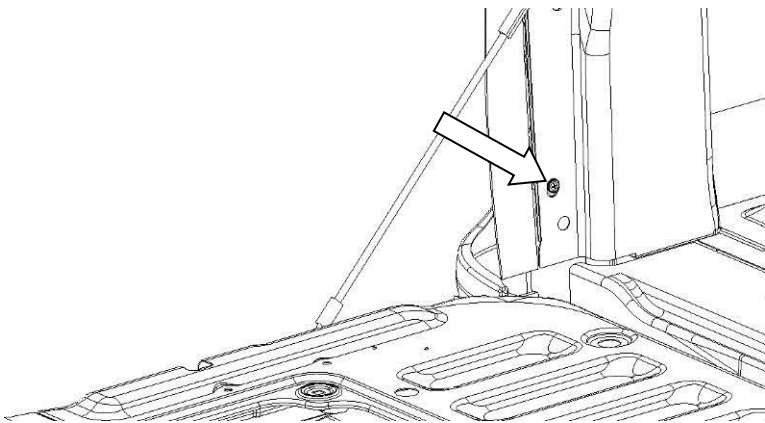
- 1.7) Drill marked hole out to 8.5mm. De-burr and paint or when complete.



 <p>WASHER 4584328</p> <p>SPACER 5848468</p>	<p>1.8) Through the lower hole of bracket (3195061L) place M8 cap screw (6151874). Then place the original cable (round eye end) over screw followed by spacer (5848468) and M8 flat washer (4584328).</p>
	<p>1.9) Now place bracket assembly (3195061L) as prepared in step 1.5 to tub of vehicle making sure to fit the original latch plate between the mounting bracket and the vehicle tub. Loosely secure to the vehicle with original Torx head screws. DO NOT TIGHTEN.</p>
	<p>1.10) From the inside of the tail light cavity fit an M8 flange nut (6151548) to the M8 cap screw (6151874).</p>
 <p>TORX T50</p>	<p>1.11) With all fasteners now in place align the latch bracket to the mark on tub as done in step 1.0.</p> <p>When satisfied tighten all fasteners to 22Nm.</p>



1.12) Lift the tailgate up and re-attach the strap to the mount. Place the tailgate back in the open position.



1.13) At this stage re-fit the LH side tail light using original screws.



Torsion bar

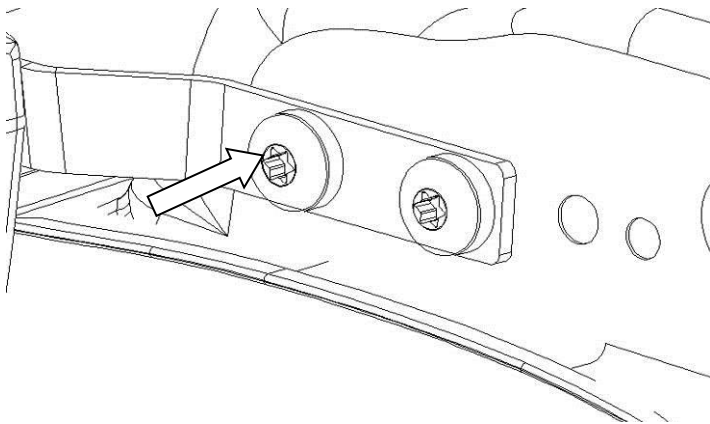
Use 13mm Spanner to undo this bolt.

⚠ Releasing Torsion bar tension is very important before undoing the bolts on the tail gate. Failure to do so may result in misalignment of the bolt to the threaded hole resulting in cross threading.

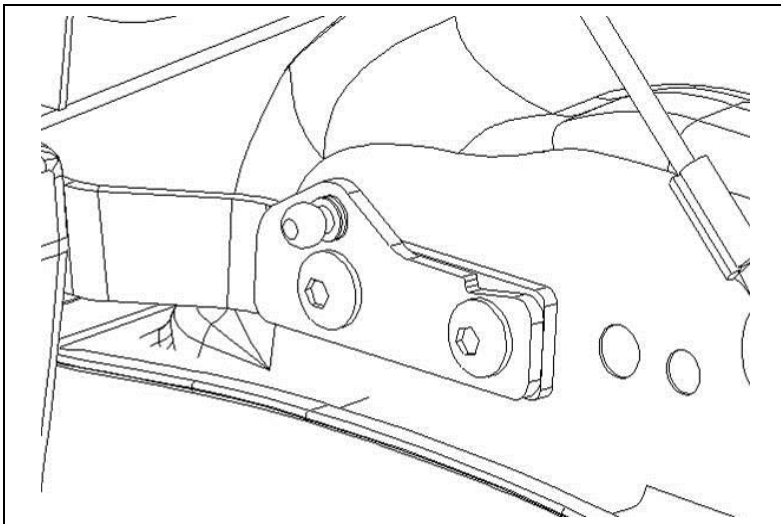
1. Identify the torsion bar holding bolt.
2. Keep the tail gate in closed position.
3. Using 13mm spanner undo the bolt.
4. Remove bolt & keep it in a safe place.

This will ease the tension on the tailgate. Lower the tail gate.

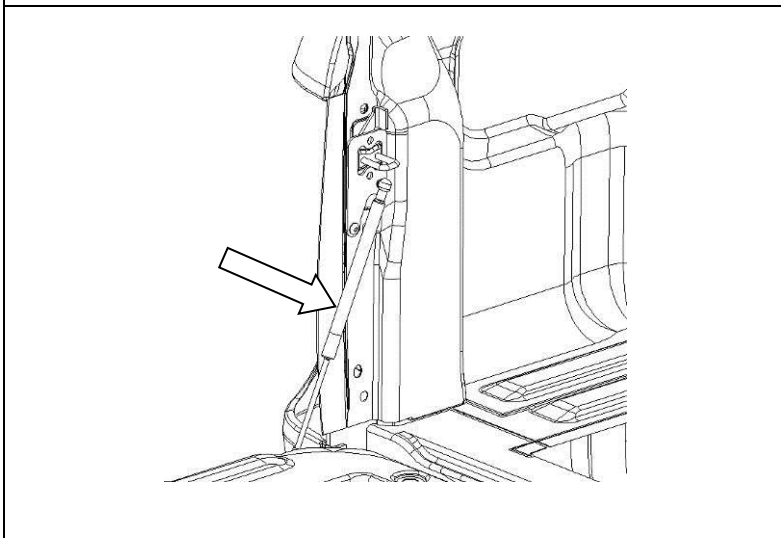
⚠ CAUTION TAIL GATE WILL BE HEAVIER.



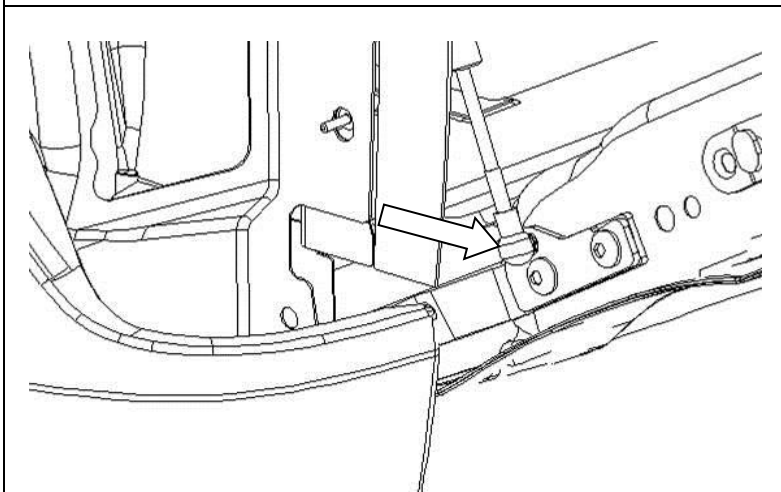
1.14) Using a T50 Torx bit remove and discard the two lower hinge bolts.



1.15) Fit lower mounting bracket (3195063L) to the tailgate using supplied M10 button head cap screws (6151877). Do not force the screw, if tight remove and re-align the brackets with the threaded hole. Screws should be easily hand tightened until the screw head rests on the bracket, then, **tighten to 44Nm**.



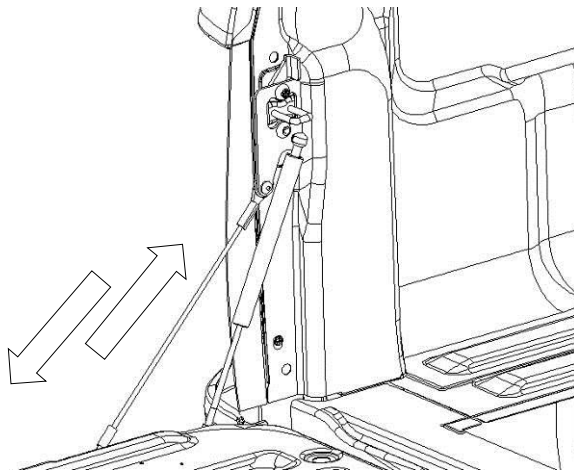
1.16) Fit the Dampener (4590027) to the upper ball stud as shown.. Ensure it has correctly clicked in and that piston rod is facing downwards.



1.17) Fit the lower end of Dampener to tailgate bracket by lifting the tailgate up or by pulling the rod by hand to extend and attach to ball stud.



- 2.1) Close the tail gate and align the torsion bar.
- 2.2) Assemble the hex bolt that was removed previously and tighten it to a torque of 22Nm.



- 2.3) When complete open and close the tailgate to ensure correct operation. Make sure there is no binding, cables protruding or contact of struts to the vehicle tailgate or body of the vehicle.