

ARB FITTING INSTRUCTIONS

AMAROK TAIL GATE LIFT ASSIST KIT TO SUIT VEHICLES WITH TORSION BAR (4770010)



KIT: 6177132

This kit is designed to perform best with the Volkswagen tailgate torsion spring bar fitted as original equipment and not present on all Amarok models. If torsion spring bar is not fitted, this bar and its associated componentry may be sourced independently from your Volkswagen dealer.

Please note: Not all Amarok models will accept OEM torsion spring bar fitment and no guarantee of fitment is either implied or expressed.

IMPORTANT

- ◆ This product must be installed exactly as per these instructions using only the hardware supplied.
- ◆ Failure to follow instructions precisely may lead to failure of the product or result in injury.
- ◆ The installation of this product may require the use of specialized tools and/or techniques.
- ◆ During installation, it is the duty of the installer to check correct operation/clearances of all components.
- ◆ Work safely at all times.
- ◆ Specific installation can vary, so please read the following instructions as they refer to important information, which could affect the quality of the final installation.
- ◆ It is advisable to have these parts fitted by an authorised dealer.
- ◆ **Ensuring that the specified torques are used as contained in this fitting instruction is imperative, as failure may occur.**
- ◆ **IF IN DOUBT CONTACT ARB FOR FURTHER INSTRUCTIONS.**

HAVE AVAILABLE THESE SAFETY ITEMS WHEN FITTING PRODUCT:

29/03/2018

Page 1 of 9




ARB Copyright 2017

3789799

If you have any queries regarding the installation of this product please contact the distributor from whom it was purchased, or alternatively the ARB office in your state.

Head Office – ARB Corporation Ltd VIC: 42-44 Garden Street, Kilsyth, Victoria, 3137 Tel: (03) 9761 6622 Fax: (03) 9761 6807

WA:(08) 9244 3553 NSW: (02) 9821 3633 ACT: (02) 6280 7475 SA: (08) 8244 5001 QLD: (07) 3872 3872 NT: (08) 8947 2262 TAS: (03) 6331 4190

Protective eyewear		Hearing protection		Gloves	
--------------------	---	--------------------	--	--------	---

NOTE: 'WARNING' notes in the fitting procedure relate to OHS situations, where to avoid a potentially hazardous situation it is suggested that protective safety gear be worn or a safe work procedure be employed. If these notes and warnings are not heeded, injury may result.

CARE INSTRUCTIONS:

In general, the Tailgate Assist system is maintenance free with no need for regular attention. However the following should be noted:-

- ◆ Gas tension springs are open systems. As such, avoid that dirt or other particles get into the tension spring through the ventilation hole in the cylinder end.
- ◆ When cleaning, use a non caustic soap and avoid aiming high pressure water jets into the seal area.
- ◆ If grinding noises come from the ball sockets, remove the ball sockets (being careful not to lose or damage the clip) and clean any grit from the ball socket and ball.
- ◆ Avoid excessive heat (greater than 80°C)
- ◆ DO NOT grip piston rod with pliers, vice or similar (avoid scratching, denting or bending the rod).
- ◆ Avoid paint overspray, weld or grinding splatter, or materials such as glue.
- ◆ Avoid cleaning products that leave a coating such as silicones.
- ◆ Avoid applying adhesive tape to the piston rod.

TOOL LIST FOR FITMENT:

<ul style="list-style-type: none"> • Torque Wrench • Socket driver • Triple Square Bit M8 • Allen Key 5mm & 3mm. • Flat screw driver 	
---	--



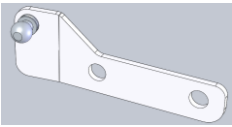






FITTING IS UNDERTAKEN IN THE FOLLOWING STEPS:

1. Fitting the kit RHS
2. Fitting the kit LHS

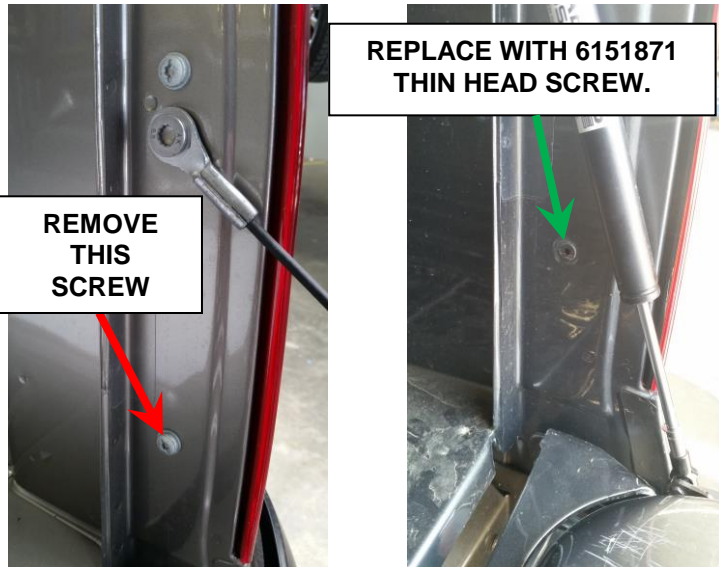
!! IMPORTANT !!
REQUIRED SCREW TORQUES: Refer to steps in fitting instruction

Screw torques must be adhered to. Over torquing can cause failure of components.

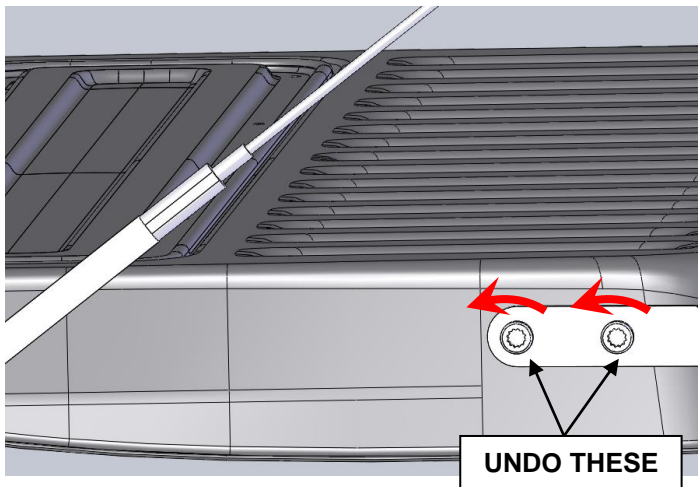
THE FITTING KIT CONTAINS:

1. 4770010	Part No	Picture	Qty	Description
	3750341R		1	UPPER BALL STUD MOUNT RH
	3750341L		1	UPPER BALL STUD MOUNT LH
	3750343R		1	LOWER BALL STUD MOUNT RH
	3750343L		1	LOWER BALL STUD MOUNT LH
	4590028		1	LIFT SPRING STRUT
	4590029		1	DAMPENING STRUT
	4584328		4	M8 FLAT WASHER 1.2MM THICK
	6151871		2	M6 X 16 THIN HEAD SCREW
	6151464		2	M8 BUTTON HEAD CAP SCREW
	5848482		2	SPACER CABLE TAILGATE
	2125702		1	WARNING LABEL

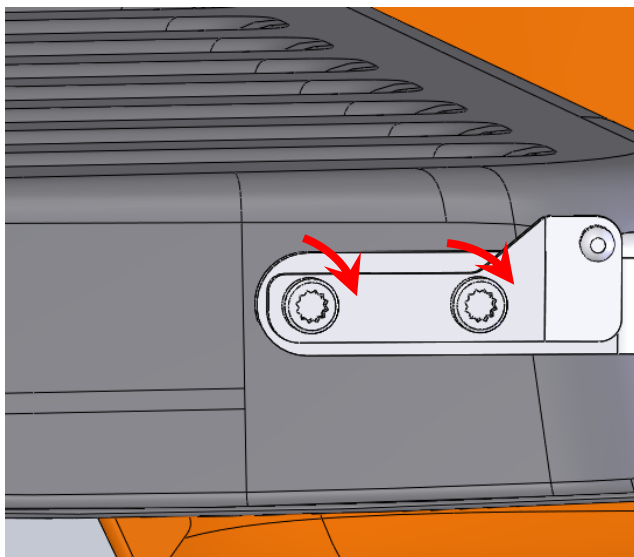
Section 1: FITTING RHS ASSIST



1. Using a flat blade screwdriver, remove the lower lamp cover holding screw.
2. Replace the screw with (6151871) M6 X 16 thin head screw. Using 3mm allen key tighten the screw to 3Nm TORQUE.



3. Using an M8 Triple square bit undo the two screws on the lower tail gate hinge and retain them.

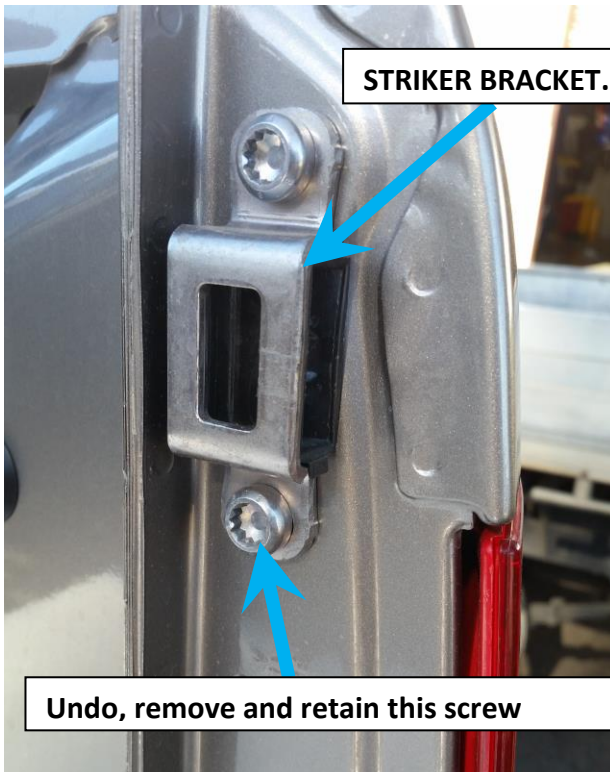


4. Place 3750343R Lower Ball Stud Mount RH as shown.
5. Put the screws back in **and tighten them to 22Nm Torque.**

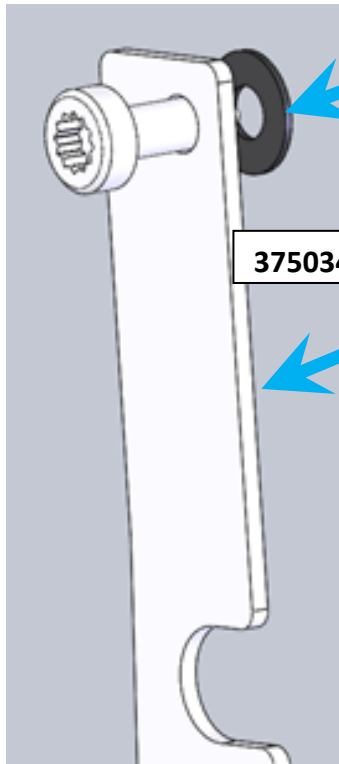
UNDO THIS SCREW AND REMOVE IT. STRAP WILL REMAIN RETAINED BY LOWER SCREW ON TAILGATE.



6. Using M8 Triple square bit undo the screw that holds the cable strap at the body end and remove it.



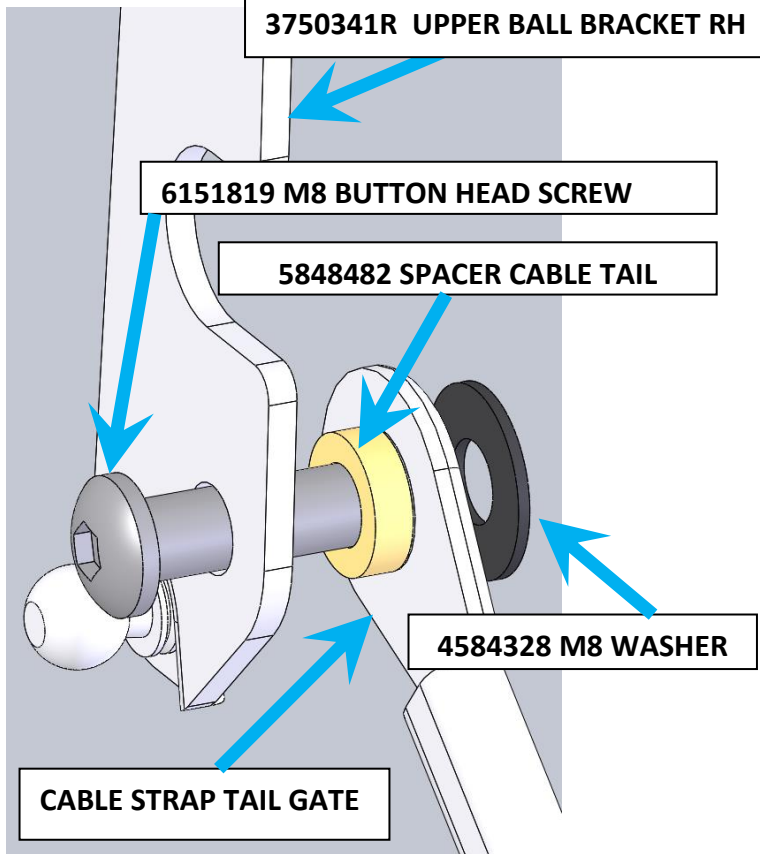
7. Using an M8 Triple Square Bit, undo and remove the lower screw of the striker bracket above the cable strap holding screw on the body. Retain the screw.



45814328 M8 WASHER

3750341R UPPER BALL BRACKET RH

8. Select Upper Ball Bracket (3750341R) and (4584328) M8 flat washer. Using the original M8 screw removed in the previous step, insert the screw first through the Bracket, then through the washer and finally the striker bracket on the vehicle. Align with M8 hole and do up loosely.



3750341R UPPER BALL BRACKET RH

6151819 M8 BUTTON HEAD SCREW

5848482 SPACER CABLE TAIL

4584328 M8 WASHER

CABLE STRAP TAIL GATE

9. Rotate the Upper Ball Bracket (3750341R) and insert M8 Button Head Screw (6151819) into the Bracket (3750341R) hole, insert spacer (5848482) on to the screw and original Cable Strap onto the spacer. Then place Flat Washer (4584328) behind the Cable Strap. Now align the M8 x 25 screw with the M8 hole on the vehicle and do up.
10. Tighten both the top & bottom screws securing the bracket to **22Nm**.



3750343R LOWER BALL BRACKET

11. Fit the larger body spring assist strut (4590028) to the lower (tailgate) ball stud as shown.
DO NOT REMOVE EXTENSION CLIP YET. Ensure it has correctly clicked in and that the piston rod is facing downwards.



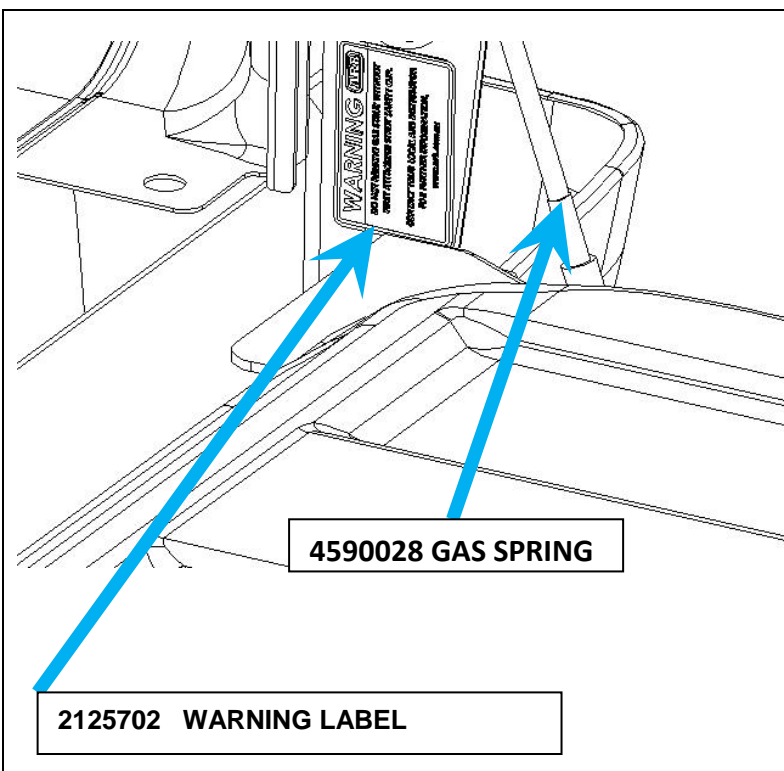
Do not remove the Extension Safety Clip yet.



3750341R UPPER BALL BRACKET RH

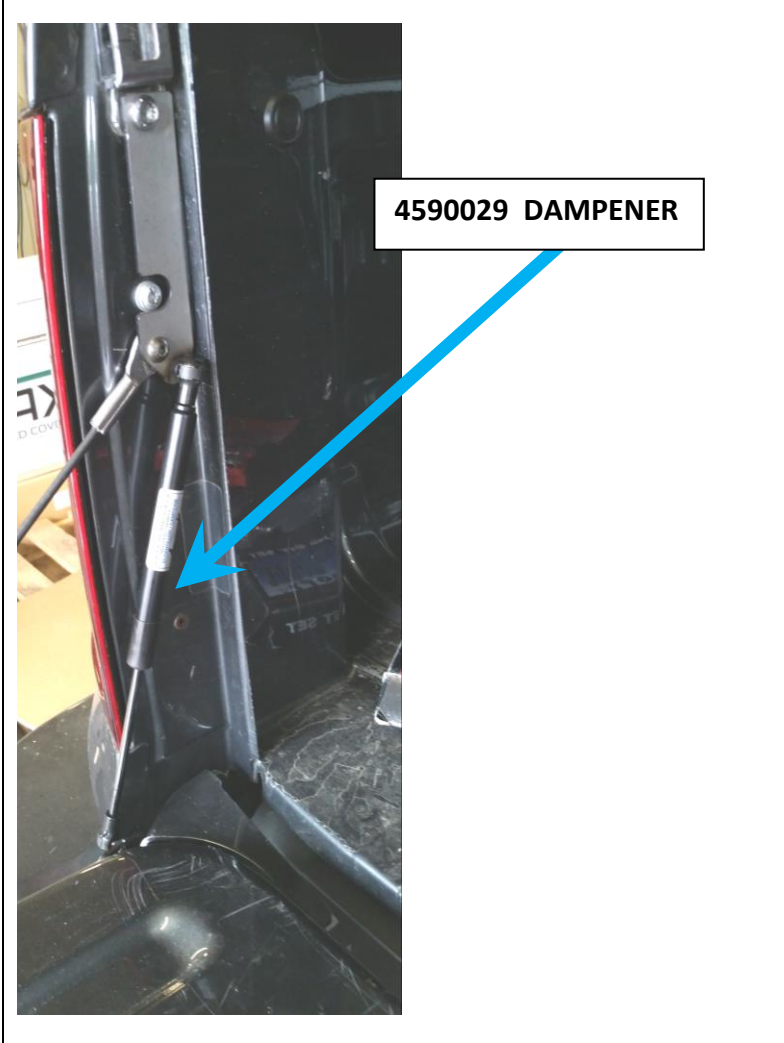
12. Fit the upper end of the strut to the body bracket by lifting the tailgate up and attaching to the ball stud.
13. Ensure Gas Spring ends are secured properly, lower the tail gate allowing gas spring to extend and gently but firmly remove the extension clip.

Place the extension clip in the vehicle's glovebox.



14. Attach Warning Label as shown on to the body of the vehicle on RH side.

Section 2: FITTING LHS ASSIST



15. Use the same procedure as mentioned in section 1 for the LHS components except to place the narrower body strut onto the ball studs (4590029). This strut is a damper and its piston can be moved inwards and outwards by adjustment to assist with alignment.

Ensure m8 fasteners on LHS are torqued to 22Nm.



16. When complet, open and close the tailgate to ensure correct operation. Make sure there is no binding, cables protruding or contact of the struts to the vehicle tailgate or body of the vehicle.