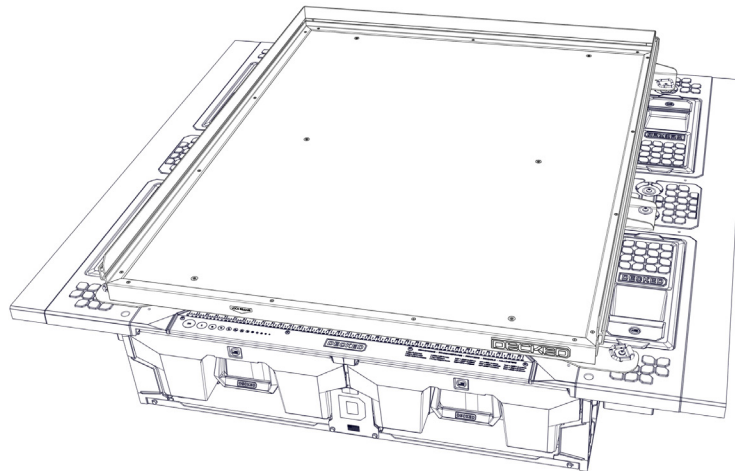




INSTALLATION INSTRUCTIONS*



CARGOGLIDE TO DECKED DRAWER SYSTEM CG1000 ONLY **FULL SIZE TRUCKS**

*Trust us on this one; don't go commando and attempt your install without reading.
You'll just cuss a bunch and create even more chaos in your truck bed.

URC358

TOOLS REQUIRED

- 3/16" hex wrench
- 1/2" socket
- Trusted friend with a weak mind and a strong back.

INSTALL VIDEO

High tech link to video here or you can visit decked.com/video



CONTENTS

INTEGRATION BRACKETS - 6
ANCHOR HARDWARE - 12 SETS

HEY! TORQUE BOY

READ BEFORE YOU INSTALL

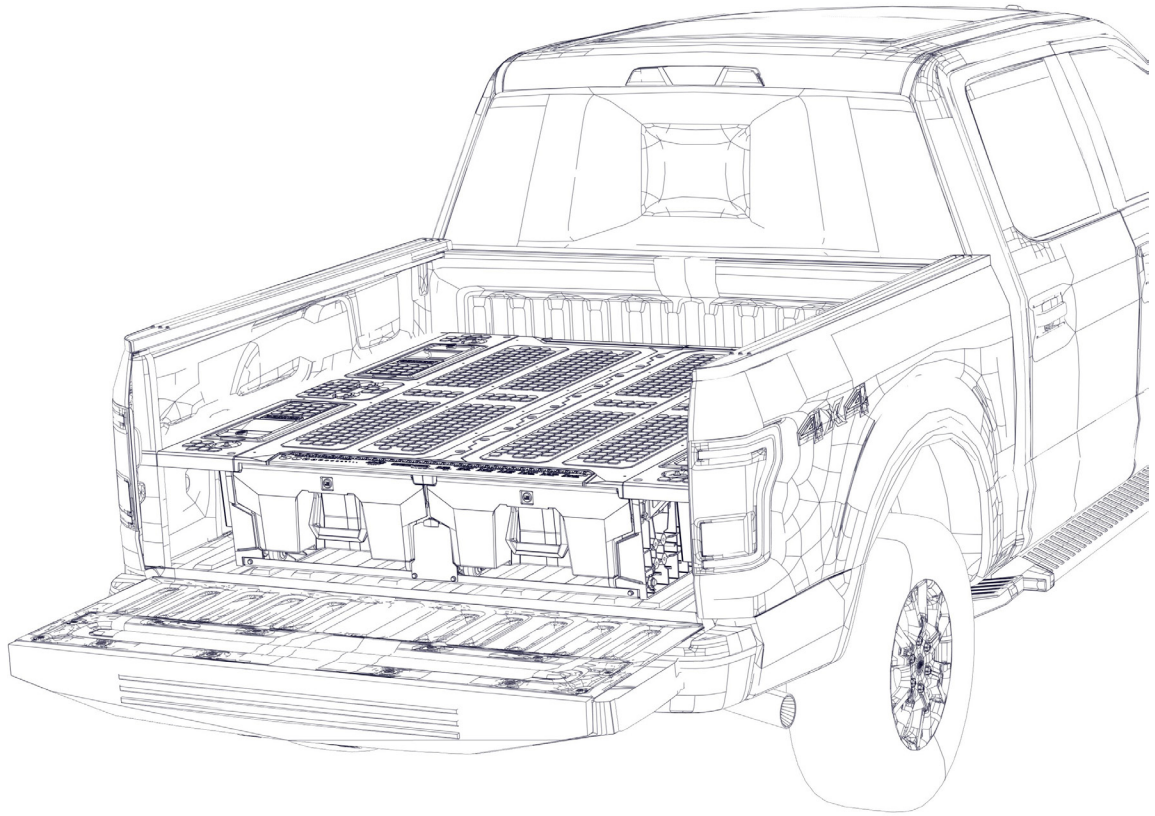
Welcome to DECKED! In a world of crappy instructions, bad advice, and questionable sources of truth, we are here to make sure that your install goes as smoothly as possible, saving you headaches and heartburn. That said, your part is to read the darned instructions!

Does your DECKED drawer system have ammo cans?

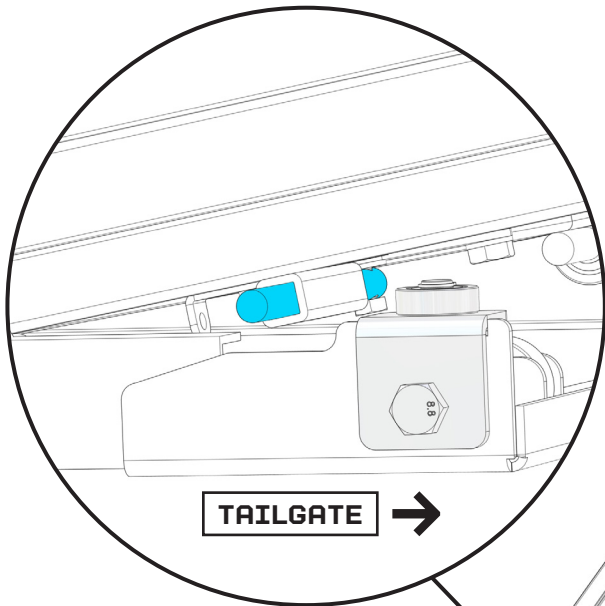
This install is not for you - you'll need the other CargoGlide to Drawer System hardware kit. Please call us: 208-806-0251.

STEP 1: PREP YOUR BED

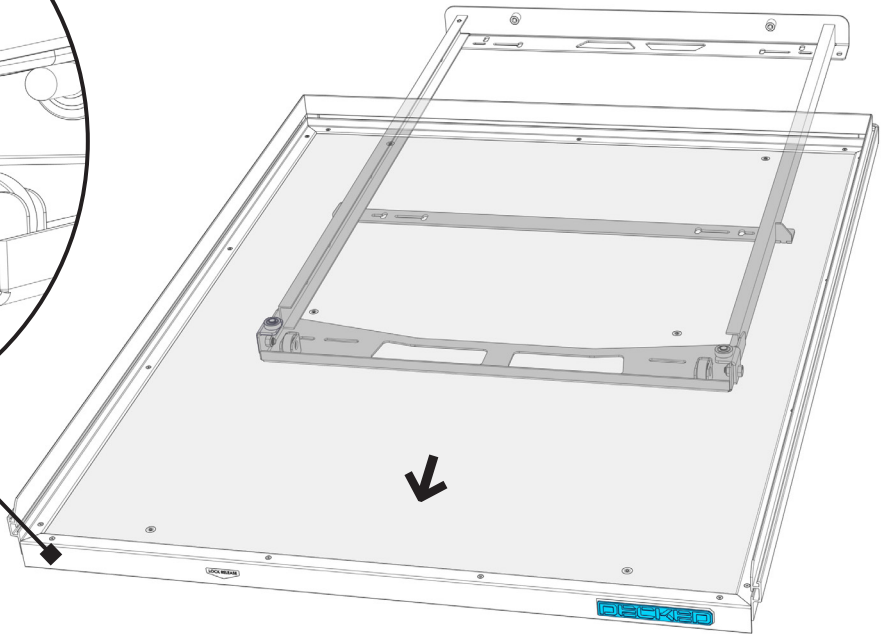
1. Install the DECKED drawer system as instructed.
2. Remove the tray from the CargoGlide. Now's the time to bribe your buddy for help.
3. Hold the lock release handle in the unlocked position and pull the deck platform out as far as possible. Continue to hold the lock release and lift the deck platform up at a 45° angle and pull the deck out even further past the stopper blocks on the bottom frame until the deck stops again. Carefully lower the front of the CargoGlide deck platform (tailgate end) to lift the wheel bearings up and out of the slots placed on the top side of bottom frame C-channels.
4. Do not allow latch pin to hit side placement bearing assembly.
5. Set the tray aside in a safe place.



INSTALL DECKED DRAWER SYSTEM



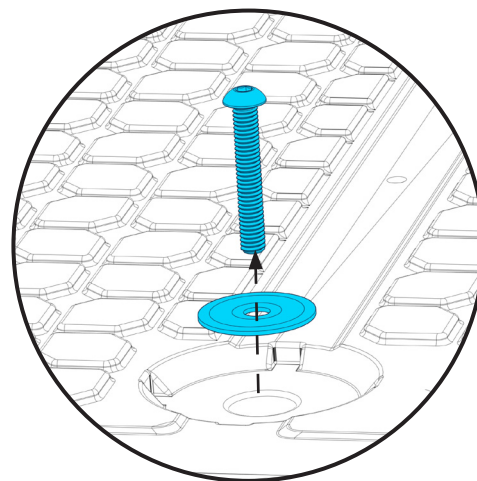
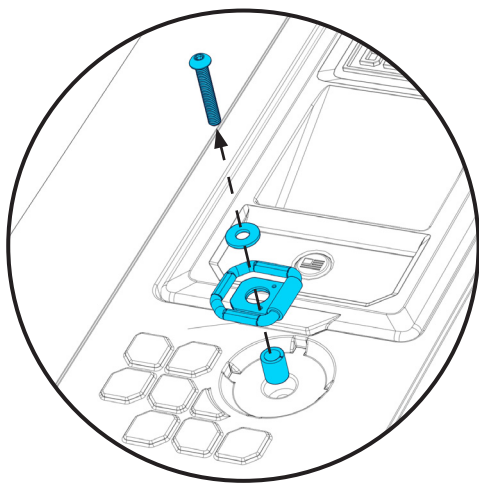
TAILGATE



SQUEEZE RELEASE, PULL TRAY OUT AND UP TO RELEASE PIN

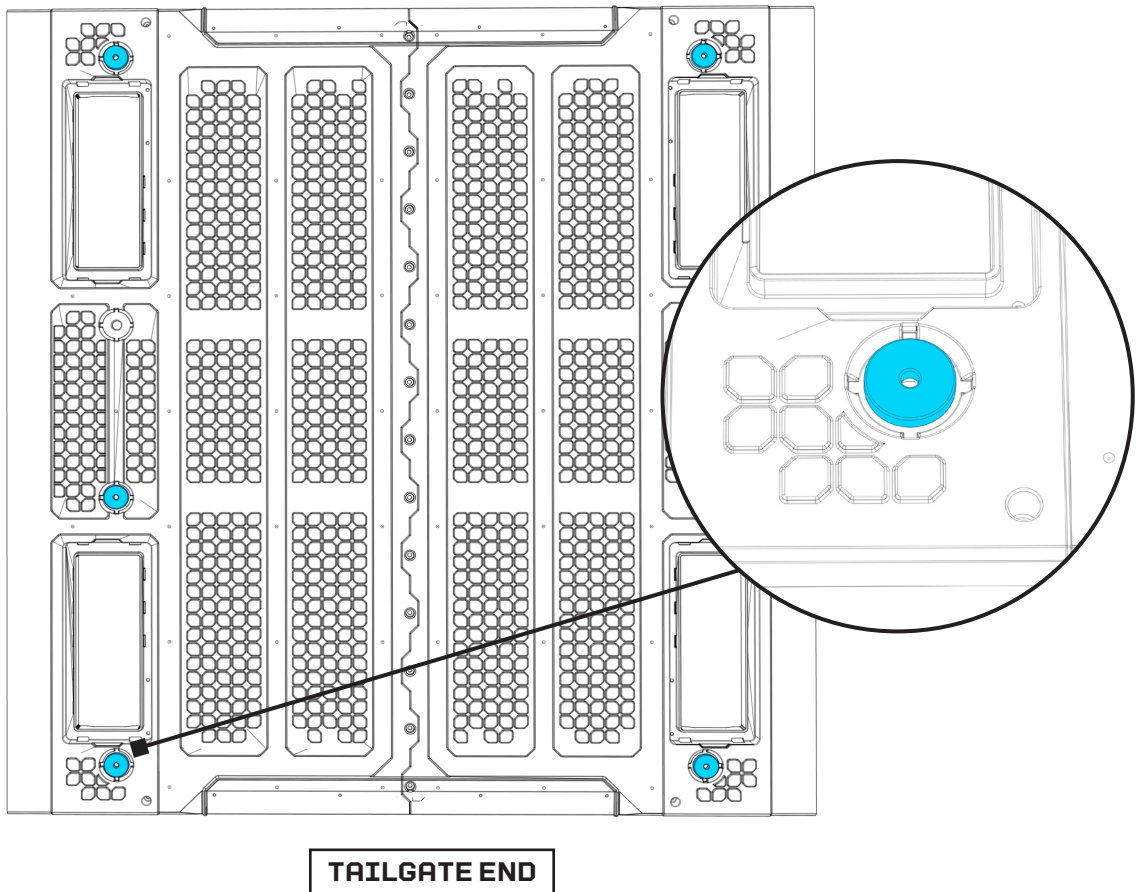
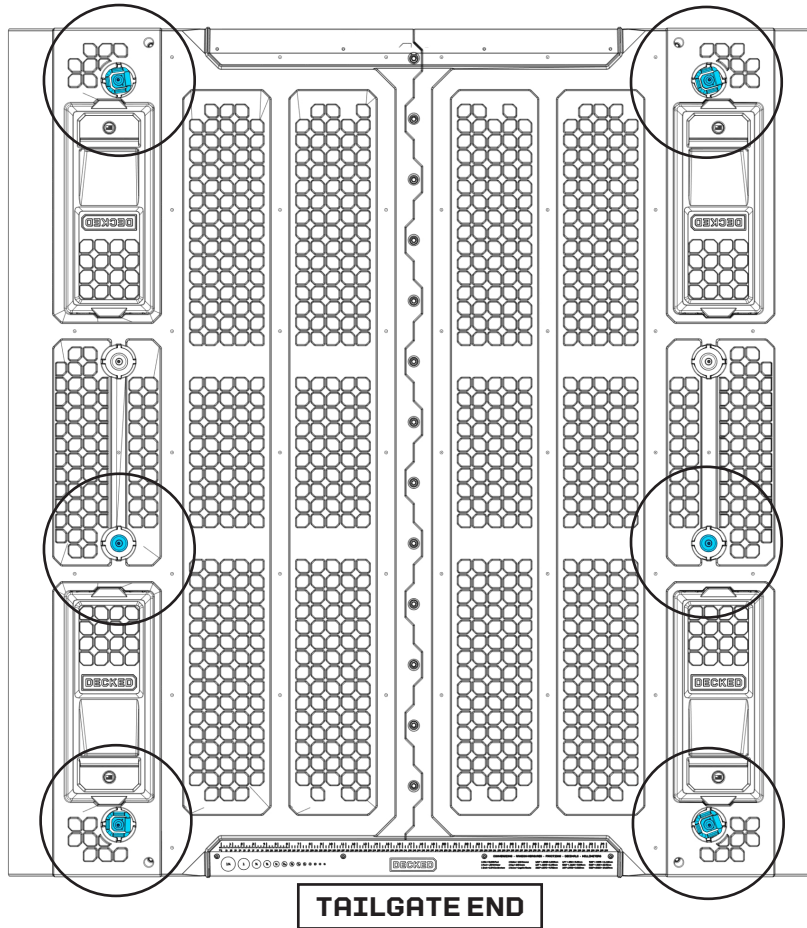
STEP 2: PREP DECKED

1. Remove the four corner D-Rings from the drawer system. (It was necessary to install these earlier for proper panel alignment - we didn't waste your time). Save the hardware.
2. Remove the TAILGATE side mid-panel bolts and washers only. Save the hardware.



3. Place a bracket spacer in the four corner depressions and the two tailgate side mid-panel depressions.

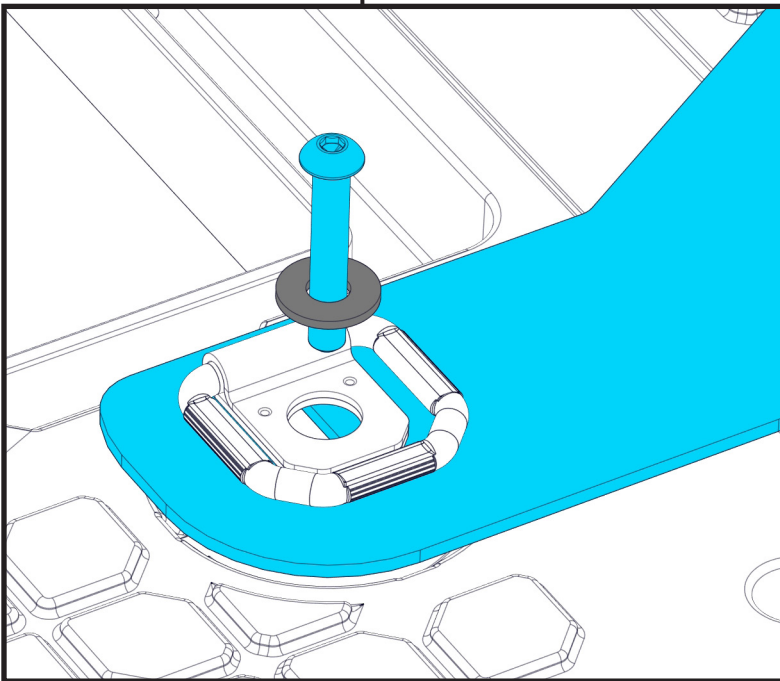
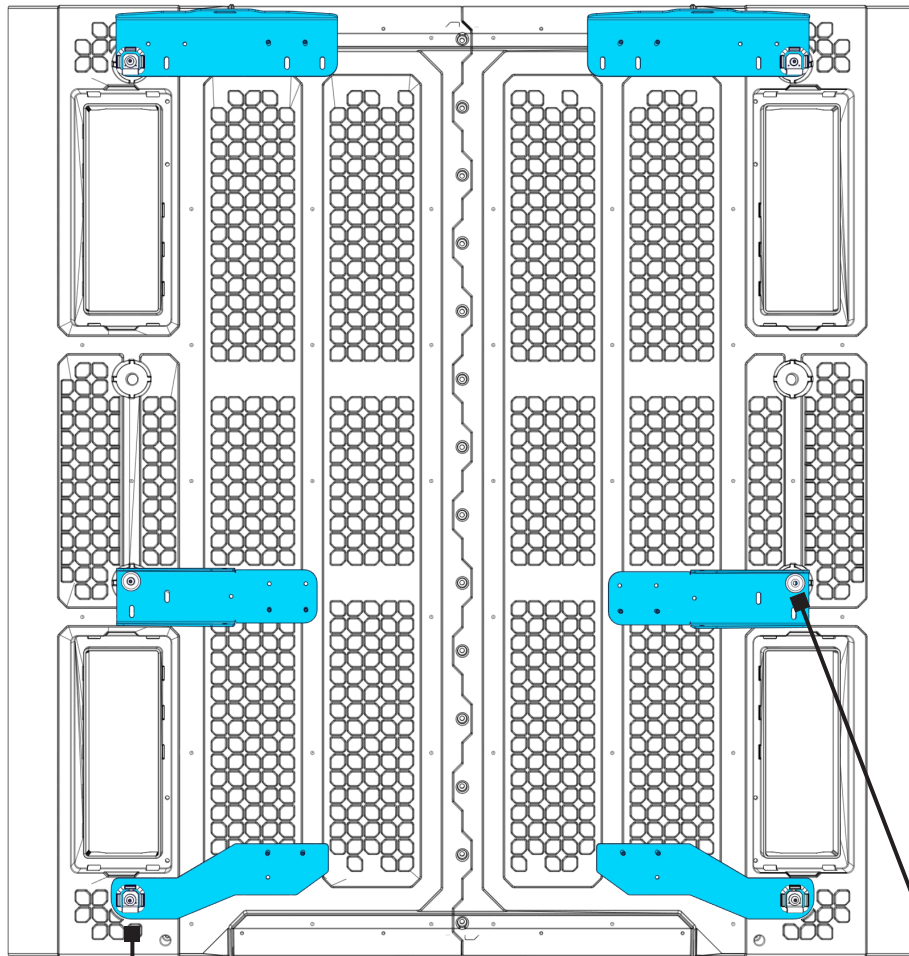
REMOVE THESE



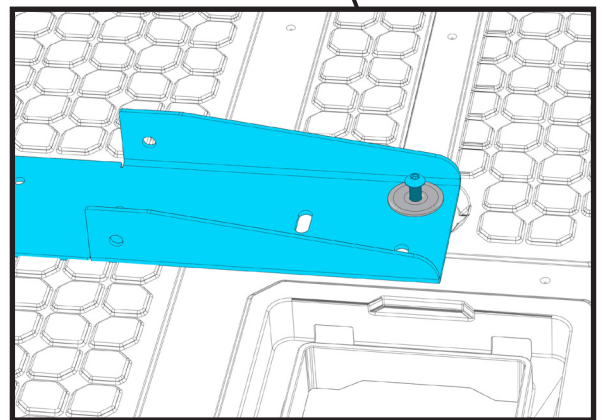
STEP 3:

BRACE YOURSELF

1. Place the DECKED no-drill brackets as shown. The mounting pins must be facing up.
2. You have the option of re-installing the D-Rings or just the washers and D-Ring bolts. Place a D-Ring directly on top of the no-drill bracket at the corner D-Ring locations, or if no D-Ring is desired, place a D-Ring washer or large washer here. Position the D-Ring where you want it; it won't spin after installation. Leave these loose for now.
3. Install the D-Ring bolts you removed earlier either through the washers and D-Rings or washers and through the no-drill brackets into the C-Channel tie down brackets. Leave these loose for now.



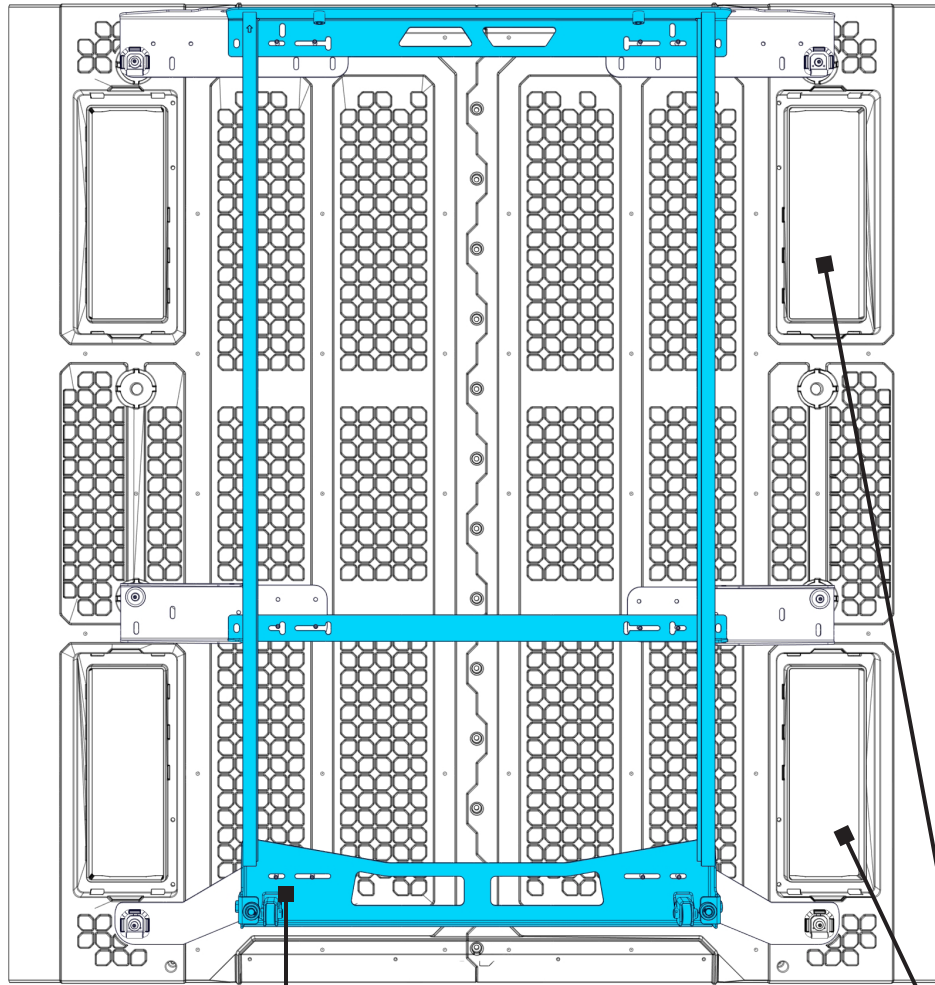
D-RING INSTALL



BOLT/WASHER INSTALL

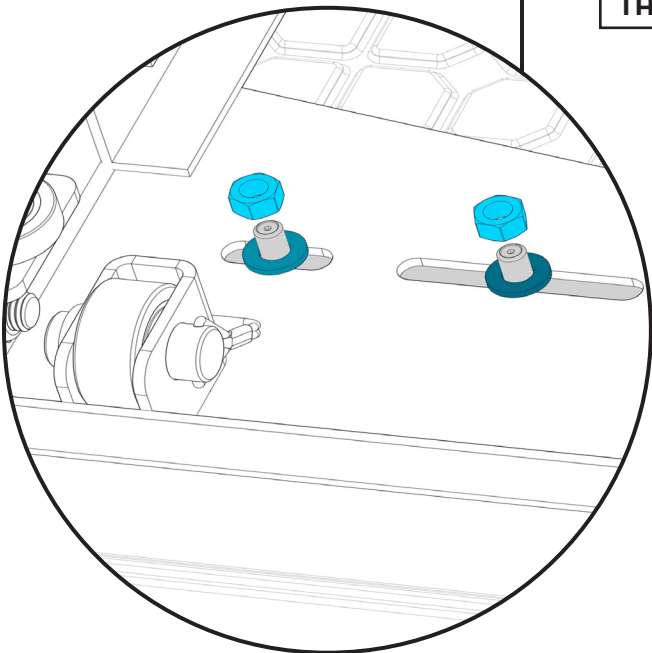
STEP 4: FRAME IT

1. Find your buddy and carefully place the CargoGlide bottom frame on top of the the no-drill brackets, aligning the frame slots over the bracket pins. The wheels on the CargoGlide frame must be on the tailgate side.
2. Install 12 washers and nuts on the no-drill bracket pins. Leave loose for now.
3. Install any STASH BINS where you want them now. Depending on your truck, they may not be removable once the CargoGlide tray is installed.
4. Install STASH BIN LIDS.



TAILGATE END

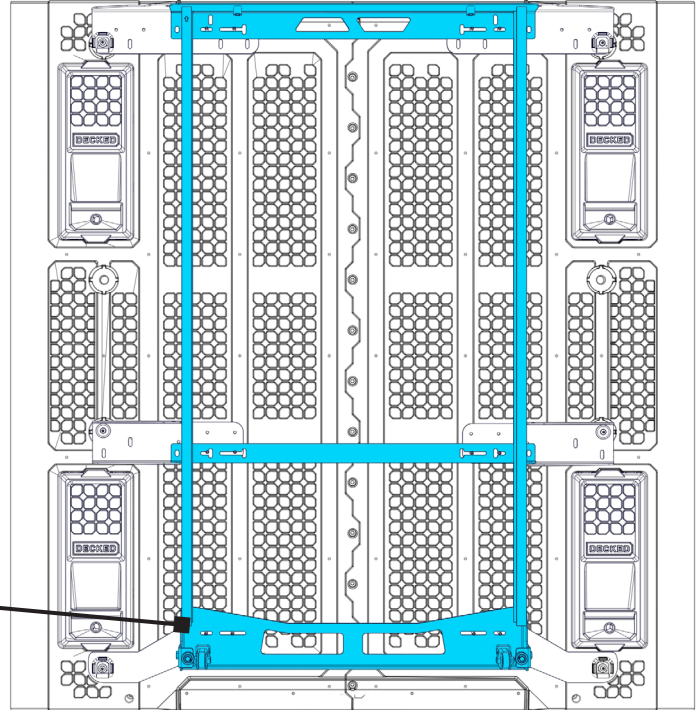
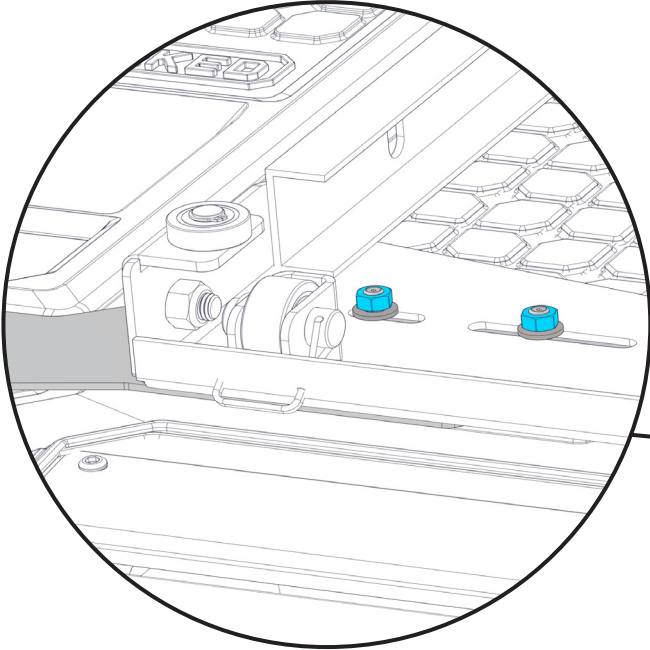
INSTALL STASH BINS NOW



STEP 5: WORK IT

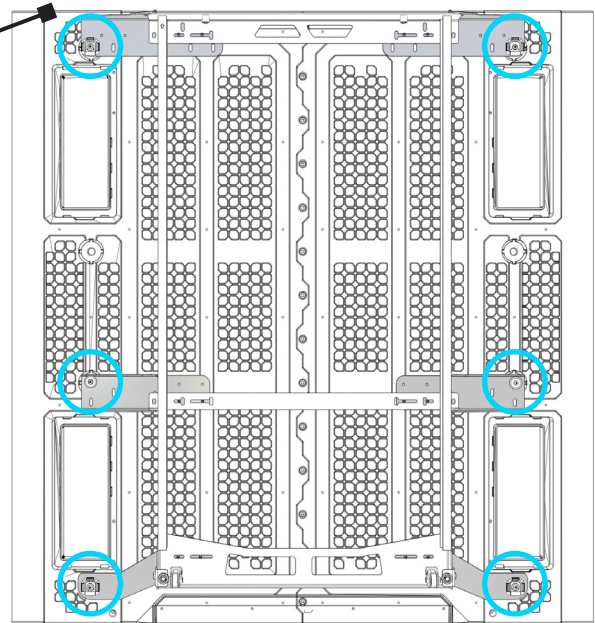
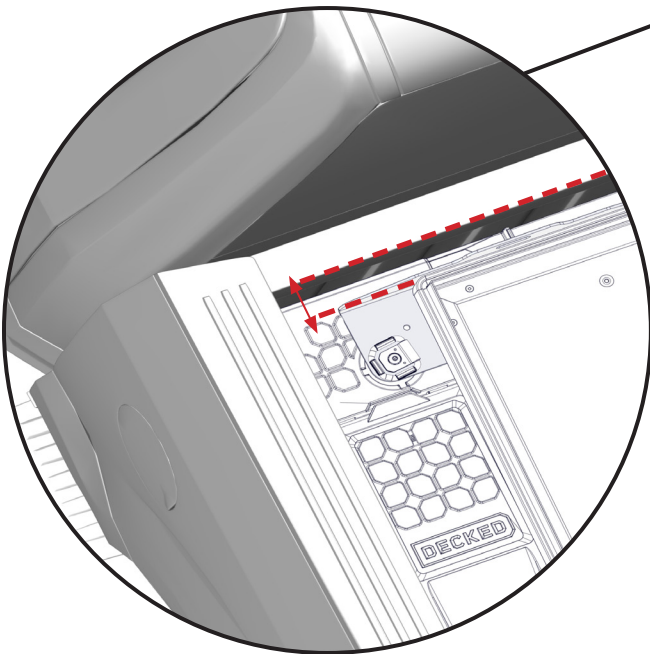
1. Center the CargoGlide frame LEFT TO RIGHT using the deck pattern as a guide.
2. Tighten the 12 nuts on the no-drill bracket pins.
3. Ask your buddy one last time for some help. Reverse the previous steps to reinstall the CargoGlide tray. Carefully latch it in the closed position.
4. Verify CargoGlide fitment: Pull the entire CargoGlide assembly at least 1/2" away from the cabside bulkhead. Close the tailgate fully. Does everything fit the way you want it? Adjust now if needed. Loosen the D-Ring bolts if needed to move the system front to back.
5. Tighten the six D-Ring bolts. Test function.
6. Flex for the neighbors.

CENTER FRAME LEFT TO RIGHT



ADJUST FRONT TO BACK

AT LEAST 1/2" CLEARANCE AT CABSIDE



TIGHTEN AFTER FITMENT IS CONFIRMED

CONGRATS, GAME CHANGER! YOU DID IT.

Crack open a cold one of your liking, sit back and admire your work. Now get busy organizin'!



DECKED PRODUCTS LIMITED LIFETIME WARRANTY (AKA LEGAL MUMBO JUMBO)

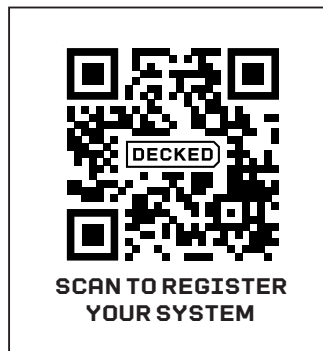
DECKED LLC warrants to the original purchaser of this product that the product will be free from manufacturing defects in workmanship and materials for a period of three (3) years from the date of the original purchase. If within three (3) years from the original date of purchase this product fails due to defect in materials or workmanship, DECKED LLC will replace any defective part at its option.

The original purchaser must contact the DECKED LLC customer service team and provide a description of the defective part, including digital pictures if requested, with the original purchase documentation as validation of warranty coverage or have previously activated their warranty online.

This warranty DOES NOT cover or apply to:

- Damage to the product due to misuse, mishandling and abuse.
- Products not used in accordance with the manufacturer’s instructions or recommendations.
- Product not assembled or installed according to manufacturer’s instructions.
- Normal wear and tear.
- Undeclared damage to the system during shipping, acts of God. In addition, consequential damage and incidental damages (including lost time) such as damage to persons or property are not covered under this warranty.

REGISTER YOUR PRODUCT FOR ANY FUTURE WARRANTY NEEDS. [DECKED.COM/REGISTER](https://decked.com/register)



Register your system at
decked.com/warranty

REGISTER YOUR PRODUCT FOR ANY FUTURE WARRANTY NEEDS.

[DECKED.COM/REGISTER](https://decked.com/register)

Warranty claims must include reciprocal contact information and may be made via certified mail or email to:

DECKED Warranty and Claims
PO Box 885
Ketchum, ID 83340
warranty@decked.com
208-806-0251

PATENTS

MIDSIZE DRAWER SYSTEM:

US10988087B2, 112017005448.6, AU2017348386A1, 3042037

FULL SIZE DRAWER SYSTEM:

US9527454-B2, USD719905 S, US9168874 B2, CA2969118A1

TOOL BOX:

US20210062581A1

DECKED