



RHINO-RACK

Aerodynamic & Heavy Duty Roof Rack Systems

Rhino Sportz SQR Bike Carrier

Place these instructions in the vehicle's glove box after installation is complete.

Important:

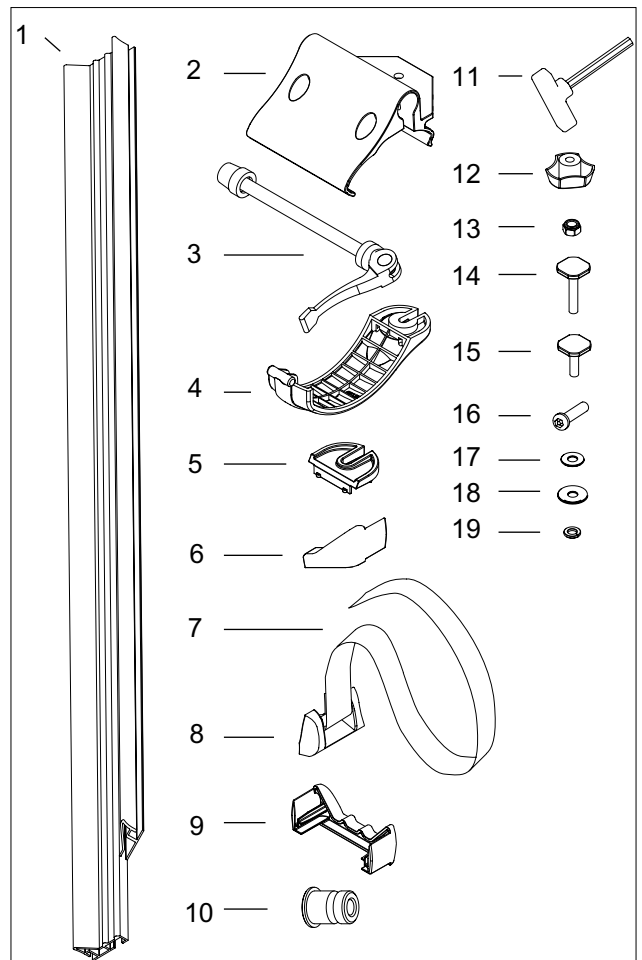
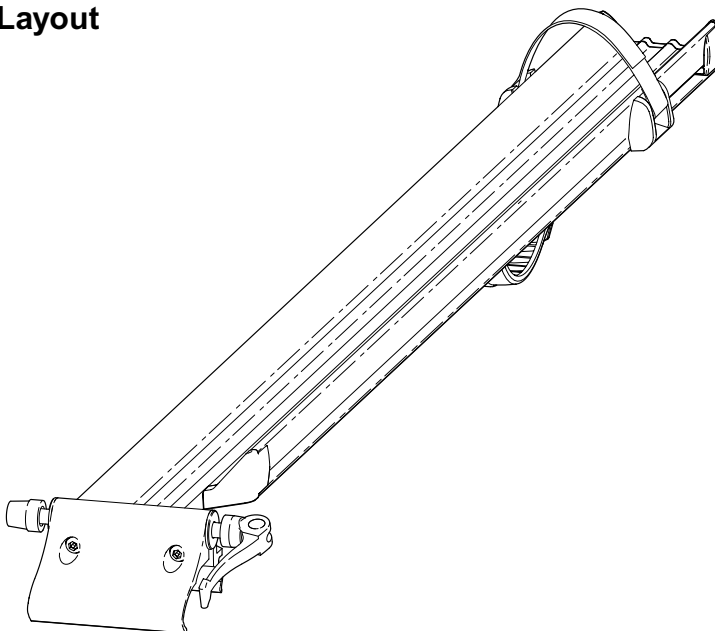
Please read these instructions carefully prior to installation.

Parts List

Important: Check the contents of kit before commencing fitment and report any discrepancies.

Item	Component Name	Qty.	Part No.
1	Bike Rail	1	C209
2	Bicycle Clamp	1	A285
3	9mm Bicycle Skewer	1	C113
4	Rear Bracket	1	M129
5	Rear Bracket Sportz Clip	1	M130
6	Cut out Cap	1	M133
7	Velcro Strap	1	C220
8	Velcro Slide	2	M131
9	End Cap	1	M132
10	Brass Bush	2	C345
11	5mm Allen Key	1	H011/H013
12	M6 Plastic Knob	1	N008
13	M6 Nyloc Nut	1	N013
14	M6 x 35mm T-Bolt	1	B129
15	M6 x 16mm T-Bolt	1	B014
16	M6 x 32mm Security Bolt	2	B064
17	M6 x 12.5mm Flat Washer	2	W003
18	M6 x 16mm Flat Washer	2	W031
19	M6 Spring Washer.	2	W004
20	Instruction Manual	1	RS-41

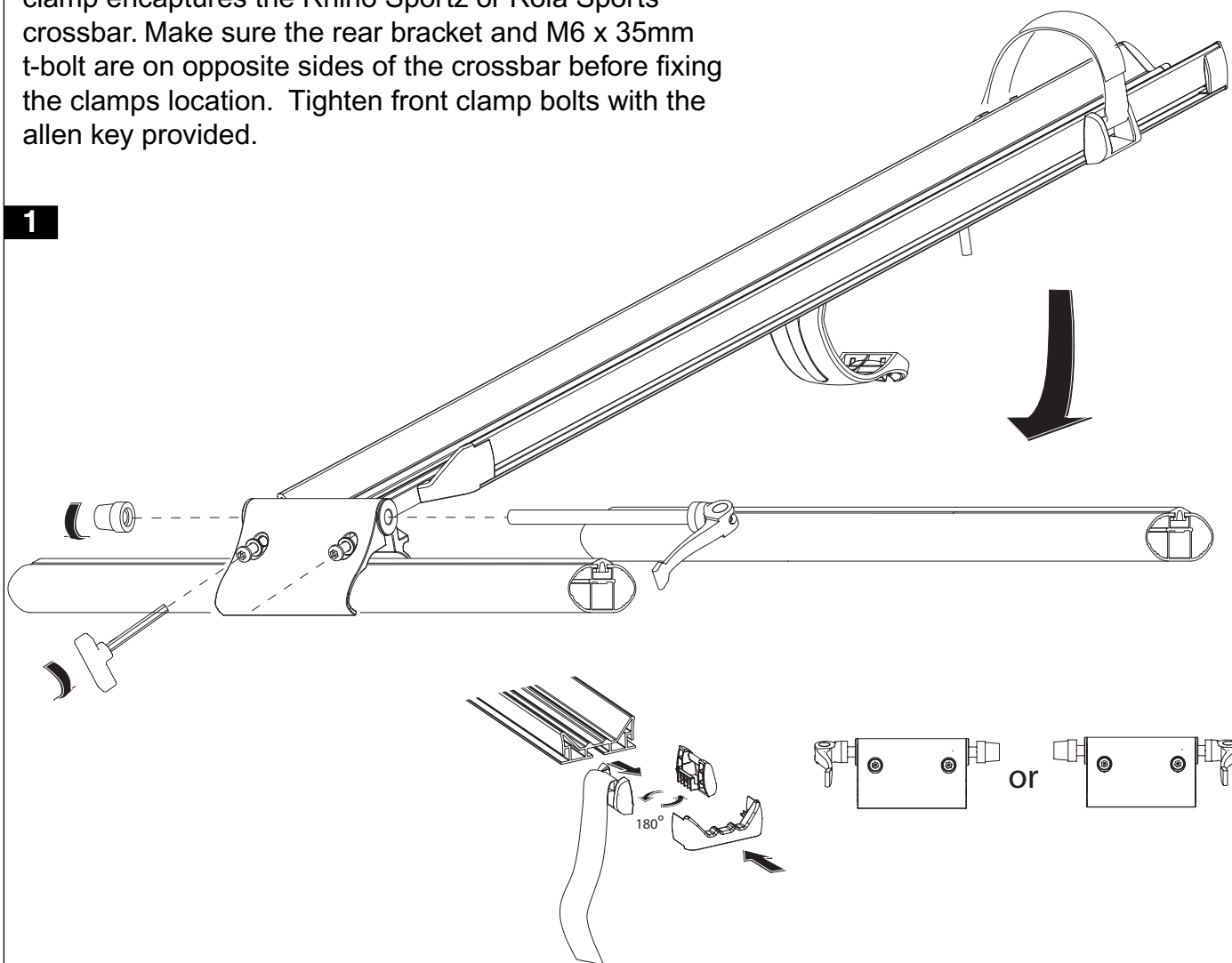
Layout



Insert 9mm bicycle skewer into the bicycle clamp. Note the skewer and velcro strap can be placed either side of the bike carrier for easier access from the side of the vehicle.

Next place the assembled unit at an angle so the bicycle clamp encaptures the Rhino Sportz or Rola Sports crossbar. Make sure the rear bracket and M6 x 35mm t-bolt are on opposite sides of the crossbar before fixing the clamps location. Tighten front clamp bolts with the allen key provided.

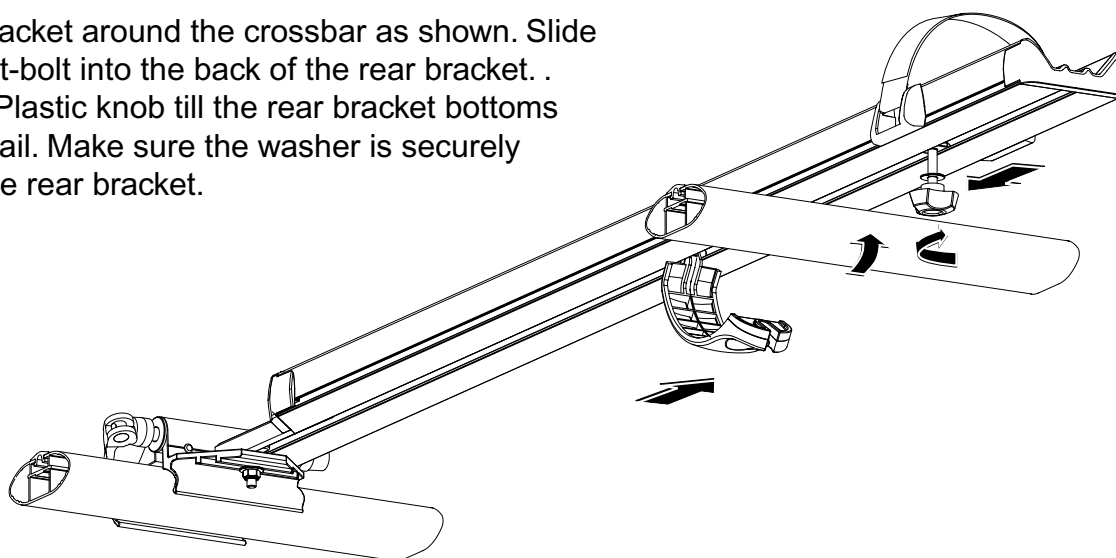
1



Option 2a for Rhino-Rack Sportz Roof-Rack

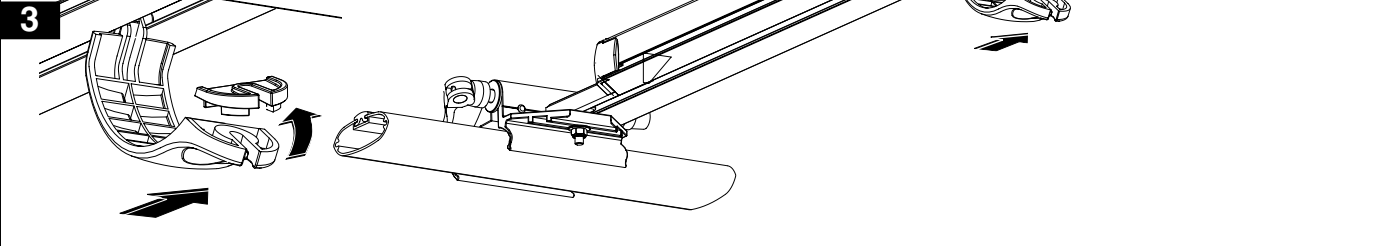
Slide the rear bracket around the crossbar as shown. Slide the M6 x 35mm t-bolt into the back of the rear bracket. Tighten the M6 Plastic knob till the rear bracket bottoms out on the bike rail. Make sure the washer is securely encaptured in the rear bracket.

2



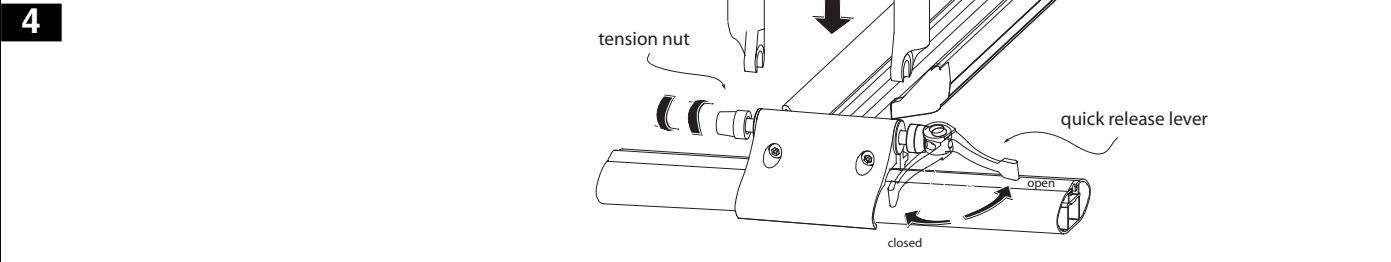
Option 2b for Rola Sports Roof-Rack

Remove the rear bracket Rhino Sportz clip from the rear bracket. Slide the rear bracket around the crossbar as shown. Slide the M6 x 35mm t-bolt into the back of the rear bracket. Tighten the M6 plastic knob till the rear bracket bottoms out on the bike rail. Make sure the washer is securely encaptured in the rear bracket.

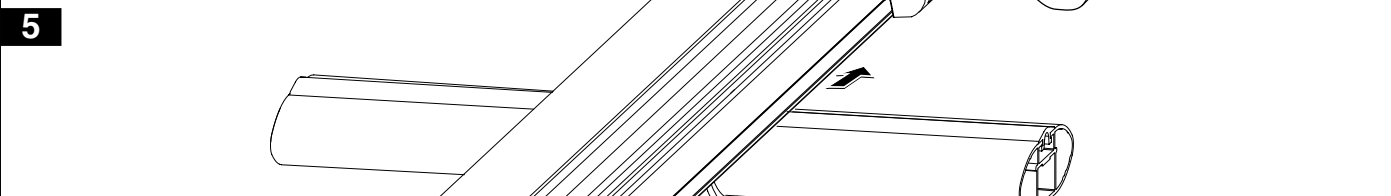


Remove the front wheel from your bike. Next loosen the tension nut, the quick release lever and undo the velcro strap on the bike carrier. Now lift the bicycle onto the bike carrier. Place the rear wheel onto the bike rail then the forks onto the 9mm bike skewer as shown. Leave the quick release lever in the open position. Thread the tension nut till it is firm against the fork. Move the quick release lever to the close position.

Note: If the lever can be easily moved to the close position, this means it is not secured tightly enough. If this is the case move the lever to the open position finger tighten the tension nut, then close the lever again. Repeat this process till sufficient force needs to be applied to close the lever.



To fix the rear wheel to the bike rail first align the velcro slides to the point where the wheel comes into contact with the bike rail. Next feed the velcro strap over the bicycle rim and through the velcro slide on the opposite side as shown. Tension the velcro strap to securely hold the wheel to the rail then lay the strap back on itself to hold the wheel firm.



Important information:

Maximum carrying capacity : Please refer to your vehicle operating manual for maximum roof load rating.

It is essential that all bolt connections are checked after driving a short distance when you first install your Rhino Sportz SQR Bike Carrier. Bolt connections should be checked again at regular intervals (probably once a week is enough, depending on road conditions, usage, loads and distances travelled). You should also check the roof bars each time they are refitted.

Crossbar and accessories should be cleaned and all screw threads should be lubricated at regular intervals. Rhino-Rack offers a 3 year warranty to the original purchaser of the Rhino Sportz SQR Bike Carrier . Rhino-Rack cannot be held responsible for incorrect mounting of the Rhino Sportz SQR Bike Carrier and Accessories or for usage that exceeds vehicle and production tolerances. Make sure to fasten your load securely. Please ensure that all loads are evenly distributed and that the centre of gravity is kept as low as possible.

USE ONLY NON-STRETCH FASTENING ROPES OR STRAPS.

SENSITIVITY TO CROSSWINDS BEHAVIOUR IN CURVES AND BRAKING.

The handling characteristics of the car change when you transport a load on the roof. For safety reasons, we recommend you exercise extreme care when transporting wind resistant loads, special consideration must be taken into account when braking.

PLEASE REMOVE CROSSBARS WHEN PUTTING VEHICLE THROUGH AN AUTOMATIC CAR WASH.

LOAD RATINGS

Please refer to vehicle specific manual for load rating. When roof bars are to be used in extreme off-road conditions please build a safety factor of 1.5 into the load rating. Although roof bars are tested and approved to AS1235-2000, Australian road conditions can be much more rigorous.

Note for dealers and fitters. It is your responsibility to ensure instructions are given to the end user or client.

RHINO - RACK No: 01
Prepared By: Joseph Ormrod Issue No: RS-41
Authorised By: Gary England Issue Date: 16/09/03

Rhino-Rack
3 Pike Street, Rydalmere,
NSW 2116, Australia.
(Ph) (02) 9638 4744
(Fax) (02) 9638 4822