

ARB AIR LOCKER *Air Operated Locking Differentials*

RD85 Isuzu RR,23 SPL,non-LSD

Specs:

Axle Spline 23 tooth, Ø38.1mm [1.50"]
 Ratio Supported All
 Ring Gear ID 154.0mm [6.06"]
 Ring Gear Bolts 12 bolts on Ø180mm [7.09"]

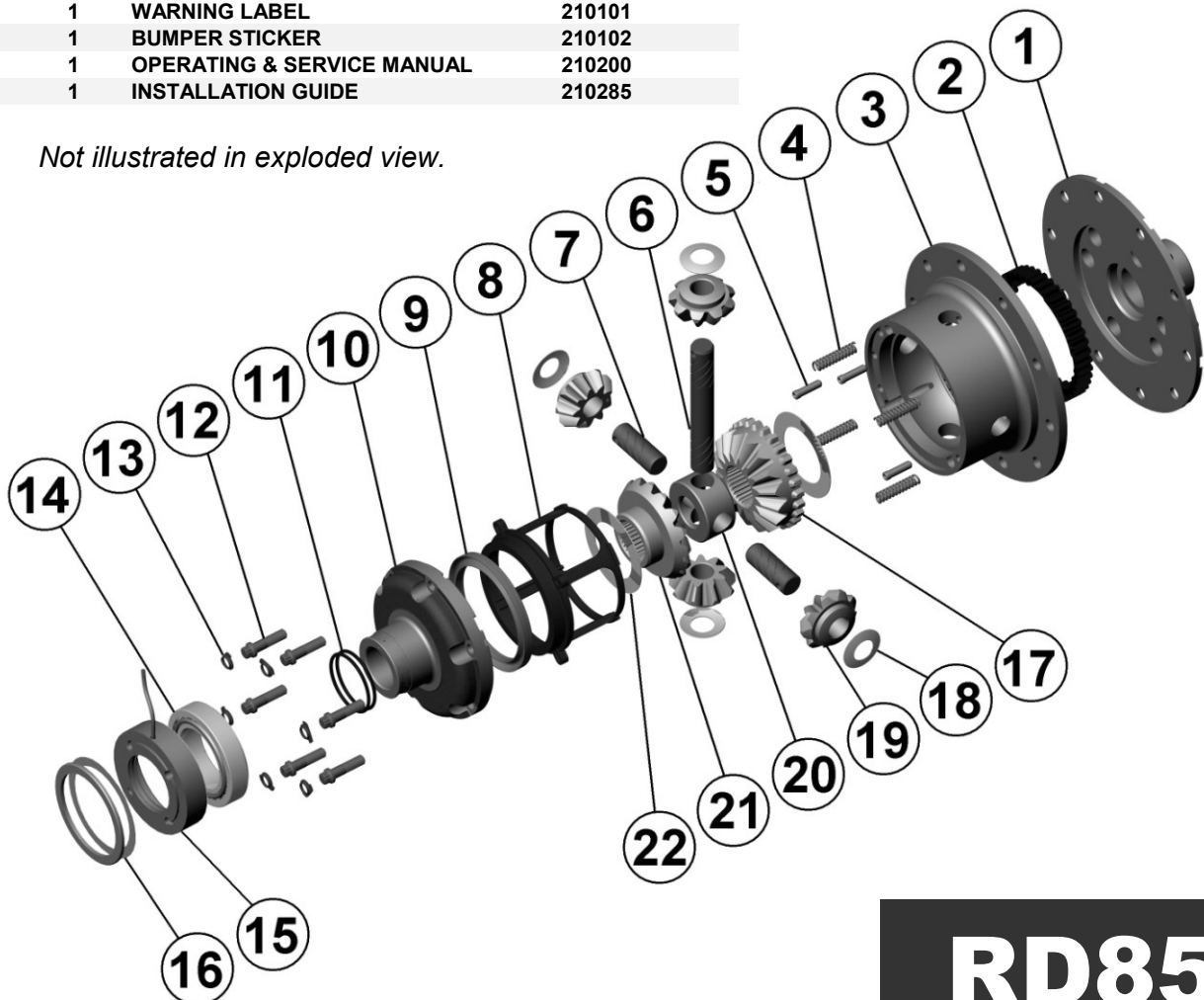
ITEM #	QTY	DESCRIPTION	PART #	NOTES
01	1	FLANGE CAP	021503	
02	1	CLUTCH GEAR	050202	
03	1	DIFFERENTIAL CASE	012702	
04	4	RETURN SPRING	150101	
05	3	CROSS SHAFT RETAINING PIN	120303	
06	1	LONG CROSS SHAFT	060205	
07	2	SHORT CROSS SHAFT	060402	
08	1	PISTON	040202	
09	1	BONDED SEAL	160702	
10	1	CYLINDER CAP	030805	
11	2	SEAL HOUSING O-RING	160227	1
12	8	CYLINDER CAP RETAINING BOLT	200205	
13	8	LOCKING TAB (8mm)	150401	
14	1	TAPERED ROLLER BEARING	160115	2
15	1	SEAL HOUSING	080705	
16	1	SHIM KIT	SHK001	
*	1	MASTER SHIM	150330	
17	1	SPLINED SIDE GEAR	SEE NOTE	3
18	4	PINION THRUST WASHER	151102	
19	4	PINION GEAR	SEE NOTE	3
20	1	SPIDER BLOCK	070201	
21	1	SIDE GEAR	SEE NOTE	3
22	2	SIDE GEAR THRUST WASHER	151006	
*	1	BULKHEAD FITTING KIT (O-RING TYPE)	170111	
*	1	PUSH-IN FITTING (5mm to 1/8" BSPP)	170201	
*	1	AIR LINE (5mm DIA X 6m LONG)	170301	
*	1	NIPPLE (1/8" to 1/8" BSPT)	170501	
*	1	SOLENOID VALVE (12V)	180103	
*	1	SWITCH	180209	
*	1	SWITCH COVER (REAR)	180211	
*	10	CABLE TIE	180301	
*	1	WARNING LABEL	210101	
*	1	BUMPER STICKER	210102	
*	1	OPERATING & SERVICE MANUAL	210200	
*	1	INSTALLATION GUIDE	210285	

Notes:

- 1 For replacement O-rings use only BS138 Viton 75.
- 2 For replacement bearing use Timken part # LM806649 / LM806610.

Only suits non-LSD models with small carrier bearing - OD 96.84mm [3.813"].
- 3 Available only as complete 6 gear set # 728A101

* Not illustrated in exploded view.



RD85

